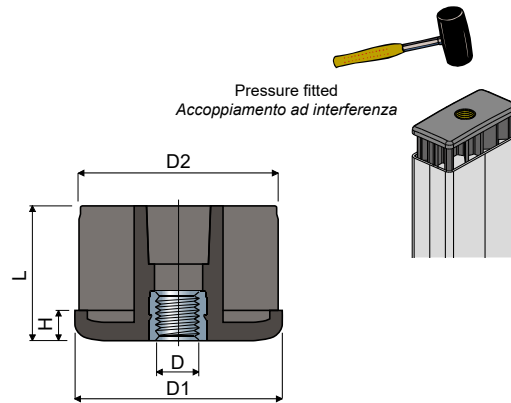




 TP1 Pag.B-3	 TP2 Pag.B-4	 TP3 Pag.B-7	 TP4 Pag.B-9	 TP5 Pag.B-10	 U16 Pag.B-11	 U17 Pag.B-11
 U21 Pag.B-11	 PF1 Pag.B-12	 PF2 Pag.B-12	 PF3/PFX3 Pag.B-13	 PF4/PFX4 Pag.B-13	 PS1 Pag.B-14	 PS2 Pag.B-14
 PS3 Pag.B-15	 PS4 Pag.B-15	 Part.PS13/PSX13 Pag.B-16	 PS5/PSX5 Pag.B-17	 PS6/PSX6 Pag.B-18	 PS7/PSX7 Pag.B-19	 PS8/PSX8 Pag.B-20
 PS9/PSX9 Pag.B-21	 PS10/PSX10 Pag.B-22	 PS11/PSX11 Pag.B-23	 PS12/PSX12 Pag.B-24	 PS14/PSX14 Pag.B-25	 PO1/POX1 Pag.B-26	 PO2/POX2 Pag.B-27
 PO3/POX3 Pag.B-28	 PO4/POX4 Pag.B-29	 PO23/POX23 Pag.B-30	 DT1 Pag.B-31	 DT2 Pag.B-31	 U28 Pag.B-31	 PO5 Pag.B-32
 PO19/POX19 Pag.B-32	 PO6/POX6 Pag.B-33	 PO7/POX7 Pag.B-34	 PO8/POX8 Pag.B-35	 PO9/POX9 Pag.B-36	 PO10/POX10 Pag.B37	 PO11/POX11 Pag.B-38
 PO24 Pag.B-39	 PO25 Pag.B-40	 PO12 Pag.B-41	 PO14 Pag.B-42	 PO20 Pag.B-43	 PO21 Pag.B-44	 PO16 Pag.B-45
 PO26 Pag.B-46	 PO27 Pag.B-47	 PO13 Pag.B-48	 PO15 Pag.B-49	 PO28 Pag.B-50	 PO29 Pag.B-51	 PO17 Pag.B-52
 PO30 Pag.B-53						

**Threaded bushing (for rectangular tubes) - Part. TP1**  
**Tappi filettati (per tubi rettangolari) - Part. TP1**



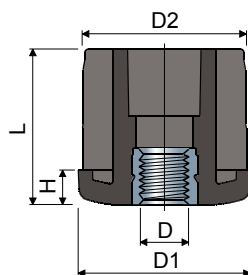
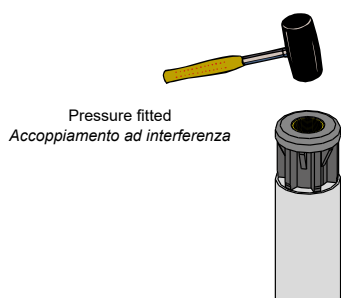
Tube dimensions/Dimensioni tubo				Thread Filetto	D1	D2	H	L	Type Tipo	Code Codice	Max static load Carico statico (N)
Outside Esterno (mm)	Thickness Spessore (mm)	Inside Interno (mm)	D								
20x50	2	16x46	M8	20x50	16x46	5	38	TP1A	CP001488	4500	
			M8	30x60	25x55	8	38	TP1B	CP001489	4500	
30x60	2,5	25x55	M10	30x60	25x55	8	38	TP1C	CP001490	5000	
			M12	30x60	25x55	8	38	TP1D	CP001491	5500	
			M14	30x60	25x55	8	38	TP1E	CP001492	6000	
			M16	30x60	25x55	8	38	TP1F	CP001493	6500	
40x60	2	36x56	M14	40x60	36x56	10	45	TP1K	CPA01488	8500	
			M16	40x60	36x56	10	45	TP1J	CPA01489	9000	
			M20	40x60	36x56	10	45	TP1AA	CPA01490	9500	
40x80	1,5	37x77	M14	40x80	37x77	10	45	TP1AB	CPA01491	8500	
			M16	40x80	37x77	10	45	TP1AC	CPA01492	9000	
	2	36x76	M20	40x80	37x77	10	45	TP1AD	CPA01493	9500	
			M14	40x80	36x76	10	45	TP1G	CP001494	8500	
40x80	2	36x76	M16	40x80	36x76	10	45	TP1H	CP001495	9000	
			M20	40x80	36x76	10	45	TP1I	CP001496	9500	
	3	34x74	M14	40x80	34x74	10	45	TP1L	CP001497	8500	
			M16	40x80	34x74	10	45	TP1M	CP001498	9000	
			M20	40x80	34x74	10	45	TP1N	CP001499	9500	
											M14
50x100	2	46x96	M16	50x100	46x96	10	45	TP1P	CP001501	9000	
			M20	50x100	46x96	10	45	TP1Q	CP001502	9500	
			M14	50x100	44x94	10	45	TP1R	CP001503	9000	
50x100	3	44x94	M16	50x100	44x94	10	45	TP1S	CP001504	9500	
			M20	50x100	44x94	10	45	TP1T	CP001505	10000	
											M14
50x150	3	44x144	M16	50x150	44x144	10	45	TP1V	CP001507	9500	
			M20	50x150	44x144	10	45	TP1Z	CP001508	10000	
											M14
60x120	3	54x114	M16	60x120	54x114	10	45	TP1X	CP001510	9500	
			M20	60x120	54x114	10	45	TP1Y	CP001511	10000	
											M14

**MATERIAL:** Bush in reinforced polyamide black colour; threaded insert in nickel plated brass.

**MATERIAL:** Tappo in poliammide rinforzata colore nero, inserto filettato in ottone nichelato.

## Threaded bushing (for round tubes) - Part. TP2

### Tappi filettati (per tubi tondi) - Part. TP2



Tube dimensions/Dimensioni tubo

Outside ø ø esterno	Thickness Spessore	Inside ø ø interno	Thread Filetto	D1	D2	H	L	Type Tipo	Code Codice	Max static load Carico statico					
(mm)	(inches)	(mm)	D	(mm)	(mm)	(mm)	(mm)			(N)					
20	-	2	16	M8	20	16	5	23	TP2AF8	CPA01512	4500				
				M8	25	21	5	25	TP2W8	CPA01513	4500				
25	-	2	21	M10	25	21	6	26	TP2W10	CPA01514	5000				
				M12	25	21	6	26	TP2W12	CPA01515	5500				
				M8	30	28	6	31	TP2A8	CP001512	4500				
30	-	1	28	M10	30	28	6	31	TP2A10	CP001513	5000				
				M12	30	28	6	31	TP2A12	CP001514	5500				
				M14	30	28	6	31	TP2A14	CP001515	6000				
				M16	30	28	6	31	TP2A16	CP001516	6500				
				M8	30	27	6	31	TP2B8	CP001517	4500				
				M10	30	27	6	31	TP2B10	CP001518	5000				
				M12	30	27	6	31	TP2B12	CP001519	5500				
30	-	1,5	27	M14	30	27	6	31	TP2B14	CP001520	6000				
				M16	30	27	6	31	TP2B16	CP001521	6500				
				M8	30	26	6	31	TP2C8	CP001522	4500				
				M10	30	26	6	31	TP2C10	CP001523	5000				
				M12	30	26	6	31	TP2C12	CP001524	5500				
				M14	30	26	6	31	TP2C14	CP001525	6000				
				M16	30	26	6	31	TP2C16	CP001526	6500				
30	-	2	26	M8	30	26	6	31	TP2D8	CP001527	4500				
				M10	30	26	6	31	TP2D10	CP001528	5000				
				M12	30	26	6	31	TP2D12	CP001529	5500				
				M14	30	26	6	31	TP2D14	CP001530	6000				
				M16	30	26	6	31	TP2D16	CP001531	6500				
				32	-	2	28	M8	30	25	6	31	TP2D8	CP001527	4500
								M10	30	25	6	31	TP2D10	CP001528	5000
M12	30	25	6					31	TP2D12	CP001529	5500				
M14	30	25	6					31	TP2D14	CP001530	6000				
M16	30	25	6					31	TP2D16	CP001531	6500				
32	-	2	28					M8	32	28	6	31	TP2X8	CPA01516	4500
								M10	32	28	6	31	TP2X10	CPA01517	5000
				M12	32	28	6	31	TP2X12	CPA01518	5500				
33,7	-	1,5	30,7	M8	33,7	30,7	6	31	TP2Y8	CPA01519	4500				
				M10	33,7	30,7	6	31	TP2Y10	CPA01520	5000				
				M12	33,7	30,7	6	31	TP2Y12	CPA01521	5500				
35	-	2	31	M8	35	31	6	31	TP2K8	CPA01522	4500				
				M10	35	31	6	31	TP2K10	CPA01523	5000				
				M12	35	31	6	31	TP2K12	CPA01524	5500				
				M8	38	35	8	38	TP2E8	CP001532	4500				
				M10	38	35	8	38	TP2E10	CP001533	5000				
				M12	38	35	8	38	TP2E12	CP001534	5500				
				M14	38	35	8	38	TP2E14	CP001535	6000				
38	-	1,5	35	M16	38	35	8	38	TP2E16	CP001536	6500				
				M8	38	34	8	38	TP2F8	CP001537	4500				
				M10	38	34	8	38	TP2F10	CP001538	5000				
				M12	38	34	8	38	TP2F12	CP001539	5500				
				M14	38	34	8	38	TP2F14	CP001540	6000				
				M16	38	34	8	38	TP2F16	CP001541	6500				
				38	-	2	34	M8	38	34	8	38	TP2G8	CP001542	4500
M10	38	34	8					38	TP2G10	CP001543	5000				
M12	38	34	8					38	TP2G12	CP001544	5500				
M14	38	34	8					38	TP2G14	CP001545	6000				
M16	38	34	8					38	TP2G16	CP001546	6500				
40	-	3	34					M8	40	34	8	38	TP2J8	CPA01525	4500
								M10	40	34	8	38	TP2J10	CPA01526	5000
				M12	40	34	8	38	TP2J12	CPA01527	5500				
42	-	3	36	M8	42	36	8	38	TP2AA8	CPA01528	5000				
				M10	42	36	8	38	TP2AA10	CPA01529	5000				
				M12	42	36	8	38	TP2AA12	CPA01530	5500				


**MATERIAL:** Bush in reinforced polyamide black colour; threaded insert in nickel plated brass.


**MATERIAL:** Tappo in poliammide rinforzata colore nero, inserto filettato in ottone nichelato.

**Threaded bushing (for round tubes) - Part. TP2**

**Tappi filettati (per tubi tondi) - Part. TP2**

Tube dimensions/Dimensioni tubo				Thread Filetto	D1	D2	H	L	Type Tipo	Code Codice	Max static load Carico statico (N)	
Outside ø ø esterno	Thickness Spessore	Inside ø ø interno	D									
(mm)	(inches)	(mm)	(mm)	(mm)	(mm)	(mm)	(mm)	(mm)				
42,4	11/4	1,5	39,4	M8	42,4	39,4	8	38	TP2H8	CP001547	6500	
				M10	42,4	39,4	8	38	TP2H10	CP001548	7000	
				M12	42,4	39,4	8	38	TP2H12	CP001549	7500	
				M14	42,4	39,4	8	38	TP2H14	CP001550	8000	
				M16	42,4	39,4	8	38	TP2H16	CP001551	8500	
		M20	42,4	39,4	8	38	TP2H20	CP001552	9000			
		M8	42,4	38,4	8	38	TP2I8	CP001553	6500			
		M10	42,4	38,4	8	38	TP2I10	CP001554	7000			
		M12	42,4	38,4	8	38	TP2I12	CP001555	7500			
		M14	42,4	38,4	8	38	TP2I14	CP001556	8000			
	M16	42,4	38,4	8	38	TP2I16	CP001557	8500				
	M20	42,4	38,4	8	38	TP2I20	CP001558	9000				
	M8	42,4	37,4	8	38	TP2L8	CP001559	6500				
	M10	42,4	37,4	8	38	TP2L10	CP001560	7000				
	M12	42,4	37,4	8	38	TP2L12	CP001561	7500				
	M14	42,4	37,4	8	38	TP2L14	CP001562	8000				
	M16	42,4	37,4	8	38	TP2L16	CP001563	8500				
	M20	42,4	37,4	8	38	TP2L20	CP001564	9000				
	45	-	3	39	M8	45	39	8	38	TP2AB8	CPA01531	6500
					M10	45	39	8	38	TP2AB10	CPA01532	7000
M12					45	39	8	38	TP2AB12	CPA01533	7500	
M14					45	39	8	38	TP2AB14	CPA01534	8000	
M16					45	39	8	38	TP2AB16	CPA01535	8500	
48	-	3	42	M8	48	42	10	45	TP2AC8	CPA01536	7000	
				M10	48	42	10	45	TP2AC10	CPA01537	7500	
				M12	48	42	10	45	TP2AC12	CPA01538	8000	
				M14	48	42	10	45	TP2AC14	CPA01539	8500	
				M16	48	42	10	45	TP2AC16	CPA01540	9000	
48,3	11/2	1,2	45,8	M14	48,3	45,8	10	45	TP2AD14	CPA01541	8500	
				M16	48,3	45,8	10	45	TP2AD16	CPA01542	9000	
				M8	48,3	45,3	10	45	TP2M8	CP001565	7000	
				M10	48,3	45,3	10	45	TP2M10	CP001566	7500	
				M12	48,3	45,3	10	45	TP2M12	CP001567	8000	
		M14	48,3	45,3	10	45	TP2M14	CP001568	8500			
		M16	48,3	45,3	10	45	TP2M16	CP001569	9000			
		M20	48,3	45,3	10	45	TP2M20	CP001570	9500			
		M8	48,3	44,3	10	45	TP2N8	CP001571	7000			
		M10	48,3	44,3	10	45	TP2N10	CP001572	7500			
	M12	48,3	44,3	10	45	TP2N12	CP001573	8000				
	M14	48,3	44,3	10	45	TP2N14	CP001574	8500				
	M16	48,3	44,3	10	45	TP2N16	CP001575	9000				
	M20	48,3	44,3	10	45	TP2N20	CP001576	9500				
	M8	48,3	43,3	10	45	TP2O8	CP001577	7000				
	M10	48,3	43,3	10	45	TP2O10	CP001578	7500				
	M12	48,3	43,3	10	45	TP2O12	CP001579	8000				
	M14	48,3	43,3	10	45	TP2O14	CP001580	8500				
	M16	48,3	43,3	10	45	TP2O16	CP001581	9000				
	M20	48,3	43,3	10	45	TP2O20	CP001582	9500				
50	-	1,5	47	M8	50	47	10	45	TP2P8	CP001583	7000	
				M10	50	47	10	45	TP2P10	CP001584	7500	
				M12	50	47	10	45	TP2P12	CP001585	8000	
				M14	50	47	10	45	TP2P14	CP001586	8500	
				M16	50	47	10	45	TP2P16	CP001587	9000	
		M20	50	47	10	45	TP2P20	CP001588	9500			
		M8	50	44	10	45	TP2AE8	CPA01543	7000			
		M10	50	44	10	45	TP2AE10	CPA01544	7500			
		M12	50	44	10	45	TP2AE12	CPA01545	8000			
		M14	50	44	10	45	TP2AE14	CPA01546	8500			
	M16	50	44	10	45	TP2AE16	CPA01547	9000				
	M20	50	44	10	45	TP2AE20	CPA01548	9500				

 **MATERIAL:** Bush in reinforced polyamide black colour; threaded insert in nickel plated brass.

 **MATERIALI:** Tappo in poliammide rinforzata colore nero, insertio filettato in ottone nichelato.

## Threaded bushing (for round tubes) - Part. TP2

### Tappi filettati (per tubi tondi) - Part. TP2

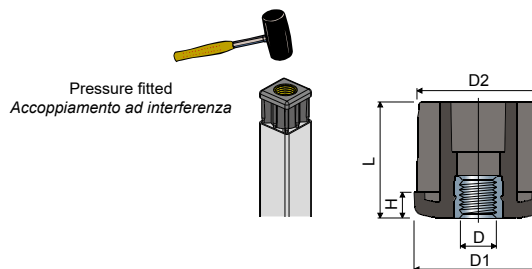
Tube dimensions/Dimensioni tubo								Type Tipo	Code Codice	Max static load Carico statico (N)		
Outside ø ø esterno	Thickness Spessore	Inside ø ø interno	Thread Filetto	D1	D2	H	L					
(mm)	(inches)	(mm)	D	(mm)	(mm)	(mm)	(mm)					
50,9	-	1,5	47,9	M8	50,9	47,9	10	45	TP2Q8	CP001589	7000	
				M10	50,9	47,9	10	45	TP2Q10	CP001590	7500	
				M12	50,9	47,9	10	45	TP2Q12	CP001591	8000	
				M14	50,9	47,9	10	45	TP2Q14	CP001592	8500	
				M16	50,9	47,9	10	45	TP2Q16	CP001593	9000	
				M20	50,9	47,9	10	45	TP2Q20	CP001594	9500	
		-	2	46,9	M8	50,9	46,9	10	45	TP2R8	CP001595	7000
					M10	50,9	46,9	10	45	TP2R10	CP001596	7500
					M12	50,9	46,9	10	45	TP2R12	CP001597	8000
					M14	50,9	46,9	10	45	TP2R14	CP001598	8500
					M16	50,9	46,9	10	45	TP2R16	CP001599	9000
					M20	50,9	46,9	10	45	TP2R20	CP001600	9500
	-	2,5	45,9	M8	50,9	45,9	10	45	TP2S8	CP001601	7000	
				M10	50,9	45,9	10	45	TP2S10	CP001602	7500	
				M12	50,9	45,9	10	45	TP2S12	CP001603	8000	
				M14	50,9	45,9	10	45	TP2S14	CP001604	8500	
				M16	50,9	45,9	10	45	TP2S16	CP001605	9000	
				M20	50,9	45,9	10	45	TP2S20	CP001606	9500	
	60,3	-	1,2	57,9	M8	60,3	57,9	12	52	TP2Z8	CPA01549	7000
					M10	60,3	57,9	12	52	TP2Z10	CPA01550	7500
					M12	60,3	57,9	12	52	TP2Z12	CPA01551	8000
					M14	60,3	57,9	12	52	TP2Z14	CPA01552	8500
					M16	60,3	57,9	12	52	TP2Z16	CPA01553	9000
					M20	60,3	57,9	12	52	TP2Z20	CPA01554	9500
-			1,5	57,3	M8	60,3	57,3	12	52	TP2T8	CP001607	7000
					M10	60,3	57,3	12	52	TP2T10	CP001608	7500
					M12	60,3	57,3	12	52	TP2T12	CP001609	8000
					M14	60,3	57,3	12	52	TP2T14	CP001610	8500
					M16	60,3	57,3	12	52	TP2T16	CP001611	9000
					M20	60,3	57,3	12	52	TP2T20	CP001612	9500
2			-	56,3	M24	60,3	57,3	12	52	TP2T24	CP001613	10000
					M8	60,3	56,3	12	52	TP2U8	CP001614	7000
					M10	60,3	56,3	12	52	TP2U10	CP001615	7500
					M12	60,3	56,3	12	52	TP2U12	CP001616	8000
					M14	60,3	56,3	12	52	TP2U14	CP001617	8500
					M16	60,3	56,3	12	52	TP2U16	CP001618	9000
		-	2	56,3	M20	60,3	56,3	12	52	TP2U20	CP001619	9500
					M24	60,3	56,3	12	52	TP2U24	CP001620	10000
					M8	60,3	55,3	12	52	TP2V8	CP001621	7000
					M10	60,3	55,3	12	52	TP2V10	CP001622	7500
					M12	60,3	55,3	12	52	TP2V12	CP001623	8000
					M14	60,3	55,3	12	52	TP2V14	CP001624	8500
		-	2,5	55,3	M16	60,3	55,3	12	52	TP2V16	CP001625	9000
					M20	60,3	55,3	12	52	TP2V20	CP001626	9500
					M24	60,3	55,3	12	52	TP2V24	CP001627	10000

**MATERIAL:** Bush in reinforced polyamide black colour; threaded insert in nickel plated brass.

**MATERIALI:** Tappo in poliammide rinforzata colore nero, insertio filettato in ottone nichelato.



**Threaded bushing (for square tubes) - Part. TP3**  
**Tappi filettati (per tubi quadrati) - Part. TP3**



Tube dimensions/Dimensioni tubo

Outside <i>Esterno</i>	Thickness <i>Spessore</i>	Inside <i>Interno</i>	Thread <i>Filetto</i>	D1	D2	H	L	Type <i>Tipo</i>	Code <i>Codice</i>	Max static load <i>Carico statico</i>			
(mm)	(mm)	(mm)	D	(mm)	(mm)	(mm)	(mm)			(N)			
20	1,5	17	M8	20	17	5	23	TP3A	CP001628	4500			
	2	16	M8	20	16	5	23	TP3A8	CPA01628	4500			
25	1,5	22	M8	25	22	6	26	TP3B8	CP001629	4500			
			M10	25	22	6	26	TP3B10	CP001630	5000			
			M12	25	22	6	26	TP3B12	CP001631	5500			
	2	21	M8	25	21	6	26	TP3V8	CPA01629	4500			
			M10	25	21	6	26	TP3V10	CPA01630	5000			
			M12	25	21	6	26	TP3V12	CPA01631	5500			
30	1,5	27	M8	30	27	6	31	TP3C8	CP001632	4500			
			M10	30	27	6	31	TP3C10	CP001633	5000			
			M12	30	27	6	31	TP3C12	CP001634	5500			
			M14	30	27	6	31	TP3C14	CP001635	6000			
			M16	30	27	6	31	TP3C16	CP001636	6500			
	2	26	M8	30	26	6	31	TP3D8	CP001637	4500			
			M10	30	26	6	31	TP3D10	CP001638	5000			
			M12	30	26	6	31	TP3D12	CP001639	5500			
			M14	30	26	6	31	TP3D14	CP001640	6000			
			M16	30	26	6	31	TP3D16	CP001641	6500			
35	1,5	32	M8	35	32	8	38	TP3E8	CP001642	6500			
			M10	35	32	8	38	TP3E10	CP001643	7000			
			M12	35	32	8	38	TP3E12	CP001644	7500			
			M14	35	32	8	38	TP3E14	CP001645	8000			
			M16	35	32	8	38	TP3E16	CP001646	8500			
			M20	35	32	8	38	TP3E20	CP001647	9000			
			M8	35	31	8	38	TP3F8	CP001648	6500			
	2	31	M10	35	31	8	38	TP3F10	CP001649	7000			
			M12	35	31	8	38	TP3F12	CP001650	7500			
			M14	35	31	8	38	TP3F14	CP001651	8000			
			M16	35	31	8	38	TP3F16	CP001652	8500			
			M20	35	31	8	38	TP3F20	CP001653	9000			
			40	1,2	37,6	M8	40	37,6	8	38	TP3G8	CP001654	7000
						M10	40	37,6	8	38	TP3G10	CP001655	7500
M12	40	37,6				8	38	TP3G12	CP001656	8000			
M14	40	37,6				8	38	TP3G14	CP001657	8500			
M16	40	37,6				8	38	TP3G16	CP001658	9000			
M20	40	37,6				8	38	TP3G20	CP001659	9500			
M8	40	37				8	38	TP3H8	CP001660	7000			
1,5	37	M10		40	37	8	38	TP3H10	CP001661	7500			
		M12		40	37	8	38	TP3H12	CP001662	8000			
		M14		40	37	8	38	TP3H14	CP001663	8500			
		M16		40	37	8	38	TP3H16	CP001664	9000			
		M20		40	37	8	38	TP3H20	CP001665	9500			
		2		36	M8	40	36	8	38	TP3I8	CP001666	7000	
					M10	40	36	8	38	TP3I10	CP001667	7500	
M12	40		36		8	38	TP3I12	CP001668	8000				
M14	40		36		8	38	TP3I14	CP001669	8500				
M16	40		36		8	38	TP3I16	CP001670	9000				
M20	40		36		8	38	TP3I20	CP001671	9500				
2,5	35		M8		40	35	8	38	TP3L8	CP001672	7000		
		M10	40	35	8	38	TP3L10	CP001673	7500				
		M12	40	35	8	38	TP3L12	CP001674	8000				
		M14	40	35	8	38	TP3L14	CP001675	8500				
		M16	40	35	8	38	TP3L16	CP001676	9000				
		M20	40	35	8	38	TP3L20	CP001677	9500				

**MATERIAL:** Bush in reinforced polyamide black colour; threaded insert in nickel plated brass.

**MATERIALI:** Tappo in poliammide rinforzata colore nero, inserto filettato in ottone nichelato.

## Threaded bushing (for square tubes) - Part. TP3 Tappi filettati (per tubi quadri) - Part. TP3

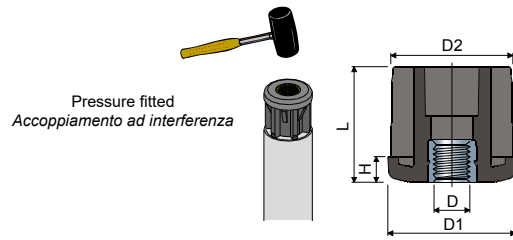
Tube dimensions/Dimensioni tubo			Thread Filetto	D1 (mm)	D2 (mm)	H (mm)	L (mm)	Type Tipo	Code Codice	Max static load Carico statico (N)
Outside Esterno (mm)	Thickness Spessore (mm)	Inside Interno (mm)								
40	3	34	M8	40	34	8	38	TP3Z8	CPA01632	7000
			M10	40	34	8	38	TP3Z10	CPA01633	7500
			M12	40	34	8	38	TP3Z12	CPA01634	8000
			M14	40	34	8	38	TP3Z14	CPA01635	8500
			M16	40	34	8	38	TP3Z16	CPA01636	9000
45	2	41	M8	45	41	8	38	TP3M8	CP001678	7000
			M10	45	41	8	38	TP3M10	CP001679	7500
			M12	45	41	8	38	TP3M12	CP001680	8000
			M14	45	41	8	38	TP3M14	CP001681	8500
			M16	45	41	8	38	TP3M16	CP001682	9000
45	3	39	M20	45	41	8	38	TP3Z20	CPA01637	9500
			M8	45	39	8	38	TP3W8	CPA01638	7000
			M10	45	39	8	38	TP3W10	CPA01639	7500
			M12	45	39	8	38	TP3W12	CPA01640	8000
			M14	45	39	8	38	TP3W14	CPA01641	8500
50	1,2	47,6	M16	45	39	8	38	TP3W16	CPA01642	9000
			M20	45	39	8	38	TP3W20	CPA01643	9500
			M8	50	47,6	10	45	TP3N8	CP001684	7000
			M10	50	47,6	10	45	TP3N10	CP001685	7500
			M12	50	47,6	10	45	TP3N12	CP001686	8000
50	1,5	47	M14	50	47,6	10	45	TP3N14	CP001687	8500
			M16	50	47,6	10	45	TP3N16	CP001688	9000
			M20	50	47,6	10	45	TP3N20	CP001689	9500
			M8	50	47	10	45	TP3O8	CP001690	7000
			M10	50	47	10	45	TP3O10	CP001691	7500
50	2	46	M12	50	47	10	45	TP3O12	CP001692	8000
			M14	50	47	10	45	TP3O14	CP001693	8500
			M16	50	47	10	45	TP3O16	CP001694	9000
			M20	50	47	10	45	TP3O20	CP001695	9500
			M8	50	46	10	45	TP3P8	CP001696	7000
60	2,5	45	M10	50	46	10	45	TP3P10	CP001697	7500
			M12	50	46	10	45	TP3P12	CP001698	8000
			M14	50	46	10	45	TP3P14	CP001699	8500
			M16	50	46	10	45	TP3P16	CP001700	9000
			M20	50	46	10	45	TP3P20	CP001701	9500
60	3	44	M8	50	45	10	45	TP3Q8	CP001702	7000
			M10	50	45	10	45	TP3Q10	CP001703	7500
			M12	50	45	10	45	TP3Q12	CP001704	8000
			M14	50	45	10	45	TP3Q14	CP001705	8500
			M16	50	45	10	45	TP3Q16	CP001706	9000
60	2	56	M20	50	45	10	45	TP3Q20	CP001707	9500
			M8	60	56	10	45	TP3R8	CP001708	7000
			M10	60	56	10	45	TP3R10	CP001709	7500
			M12	60	56	10	45	TP3R12	CP001710	8000
			M14	60	56	10	45	TP3R14	CP001711	8500
80	3	74	M16	50	44	10	45	TP3R16	CP001712	9000
			M20	50	44	10	45	TP3R20	CP001713	9500
			M8	60	56	10	45	TP3S8	CP001714	7000
			M10	60	56	10	45	TP3S10	CP001715	7500
			M12	60	56	10	45	TP3S12	CP001716	8000
80	3	54	M14	60	56	10	45	TP3S14	CP001717	8500
			M16	60	56	10	45	TP3S16	CP001718	9000
			M20	60	56	10	45	TP3S20	CP001719	9500
			M8	60	54	10	45	TP3T8	CP001720	7000
			M10	60	54	10	45	TP3T10	CP001721	7500
80	3	74	M12	60	54	10	45	TP3T12	CP001722	8000
			M14	60	54	10	45	TP3T14	CP001723	8500
			M16	60	54	10	45	TP3T16	CP001724	9000
80	3	74	M20	60	54	10	45	TP3T20	CP001725	9500
			M14	80	74	10	45	TP3X14	CPA01644	8500
80	3	74	M16	80	74	10	45	TP3U16	CP001726	9000
			M20	80	74	10	45	TP3U20	CP001727	9500

**MATERIAL:** Bush in reinforced polyamide black colour; threaded insert in nickel plated brass.

**MATERIALI:** Tappo in poliammide rinforzata colore nero, inserto filettato in ottone nichelato.



**Threaded bushing (for round tubes:sizes and threads in inches) - Part. TP4**  
**Tappi filettati (per tubi tondi:dimensioni e filetti in pollici) - Part. TP4**



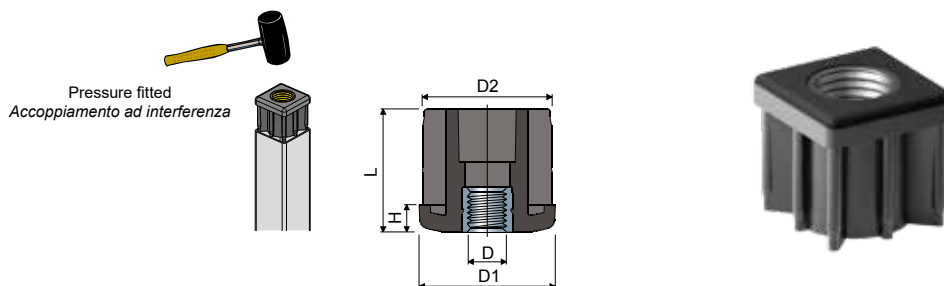
Tube dimensions/Dimensioni tubo

Outside ø ø esterno		Thickness Spessore		Inside ø ø interno	Thread/Filetto D		D1	D2	H	L	Type Tipo	Code Codice	Max static load Carico statico (N)
(inches)	(mm)	(inches)	(mm)	(mm)	(UNC)	(mm)	(mm)	(mm)	(mm)	(mm)			
1"	(25,4)	0,083"	(2,1)	21,18	1/4"-20	(6,35)	25,2	21,18	6	26	TP4A	CP001728	4500
					5/16"-18	(7,93)	25,2	21,18	6	26	TP4B	CP001729	4500
1 1/4"	(31,75)	0,083"	(2,1)	27,53	3/8"-16	(9,52)	31,5	27,53	6	31	TP4C	CP001730	5000
					1/2"-13	(12,7)	31,5	27,53	6	31	TP4D	CP001731	5000
					5/8"-11	(15,87)	31,5	27,53	6	31	TP4E	CP001732	6500
1 1/2"	(38,1)	0,065"	(1,65)	34,8	3/8"-16	(9,52)	38	34,8	8	38	TP4F	CP001733	5000
					1/2"-13	(12,7)	38	34,8	8	38	TP4G	CP001734	5000
					5/8"-11	(15,87)	38	34,8	8	38	TP4H	CP001735	6500
		0,083"	(2,1)	33,89	3/4"-10	(19,05)	38	34,8	8	38	TP4I	CP001736	9000
					3/8"-16	(9,52)	38	33,89	8	38	TP4L	CP001737	5000
					1/2"-13	(12,7)	38	33,89	8	38	TP4M	CP001738	5000
					5/8"-11	(15,87)	38	33,89	8	38	TP4N	CP001739	6500
1 3/4"	(44,45)	0,12"	(3,04)	38,35	3/4"-10	(19,05)	44,2	38,35	8	38	TP4O	CP001740	9000
					5/8"-11	(15,87)	44,2	38,35	8	38	TP4P	CP001741	6500
					1"-8	(25,4)	44,2	38,35	8	38	TP4Q	CP001742	10000
2"	(50,8)	0,065"	(1,65)	47,5	3/8"-16	(9,52)	50,6	47,5	10	45	TP4R	CP001743	10000
					1/2"-13	(12,7)	50,6	47,5	10	45	TP4S	CP001744	5000
					5/8"-11	(15,87)	50,6	47,5	10	45	TP4T	CP001745	5000
					3/4"-10	(19,05)	50,6	47,5	10	45	TP4U	CP001746	6500
		0,109"	(2,77)	45,26	3/8"-16	(9,52)	50,6	45,26	10	45	TP4V	CP001747	9000
					1/2"-13	(12,7)	50,6	45,26	10	45	TP4Z	CP001748	5000
					5/8"-11	(15,87)	50,6	45,26	10	45	TP4W	CP001749	5000
					3/4"-10	(19,05)	50,6	45,26	10	45	TP4X	CP001750	6500
0,156"	(3,96)	42,88	5/8"-11	(15,87)	50,6	42,88	10	45	TP4Y	CP001751	9000		
			3/4"-10	(19,05)	50,6	42,88	10	45	TP4J	CP001752	6500		
			1"-8	(25,4)	50,6	42,88	10	45	TP4K	CP001753	9000		
			5/8"-11	(15,87)	50,6	42,88	10	45	TP4α	CP001754	10000		
2 1/2"	(63,5)	0,156"	(3,96)	55,58	5/8"-11	(15,87)	63,3	55,58	12	52	TP4β	CP001755	6500
					3/4"-10	(19,05)	63,3	55,58	12	53	TP4δ	CP001756	9000
					1"-8	(25,4)	63,3	55,58	12	52	TP4γ	CP001757	10000

**MATERIAL:** Bush in reinforced polyamide black colour; threaded insert in nickel plated brass.

**MATERIALI:** Tappo in poliammide rinforzata colore nero, inserto filettato in ottone nichelato.

**Threaded bushing (for square tubes: sizes and threads in inches) - Part. TP5**  
**Tappi filettati (per tubi quadri: dimensioni e filetti in pollici) - Part. TP5**

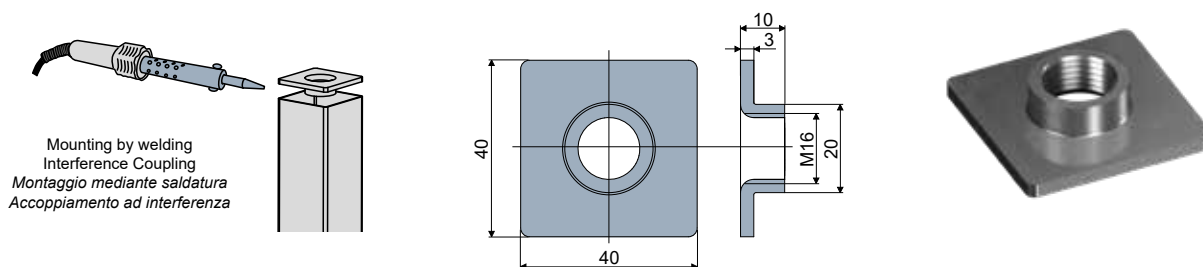


Tube dimensions/Dimensioni tubo									Type Tipo	Code Codice	Max static load Carico statico (N)
Outside Esterno (inches) (mm)	Thickness Spessore (inches) (mm)	Inside Interno (mm)	Thread Filetto D (UNC) (mm)	D1 (mm)	D2 (mm)	H (mm)	L (mm)				
1"1/2 (38,1)	0,065" (1,65)	34,8	3/8"-16 (9,52)	38	34,8	8	38	TP5A	CP001758	5000	
			1/2"-13 (12,7)	38	34,8	8	38	TP5B	CP001759	5000	
			5/8"-11 (15,87)	38	34,8	8	38	TP5C	CP001760	6500	
			3/4"-10 (19,05)	38	34,8	8	38	TP5D	CP001761	9000	
			3/8"-16 (9,52)	38	32	8	38	TP5E	CP001762	5000	
			1/2"-13 (12,7)	38	32	8	38	TP5F	CP001763	5000	
	0,12" (3,05)	32	5/8"-11 (15,87)	38	32	8	38	TP5G	CP001764	6500	
			3/4"-10 (19,05)	38	32	8	38	TP5H	CP001765	9000	
			3/8"-16 (9,52)	50,6	47,5	10	45	TP5I	CP001766	5000	
			1/2"-13 (12,7)	50,6	47,5	10	45	TP5L	CP001767	5000	
			5/8"-11 (15,87)	50,6	47,5	10	45	TP5M	CP001768	6500	
			3/4"-10 (19,05)	50,6	47,5	10	45	TP5N	CP001769	9000	
2" (50,8)	0,065" (1,65)	47,5	3/8"-16 (9,52)	50,6	45,26	10	45	TP5O	CP001770	5000	
			1/2"-13 (12,7)	50,6	45,26	10	45	TP5P	CP001771	5000	
			5/8"-11 (15,87)	50,6	45,26	10	45	TP5Q	CP001772	6500	
			3/4"-10 (19,05)	50,6	45,26	10	45	TP5R	CP001773	9000	
			3/8"-16 (9,52)	50,6	44,7	10	45	TP5S	CP001774	5000	
			1/2"-13 (12,7)	50,6	44,7	10	45	TP5T	CP001775	5000	
	0,12" (3,05)	44,7	5/8"-11 (15,87)	50,6	44,7	10	45	TP5U	CP001776	6500	
			3/4"-10 (19,05)	50,6	44,7	10	45	TP5V	CP001777	9000	

**UK MATERIAL:** Bush in reinforced polyamide black colour; threaded insert in nickel plated brass.

**IT MATERIALI:** Tappo in poliammide rinforzata colore nero, insertio filettato in ottone nichelato.

**Threaded bushing (for square tubes) - Part. U30**  
**Tappi filettati (per tubi quadri: a saldare) - Part. U30**

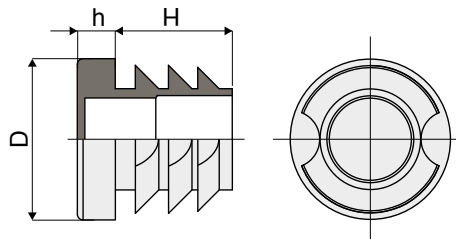


Type/Tipo	Code/Codice	Max Static Load Carico statico max (N)
U30	CPB00029	20000

**UK MATERIALS:** Stainless steel cap.  
**FEATURES:** Mounting by welding.

**IT MATERIALI:** Tappo in acciaio inox.  
**CARATTERISTICHE:** Montaggio mediante saldatura.

**Closing cap round - Part. U16**  
**Tappo alettato tondo - Part. U16**

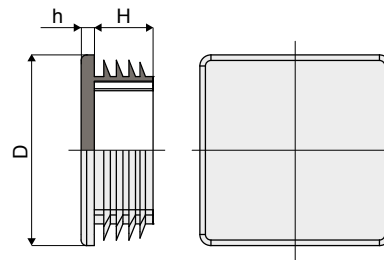


Type Tipo	Code Codice	Dimensions/Dimensioni			Tube thickness/Spessore tubo	
		D (mm)	h (mm)	H (mm)	Min. (mm)	Max. (mm)
U16A	CPA01757	38	5	11,5	1	3,5
U16B	CPA01758	42,4	5	11,5	1	2,5
U16C	CPA01759	48,3	5	11,5	1,2	3,6
U16D	CPA01760	60	5	18,5	1,5	3

**MATERIALS:** Cap in black polyethylene.  
**FEATURES:** To be assembled to the tubes edges.

**MATERIALI:** Tappo in polietilene colore nero.  
**CARATTERISTICHE:** Da applicare alle estremità dei tubi.

**Closing cap square - Part. U17**  
**Tappo alettato quadro - Part. U17**

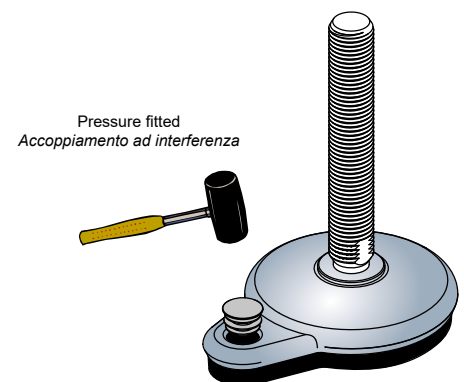
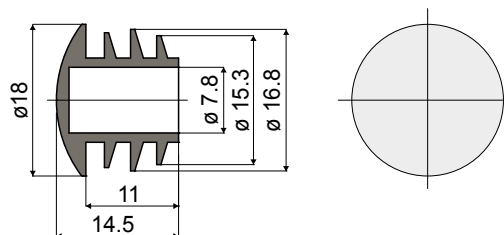


Type Tipo	Code Codice	Dimensions/Dimensioni			Tube thickness/Spessore tubo	
		D (mm)	h (mm)	H (mm)	Min. (mm)	Max. (mm)
U17A	CPA01762	25	5	11,5	1	3
U17B	CPA01763	30	5	11,5	1	2,5
U17C	CPA01764	35	5	14,5	1	3
U17D	CPA01765	40	5	14,5	1	3
U17E	CPA01766	50	5	14,5	1	2,5
U17F	CPA01767	60	5	24	1,5	3,5

**MATERIALS:** Cap in black polyethylene.  
**FEATURES:** To be assembled to the tubes edges.

**MATERIALI:** Tappo in polietilene colore nero.  
**CARATTERISTICHE:** Da applicare alle estremità dei tubi.

**Closing cap round - Part. U21**  
**Tappo alettato tondo - Part. U21**

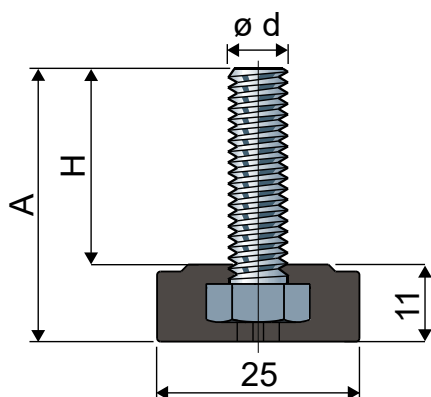


Type/Tipo	Code/Codice
U21A	CPA01769

**MATERIALS:** Cap in grey polyethylene.  
**FEATURES:** To be assembled to the feet with side fixing system: Part.U11, U12, U19, U20.

**MATERIALI:** Tappo in polietilene colore grigio.  
**CARATTERISTICHE:** Da applicare nei fori dei piedi sanificabili con fissaggio laterale Part.U11, U12, U19, U20.

**Fixed feet (co-moulded) wrench 25 - Part. PF1**  
**Piedi fissi (costampati) con chiave 25 - Part. PF1**



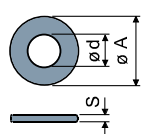
Spindle measures in mm  
 Misure stelo in mm

Spindle in zinc plated steel  
 Stelo in acciaio zincato

Max static load  
 Carico statico max

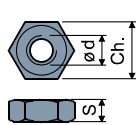
ø d	A	H	Type/Tipo	Code/Codice	(N)
M8x1,25	38	27	PF1	CP000708	6000

Washers/Rosette UNI 6592-69



ø M	M8
S mm	1,6
ø A mm	17
Code/Codice	CP007636

Nuts/Dadi UNI 5588-65

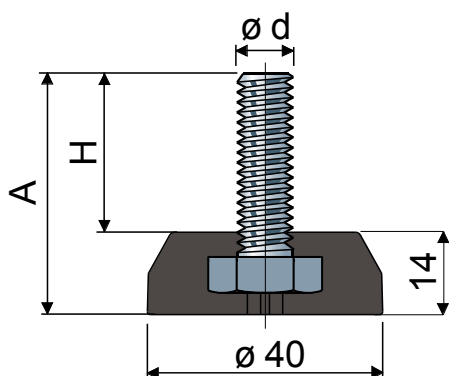


ø d	M8
S mm	6,5
Ch. mm	13
Code/Codice	CP007634

**BASE MATERIAL:** Reinforced polyamide black colour.

**MATERIALE BASE:** Poliammide rinforzata colore nero.

**Fixed feet (co-moulded) ø 40 - Part. PF2**  
**Piedi fissi (costampati) con ø 40 - Part. PF2**



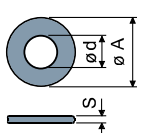
Spindle measures in mm  
 Misure stelo in mm

Spindle in zinc plated steel  
 Stelo in acciaio zincato

Max static load  
 Carico statico max

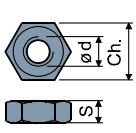
ø d	A	H	Type/Tipo	Code/Codice	(N)
M10x1,5	40	26	PF2	CP000709	7000

Washers/Rosette UNI 6592-69



ø M	M10
S mm	2
ø A mm	21
Code/Codice	CP007283

Nuts/Dadi UNI 5588-65

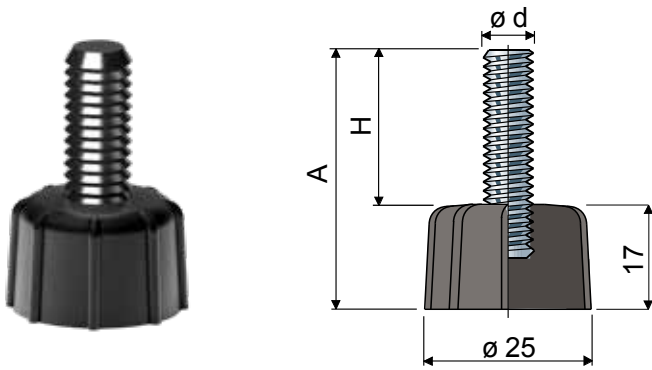


ø d	M10
S mm	8
Ch. mm	17
Code/Codice	CP007269

**BASE MATERIAL:** Reinforced polyamide black colour.

**MATERIALE BASE:** Poliammide rinforzata colore nero.

**Fixed feet (base in reinforced polyamide) ø 25 - Part. PF3 and PFX3**  
**Piedi fissi (base in poliammide rinforzata) ø 25 - Part. PF3 e PFX3**



Washers/Rosette UNI 6592-69

$\phi$ M	M8	M10	M12
S mm	1,6	2	2,5
$\phi$ A mm	17	21	24
Code/Codice ZI	CP007636	CP007283	CP007284
Code/Codice IN	CP007637	CP007286	CP007287

Nuts/Dadi UNI 5588-65

$\phi$ d	M8	M10	M12
S mm	6,5	8	10
Ch. mm	13	17	19
Code/Codice ZI	CP007634	CP007269	CP007270
Code/Codice IN	CP007635	CP007272	CP007273

Spindle measures in mm  
Misure stelo in mm

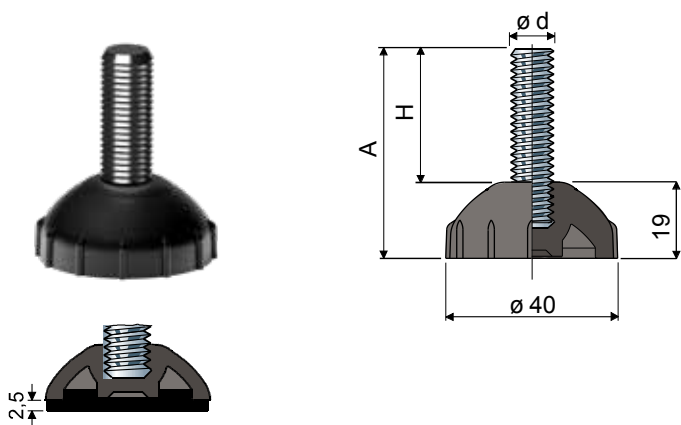
Spindle material/Materiale stelo

$\phi$ d	A	H	Zinc plated steel Acciaio zincato		Stainless steel AISI 304 Acciaio inox AISI 304		Max static load Carico statico max (N)
			Type/Tipo	Code/Codice	Type/Tipo	Code/Codice	
M8x1,25	40	23	PF3A	CP000710	PFX3A	CP000715	4000
	50	33	PF3B	CP000711	PFX3B	CP000716	
M10x1,5	40	23	PF3C	CP000712	PFX3C	CP000717	5000
	50	33	PF3D	CP000713	PFX3D	CP000718	
M12x1,75	75	58	PF3E	CP000714	PFX3E	CP000719	6000

**BASE MATERIAL:** Reinforced polyamide black colour.

**MATERIALE BASE:** Poliammide rinforzata colore nero.

**Fixed feet (base in reinforced polyamide) ø 40 - Part. PF4 and PFX4**  
**Piedi fissi (base in poliammide rinforzata) ø 40 - Part. PF4 e PFX4**



Washers/Rosette UNI 6592-69

$\phi$ M	M8	M10	M12
S mm	1,6	2	2,5
$\phi$ A mm	17	21	24
Code/Codice ZI	CP007636	CP007283	CP007284
Code/Codice IN	CP007637	CP007286	CP007287

Nuts/Dadi UNI 5588-65

$\phi$ d	M8	M10	M12
S mm	6,5	8	10
Ch. mm	13	17	19
Code/Codice ZI	CP007634	CP007269	CP007270
Code/Codice IN	CP007635	CP007272	CP007273

Spindle measures in mm  
Misure stelo in mm

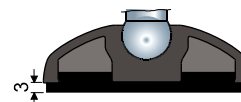
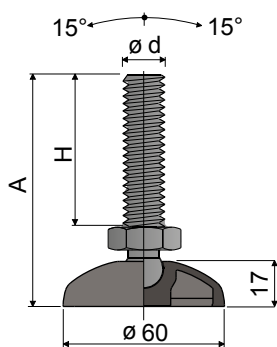
Spindle material/Materiale stelo

$\phi$ d	A	H	Zinc plated steel Acciaio zincato		Stainless steel AISI 304 Acciaio inox AISI 304		Max static load Carico statico max (N)
			Type/Tipo	Code/Codice	Type/Tipo	Code/Codice	
M8x1,25	40	21	PF4A	CP000720	PFX4A	CP000725	4000
	50	31	PF4B	CP000721	PFX4B	CP000726	
M10x1,5	40	21	PF4C	CP000722	PFX4C	CP000727	5000
	50	31	PF4D	CP000723	PFX4D	CP000728	
M12x1,75	75	56	PF4E	CP000724	PFX4E	CP000729	6000

**BASE MATERIAL:** Reinforced polyamide black colour.  
**ACCESSORIES:** Anti-slip pads - code: CP007263; material: thermoplastic rubber 68 Shore black colour.

**MATERIALE BASE:** Poliammide rinforzata colore nero.  
**ACCESSORI:** Antivibranti - Codice: CP007263; materiale: gomma termoplastica 68 shore colore nero.

**PA articulated feet (in reinforced polyamide)  $\varnothing$  60 - Part. PS1**  
**Piedi snodati in PA (in poliammide rinforzata)  $\varnothing$  60 - Part. PS1**



Spindle measures in mm / Misure stelo in mm

$\varnothing d$	A	H	Wrench/Chiave	Spindle and base in reinforced polyamide Stelo e base in poliammide rinforzata		Max static load Carico statico max (N)
				Type/Tipo	Code/Codice	
M16x2	101	67	24	PS1A	CP000730	7000
M20x2,5	174	140	24	PS1B	CP000731	7500

**Washers/Rosette UNI 6592-69**

$\varnothing M$	M16	M20
S mm	3	3
$\varnothing A$ mm	30	37
Code/Codice ZI	CP007289	CP007290
Code/Codice IN	CP007291	CP007292

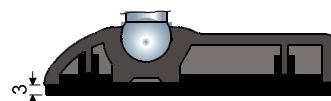
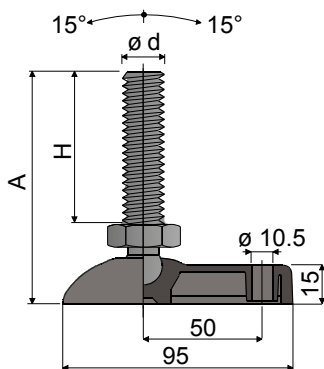
**Nuts/Dadi UNI 5588-65**

$\varnothing d$	M16	M20
S mm	13	16
Ch. mm	24	30
Code/Codice ZI	CP007275	CP007276
Code/Codice IN	CP007277	CP007278

**BASE MATERIAL:** Reinforced polyamide black colour.  
**ACCESSORIES:** Anti-slip pads - code: CP007265; material: thermoplastic rubber 68 Shore black colour.

**MATERIALE BASE:** Poliammide rinforzata colore nero.  
**ACCESSORI:** Antivibranti - Codice: CP007265; materiale: gomma termoplastica 68 shore colore nero.

**PA articulated feet (in reinforced polyamide) 60x95 - Part. PS2**  
**Piedi snodati in PA (in poliammide rinforzata) 60x95 - Part. PS2**



Spindle measures in mm / Misure stelo in mm

$\varnothing d$	A	H	Wrench/Chiave	Spindle and base in reinforced polyamide Stelo e base in poliammide rinforzata		Max static load Carico statico max (N)
				Type/Tipo	Code/Codice	
M16x2	101	67	24	PS2A	CP000732	7000
M20x2,5	174	140	24	PS2B	CP000733	7500

**Washers/Rosette UNI 6592-69**

$\varnothing M$	M16	M20
S mm	3	3
$\varnothing A$ mm	30	37
Code/Codice ZI	CP007289	CP007290
Code/Codice IN	CP007291	CP007292

**Nuts/Dadi UNI 5588-65**

$\varnothing d$	M16	M20
S mm	13	16
Ch. mm	24	30
Code/Codice ZI	CP007275	CP007276
Code/Codice IN	CP007277	CP007278

**BASE MATERIAL:** Reinforced polyamide black colour.  
**ACCESSORIES:** Anti-slip pads - code: CP007632; material: thermoplastic rubber 68 Shore black colour.

**MATERIALE BASE:** Poliammide rinforzata colore nero.  
**ACCESSORI:** Antivibranti - Codice: CP007632; materiale: gomma termoplastica 68 shore colore nero.



**PA articulated feet (in reinforced polyamide) ø 80 - Part. PS3**  
**Piedi snodati in PA (in poliammide rinforzata) ø 80 - Part. PS3**



Spindle measures in mm / Misure stelo in mm

ød	A	H	Wrench/Chiave	Spindle and base in reinforced polyamide Stelo e base in poliammide rinforzata		Max static load Carico statico max (N)
				Type/Tipo	Code/Codice	
M16x2	104	67	24	PS3A	CP000734	7000
M20x2,5	174	140	24	PS3B	CP000735	7500

Washers/Rosette UNI 6592-69

ø M	M16	M20
S mm	3	3
ø A mm	30	37
Code/Codice ZI	CP007289	CP007290
Code/Codice IN	CP007291	CP007292

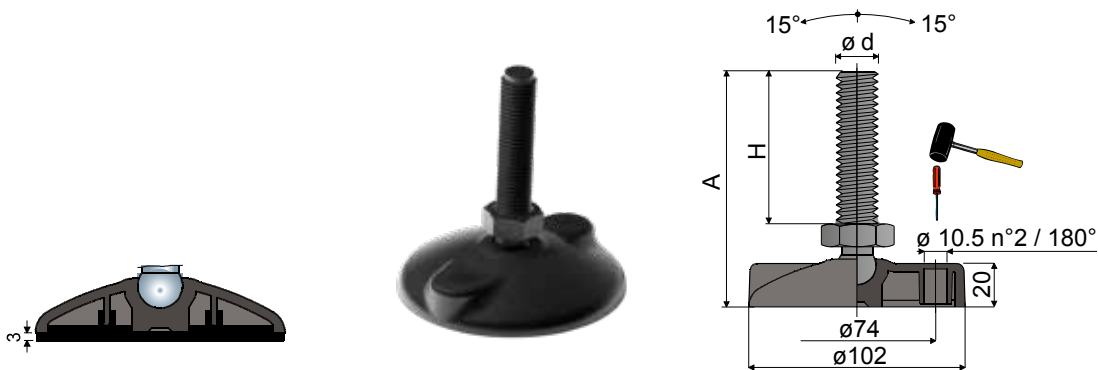
Nuts/Dadi UNI 5588-65

ø d	M16	M20
S mm	13	16
Ch. mm	24	30
Code/Codice ZI	CP007275	CP007276
Code/Codice IN	CP007277	CP007278

**BASE MATERIAL:** Reinforced polyamide black colour.  
**ACCESSORIES:** Anti-slip pads - code: CP007266; material: thermoplastic rubber 68 Shore black colour.

**MATERIALE BASE:** Poliammide rinforzata colore nero.  
**ACCESSORI:** Antivibranti - Codice: CP007266; materiale: gomma termoplastica 68 shore colore nero.

**PA articulated feet (in reinforced polyamide) ø 102 - Part. PS4**  
**Piedi snodati in PA (in poliammide rinforzata) ø 102 - Part. PS4**



Spindle measures in mm / Misure stelo in mm

ød	A	H	Wrench/Chiave	Spindle and base in reinforced polyamide Stelo e base in poliammide rinforzata		Max static load Carico statico max (N)
				Type/Tipo	Code/Codice	
M16x2	107	67	24	PS4A	CP000736	7000
M20x2,5	180	140	24	PS4B	CP000737	7500

Washers/Rosette UNI 6592-69

ø M	M16	M20
S mm	3	3
ø A mm	30	37
Code/Codice ZI	CP007289	CP007290
Code/Codice IN	CP007291	CP007292

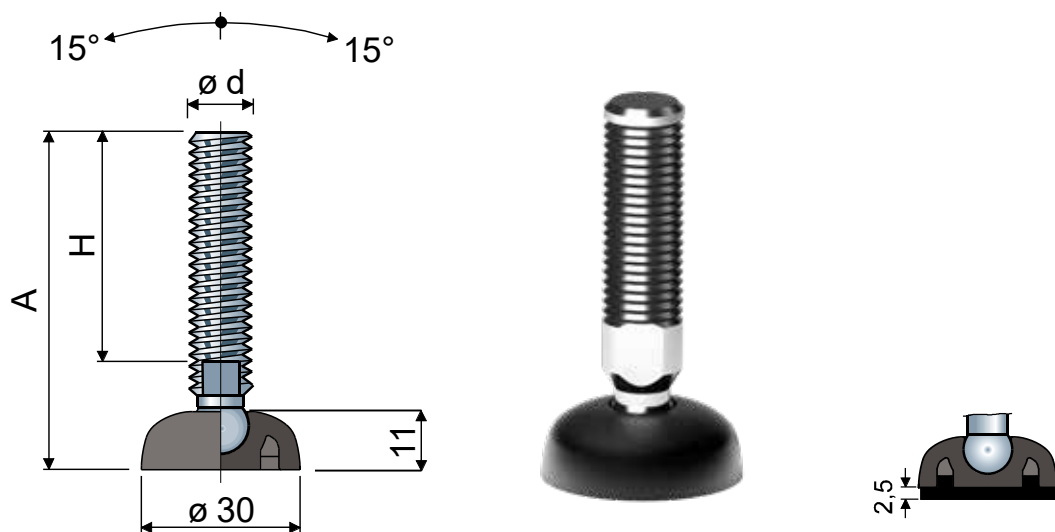
Nuts/Dadi UNI 5588-65

ø d	M16	M20
S mm	13	16
Ch. mm	24	30
Code/Codice ZI	CP007275	CP007276
Code/Codice IN	CP007277	CP007278

**BASE MATERIAL:** Reinforced polyamide black colour.  
**ACCESSORIES:** Anti-slip pads - code: CP007267; material: thermoplastic rubber 68 Shore black colour.

**MATERIALE BASE:** Poliammide rinforzata colore nero.  
**ACCESSORI:** Antivibranti - Codice: CP007267; materiale: gomma termoplastica 68 shore colore nero.

**Articulated feet (base in reinforced polyamide)  $\varnothing$  30 - Part. PS13 and PSX13**  
**Piedi snodati (base in poliammide rinforzata)  $\varnothing$  30 - Part. PS13 e PSX13**



Spindle measures in mm / Misura stelo in mm				Spindle material / Materiale stelo						
$\varnothing d$	A	H	Wrench Chiave	Zinc plated steel Acciaio zincato		Stainless steel AISI 304 Acciaio inox AISI 304		Stainless steel AISI 316 Acciaio inox AISI 316		Max static load Carico statico (N)
				Type Tipo	Code Codice	Type Tipo	Code Codice	Type Tipo	Code Codice	
M8x1,25	65	45	6	PS13A	CPA00708	PSX13A	CPA00718	-	-	9000
	85	65	6	PS13B	CPA00709	PSX13B	CPA00719	-	-	
M10x1,5	57	35	8	PS13C	CPA00710	PSX13C	CPA00720	-	-	10000
	92	70	8	PS13D	CPA00711	PSX13D	CPA00721	-	-	
M12x1,75	137	115	8	PS13E	CPA00712	PSX13E	CPA00722	-	-	11000
	67	43	10	PS13F	CPA00713	PSX13F	CPA00723	-	-	
	87	63	10	PS13G	CPA00714	PSX13G	CPA00724	-	-	
	102	77	10	PS13H	CPA00715	PSX13H	CPA00725	-	-	
	117	93	10	PS13I	CPA00716	PSX13I	CPA00726	PSX13M	CPA00728	
	147	123	10	PS13L	CPA00717	PSX13L	CPA00727	-	-	

Spindle measures in inches / Misura stelo in pollici				Spindle material / Materiale stelo				Max static load Carico statico (N)
$\varnothing d$	A	H	Wrench Chiave	Zinc plated steel Acciaio zincato		Stainless steel AISI 304 Acciaio inox AISI 304		
				Type Tipo	Code Codice	Type Tipo	Code Codice	
1/2"-13 UNC	5,08"	4"	7/16"	PS13M	CPA00729	PSX13N	CPA00730	11000

**Washers/Rosette UNI 6592-69**

$\varnothing M$	M8	M10	M12
S mm	1,6	2	2,5
$\varnothing A$ mm	17	21	24
Code/Codice ZI	CP007636	CP007283	CP007284
Code/Codice IN	CP007637	CP007286	CP007287

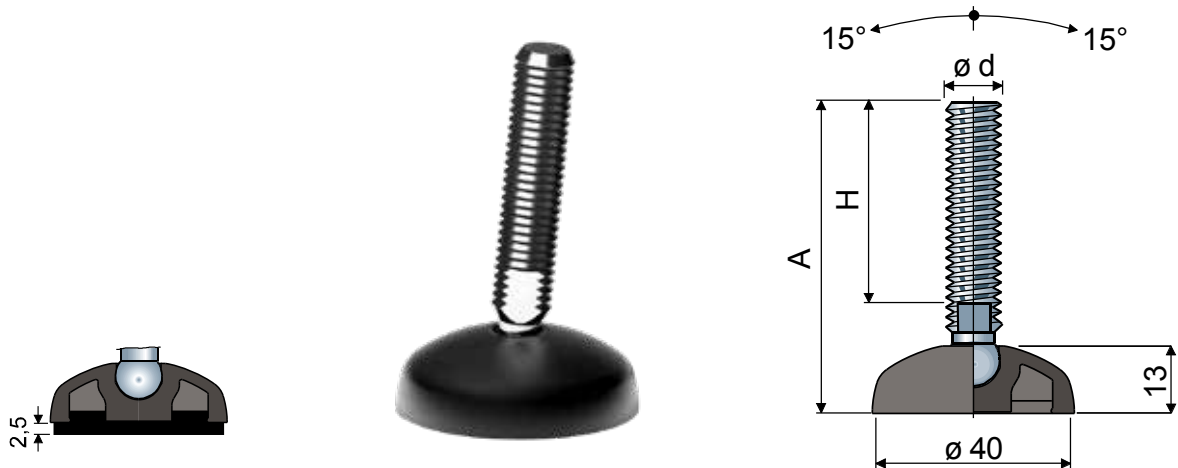
**Nuts/Dadi UNI 5588-65**

$\varnothing d$	M8	M10	M12
S mm	6,5	8	10
Ch. mm	13	17	19
Code/Codice ZI	CP007634	CP007269	CP007270
Code/Codice IN	CP007635	CP007272	CP007273

**BASE MATERIAL:** Reinforced polyamide black colour.  
**ACCESSORIES:** Anti-slip pads - code: CP084290; material: thermoplastic rubber 68 Shore black colour.

**MATERIALE BASE:** Poliammide rinforzata colore nero.  
**ACCESSORI:** Antivibranti - Codice: CP084290; materiale: gomma termoplastica 68 shore colore nero.

**Articulated feet (base in reinforced polyamide) ø 40 - Part. PS5 and PSX5**  
**Piedi snodati (base in poliammide rinforzata) ø 40 - Part. PS5 e PSX5**



Spindle measures in mm / Misure stelo in mm

ød	A	H	Wrench Chiave	Spindle material / Materiale stelo						Max static load Carico statico (N)
				Zinc plated steel Acciaio zincato		Stainless steel AISI 304 Acciaio inox AISI 304		Stainless steel AISI 316 Acciaio inox AISI 316		
				Type Tipo	Code Codice	Type Tipo	Code Codice	Type Tipo	Code Codice	
M8x1,25	68	45	6	PS5A	CP000738	PSX5A	CP000753	-	-	10000
	88	65	6	PS5B	CP000739	PSX5B	CP000754	-	-	
	130	107	6	PS5C	CP000740	PSX5C	CP000755	-	-	
M10x1,5	60	35	8	PS5D	CP000741	PSX5D	CP000756	-	-	11000
	95	70	8	PS5E	CP000742	PSX5E	CP000757	-	-	
	140	115	8	PS5F	CP000743	PSX5F	CP000758	-	-	
M12x1,75	70	43	10	PS5G	CP000744	PSX5G	CP000759	-	-	12000
	90	63	10	PS5H	CP000745	PSX5H	CP000760	-	-	
	105	77	10	PS5I	CP000746	PSX5I	CP000761	-	-	
	120	93	10	PS5L	CP000747	PSX5L	CP000762	PSX5Y	CPA00765	
	150	123	10	PS5M	CP000748	PSX5M	CP000763	-	-	
M14x2	90	61	12	PS5N	CP000749	PSX5N	CP000764	-	-	13000
	120	91	12	PS5O	CP000750	PSX5O	CP000765	-	-	
	145	116	12	PS5P	CP000751	PSX5P	CP000766	-	-	
	194	165	12	PS5X	CPA00751	PSX5X	CPA00766	-	-	
M16x2	92	60	13	PS5R	CPA00743	PSX5R	CPA00758	-	-	16000
	122	90	13	PS5S	CPA00744	PSX5S	CPA00759	-	-	
	137	105	13	PS5T	CPA00745	PSX5T	CPA00760	-	-	
	157	125	13	PS5U	CPA00746	PSX5U	CPA00761	-	-	
	187	155	13	PS5V	CPA00747	PSX5V	CPA00762	-	-	
	197	165	13	PS5Z	CPA00748	PSX5Z	CPA00763	-	-	
	237	205	13	PS5W	CPA00749	PSX5W	CPA00764	-	-	

Spindle measures in inches / Misure stalo in pollici

ød	A	H	Wrench Chiave	Spindle material / Materiale stelo				Max static load Carico statico (N)
				Zinc plated steel Acciaio zincato		Stainless steel AISI 304 Acciaio inox AISI 304		
				Type Tipo	Code Codice	Type Tipo	Code Codice	
1/2"-13 UNC	5,08"	4"	7/16"	PS5Q	CP000752	PSX5Q	CP000767	12000
5/8"-11 UNC	8,25"	7"	1/2"	PS5J	CPA00752	PSX5J	CPA00754	14000
3/4"-10 UNC	8,34"	7"	5/8"	PS5K	CPA00753	PSX5K	CPA00755	16000

**Washers/Rosette UNI 6592-69**

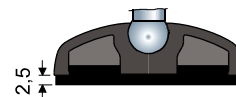
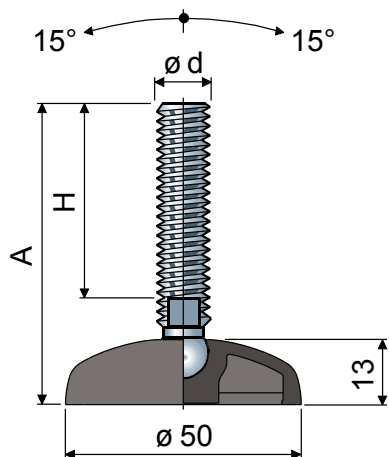
ø M	M8	M10	M12	M14	M16
S mm	1,6	2	2,5	2,5	3
ø A mm	17	21	24	28	30
Code/Codice ZI	CP007636	CP007283	CP007284	CP007285	CP007289
Code/Codice IN	CP007637	CP007286	CP007287	CP007288	CP007291

**Nuts/Dadi UNI 5588-65**

ø d	M8	M10	M12	M14	M16
S mm	6,5	8	10	11	13
Ch. mm	13	17	19	22	24
Code/Codice ZI	CP007634	CP007269	CP007270	CP007271	CP007275
Code/Codice IN	CP007635	CP007272	CP007273	CP007274	CP007277

**BASE MATERIAL:** Reinforced polyamide black colour.  
**ACCESSORIES:** Anti-slip pads - code: CP007263; material: thermoplastic rubber 68 Shore black colour.

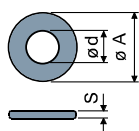
**MATERIALE BASE:** Poliammide rinforzata colore nero.  
**ACCESSORI:** Antivibranti - Codice: CP007263; materiale: gomma termoplastica 68 shore colore nero.

**Articulated feet (base in reinforced polyamide) ø 50 - Part. PS6 and PSX6**
**Piedi snodati (base in poliammide rinforzata) ø 50 - Part. PS6 e PSX6**

**Spindle measures in mm / Misure stelo in mm**
**Spindle material / Materiale stelo**

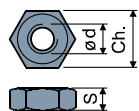
ød	A	H	Wrench Chiave	Zinc plated steel Acciaio zincato		Stainless steel AISI 304 Acciaio inox AISI 304		Stainless steel AISI 316 Acciaio inox AISI 316		Max static load Carico statico (N)
				Type Tipo	Code Codice	Type Tipo	Code Codice	Type Tipo	Code Codice	
M8x1,25	68	45	6	PS6A	CP000768	PSX6A	CP000783	-	-	11000
	88	65	6	PS6B	CP000769	PSX6B	CP000784	-	-	
	130	107	6	PS6C	CP000770	PSX6C	CP000785	-	-	
M10x1,5	60	35	8	PS6D	CP000771	PSX6D	CP000786	-	-	12000
	95	70	8	PS6E	CP000772	PSX6E	CP000787	-	-	
	140	115	8	PS6F	CP000773	PSX6F	CP000788	-	-	
M12x1,75	70	43	10	PS6G	CP000774	PSX6G	CP000789	-	-	13000
	90	63	10	PS6H	CP000775	PSX6H	CP000790	-	-	
	105	77	10	PS6I	CP000776	PSX6I	CP000791	-	-	
	120	93	10	PS6L	CP000777	PSX6L	CP000792	PSX6Y	CPA00791	
M14x2	90	61	12	PS6N	CP000779	PSX6N	CP000794	-	-	14000
	120	91	12	PS6O	CP000780	PSX6O	CP000795	-	-	
	145	116	12	PS6P	CP000781	PSX6P	CP000796	-	-	
M16x2	195	165	12	PS6R	CPA00768	PSX6R	CPA00783	-	-	16000
	92	60	13	PS6S	CPA00769	PSX6S	CPA00784	-	-	
	122	90	13	PS6T	CPA00770	PSX6T	CPA00785	-	-	
	137	105	13	PS6U	CPA00771	PSX6U	CPA00786	-	-	
	157	125	13	PS6V	CPA00772	PSX6V	CPA00787	-	-	
	187	155	13	PS6Z	CPA00773	PSX6Z	CPA00788	-	-	
	197	165	13	PS6W	CPA00774	PSX6W	CPA00789	-	-	
	237	205	13	PS6X	CPA00775	PSX6X	CPA00790	-	-	

**Spindle measures in inches / Misure stelo in pollici**
**Spindle material / Materiale stelo**

ød	A	H	Wrench Chiave	Zinc plated steel Acciaio zincato		Stainless steel AISI 304 Acciaio inox AISI 304		Max static load Carico statico (N)
				Type Tipo	Code Codice	Type Tipo	Code Codice	
1/2"-13 UNC	5,10"	4"	7/16"	PS6Q	CP000782	PSX6Q	CP000797	12000
5/8"-11 UNC	8,25"	7"	1/2"	PS6J	CPA00792	PSX6J	CPA00794	14000
3/4"-10 UNC	8,34"	7"	5/8"	PS6K	CPA00793	PSX6K	CPA00795	16000

**Washers/Rosette UNI 6592-69**


ø M	M8	M10	M12	M14	M16
S mm	1,6	2	2,5	2,5	3
ø A mm	17	21	24	28	30
Code/Codice ZI	CP007636	CP007283	CP007284	CP007285	CP007289
Code/Codice IN	CP007637	CP007286	CP007287	CP007288	CP007291

**Nuts/Dadi UNI 5588-65**


ø d	M8	M10	M12	M14	M16
S mm	6,5	8	10	11	13
Ch. mm	13	17	19	22	24
Code/Codice ZI	CP007634	CP007269	CP007270	CP007271	CP007275
Code/Codice IN	CP007635	CP007272	CP007273	CP007274	CP007277

**BASE MATERIAL:** Reinforced polyamide black colour.  
**ACCESSORIES:** Anti-slip pads - code: CP007264; material: thermoplastic rubber 68 Shore black colour.

**MATERIALE BASE:** Poliammide rinforzata colore nero.  
**ACCESSORI:** Antivibranti - Codice: CP007264; materiale: gomma termoplastica 68 shore colore nero.

**Articulated feet (base in reinforced polyamide) ø 60 - Part. PS7 and PSX7**  
**Piedi snodati (base in poliammide rinforzata) ø 60 - Part. PS7 e PSX7**



Spindle measures in mm / Misure stelo in mm				Spindle material / Materiale stelo						
ød	A	H	Wrench Chiave	Zinc plated steel Acciaio zincato		Stainless steel AISI 304 Acciaio inox AISI 304		Stainless steel AISI 316 Acciaio inox AISI 316		Max static load Carico statico (N)
				Type Tipo	Code Codice	Type Tipo	Code Codice	Type Tipo	Code Codice	
M8x1,25	72	45	6	PS7A	CP000798	PSX7A	CP000826	-	-	12000
	92	65	6	PS7B	CP000799	PSX7B	CP000827	-	-	
	134	107	6	PS7C	CP000800	PSX7C	CP000828	-	-	
M10x1,5	64	35	8	PS7D	CP000801	PSX7D	CP000829	-	-	13000
	99	70	8	PS7E	CP000802	PSX7E	CP000830	-	-	
	144	115	8	PS7F	CP000803	PSX7F	CP000831	-	-	
M12x1,75	74	43	10	PS7G	CP000804	PSX7G	CP000832	-	-	14000
	94	63	10	PS7H	CP000805	PSX7H	CP000833	-	-	
	109	77	10	PS7I	CP000806	PSX7I	CP000834	-	-	
	124	93	10	PS7L	CP000807	PSX7L	CP000835	PSX7AA	CPA00800	
	154	123	10	PS7M	CP000808	PSX7M	CP000836	-	-	
M14x2	94	61	12	PS7N	CP000809	PSX7N	CP000837	-	-	15000
	124	91	12	PS7O	CP000810	PSX7O	CP000838	-	-	
	149	116	12	PS7P	CP000811	PSX7P	CP000839	-	-	
	198	165	12	PS7K	CPA00798	PSX7K	CPA00799	-	-	
M16x2	95	60	13	PS7Q	CP000812	PSX7Q	CP000840	PSX7AB	CPA00801	17000
	125	90	13	PS7R	CP000813	PSX7R	CP000841	-	-	
	140	105	13	PS7S	CP000814	PSX7S	CP000842	-	-	
	160	125	13	PS7T	CP000815	PSX7T	CP000843	PSX7AC	CPA00802	
	190	155	13	PS7U	CP000816	PSX7U	CP000844	-	-	
	200	165	13	PS7V	CP000817	PSX7V	CP000845	-	-	
M20x2,5	240	205	13	PS7Z	CP000818	PSX7Z	CP000846	-	-	19000
	125	86	17	PS7W	CP000819	PSX7W	CP000847	-	-	
	155	116	17	PS7X	CP000820	PSX7X	CP000848	-	-	
	180	141	17	PS7Y	CP000821	PSX7Y	CP000849	PSX7AD	CPA00803	
	200	161	17	PS7δ	CPA00825	PSX7δ	CPA00853	-	-	
	237	198	17	PS7J	CP000822	PSX7J	CP000850	-	-	

Spindle measures in inches / Misure stelo in pollici				Spindle material / Materiale stelo				Max static load Carico statico (N)
ød	A	H	Wrench Chiave	Zinc plated steel Acciaio zincato		Stainless steel AISI 304 Acciaio inox AISI 304		
				Type Tipo	Code Codice	Type Tipo	Code Codice	
1/2"-13 UNC	5,24"	4"	7/16"	PS7 <sub>α</sub>	CP000823	PSX7 <sub>α</sub>	CP000851	14000
5/8"-11 UNC	8,36"	7"	1/2"	PS7 <sub>β</sub>	CP000824	PSX7 <sub>β</sub>	CP000852	17000
3/4"-10 UNC	8,43"	7"	5/8"	PS7 <sub>γ</sub>	CP000825	PSX7 <sub>γ</sub>	CP000853	19000

**Washers/Rosette UNI 6592-69**

ø M	M8	M10	M12	M14	M16	M20
S mm	1,6	2	2,5	2,5	3	3
ø A mm	17	21	24	28	30	37
Code/Codice ZI	CP007636	CP007283	CP007284	CP007285	CP007289	CP007290
Code/Codice IN	CP007637	CP007286	CP007287	CP007288	CP007291	CP007292

**Nuts/Dadi UNI 5588-65**

ø d	M8	M10	M12	M14	M16	M20
S mm	6,5	8	10	11	13	16
Ch. mm	13	17	19	22	24	30
Code/Codice ZI	CP007634	CP007269	CP007270	CP007271	CP007275	CP007276
Code/Codice IN	CP007635	CP007272	CP007273	CP007274	CP007277	CP007278

**BASE MATERIAL:** Reinforced polyamide black colour.

**ACCESSORIES:** Anti-slip pads - code: CP007265; material: thermoplastic rubber 68 Shore black colour.

**MATERIALE BASE:** Poliammide rinforzata colore nero.

**ACCESSORI:** Antivibranti - Codice: CP007265; materiale: gomma termoplastica 68 shore colore nero.

**Articulated feet (base in reinforced polyamide) 60x95 - Part. PS8 and PSX8**

**Piedi snodati (base in poliammide rinforzata) 60x95 - Part. PS8 e PSX8**



Spindle measures in mm / Misure stelo in mm

ød	A	H	Wrench	Spindle material						Max static load (N)
				Zinc plated steel Acciaio zincato		Stainless steel AISI 304 Acciaio inox AISI 304		Stainless steel AISI 316 Acciaio inox AISI 316		
				Type Tipo	Code Codice	Type Tipo	Code Codice	Type Tipo	Code Codice	
M8x1,25	72	45	6	PS8A	CP000854	PSX8A	CP000882	-	-	12000
	92	65	6	PS8B	CP000855	PSX8B	CP000883	-	-	
	134	107	6	PS8C	CP000856	PSX8C	CP000884	-	-	
M10x1,5	64	35	8	PS8D	CP000857	PSX8D	CP000885	-	-	13000
	99	70	8	PS8E	CP000858	PSX8E	CP000886	-	-	
	144	115	8	PS8F	CP000859	PSX8F	CP000887	-	-	
M12x1,75	74	43	10	PS8G	CP000860	PSX8G	CP000888	-	-	14000
	94	63	10	PS8H	CP000861	PSX8H	CP000889	-	-	
	109	77	10	PS8I	CP000862	PSX8I	CP000890	-	-	
	124	93	10	PS8L	CP000863	PSX8L	CP000891	PSX8AA	CPA00856	
	154	123	10	PS8M	CP000864	PSX8M	CP000892	-	-	
M14x2	94	61	12	PS8N	CP000865	PSX8N	CP000893	-	-	15000
	124	91	12	PS8O	CP000866	PSX8O	CP000894	-	-	
	149	116	12	PS8P	CP000867	PSX8P	CP000895	-	-	
	198	165	12	PS8K	CPA00854	PSX8K	CPA00855	-	-	
M16x2	95	60	13	PS8Q	CP000868	PSX8Q	CP000896	PSX8AB	CPA00857	17000
	125	90	13	PS8R	CP000869	PSX8R	CP000897	-	-	
	140	105	13	PS8S	CP000870	PSX8S	CP000898	-	-	
	160	125	13	PS8T	CP000871	PSX8T	CP000899	PSX8AC	CPA00858	
	190	155	13	PS8U	CP000872	PSX8U	CP000900	-	-	
	200	165	13	PS8V	CP000873	PSX8V	CP000901	-	-	
M20x2,5	240	205	13	PS8Z	CP000874	PSX8Z	CP000902	-	-	19000
	125	86	17	PS8W	CP000875	PSX8W	CP000903	-	-	
	155	116	17	PS8X	CP000876	PSX8X	CP000904	-	-	
	180	141	17	PS8Y	CP000877	PSX8Y	CP000905	PSX8AD	CPA00859	
	200	161	17	PS8δ	CPA00881	PSX8δ	CPA00909	-	-	
237	198	17	PS8J	CP000878	PSX8J	CP000906	-	-		

Spindle measures in inches / Misure stelo in pollici

ød	A	H	Wrench Chiave	Spindle material / Materiale stelo				Max static load Carico statico (N)
				Zinc plated steel Acciaio zincato		Stainless steel AISI 304 Acciaio inox AISI 304		
				Type Tipo	Code Codice	Type Tipo	Code Codice	
1/2"-13 UNC	5,24"	4"	7/16"	PS8α	CP000879	PSX8α	CP000907	14000
5/8"-11 UNC	8,38"	7"	1/2"	PS8β	CP000880	PSX8β	CP000908	17000
3/4"-10 UNC	8,47"	7"	5/8"	PS8γ	CP000881	PSX8γ	CP000909	19000

**Washers/Rosette UNI 6592-69**

ø M	M8	M10	M12	M14	M16	M20
S mm	1,6	2	2,5	2,5	3	3
ø A mm	17	21	24	28	30	37
Code/Codice ZI	CP007636	CP007283	CP007284	CP007285	CP007289	CP007290
Code/Codice IN	CP007637	CP007286	CP007287	CP007288	CP007291	CP007292

**Nuts/Dadi UNI 5588-65**

ø d	M8	M10	M12	M14	M16	M20
S mm	6,5	8	10	11	13	16
Ch. mm	13	17	19	22	24	30
Code/Codice ZI	CP007634	CP007269	CP007270	CP007271	CP007275	CP007276
Code/Codice IN	CP007635	CP007272	CP007273	CP007274	CP007277	CP007278

**BASE MATERIAL:** Reinforced polyamide black colour.

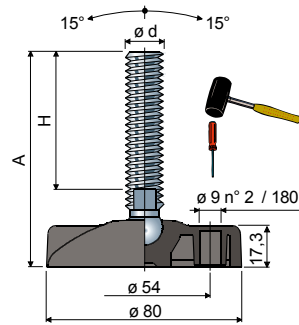
**ACCESSORIES:** Anti-slip pads - code: CP007632; material: thermoplastic rubber 68 Shore black colour.

**MATERIALE BASE:** Poliammide rinforzata colore nero.

**ACCESSORI:** Antivibranti - Codice: CP007632; materiale: gomma termoplastica 68 shore colore nero.



**Articulated feet (base in reinforced polyamide) ø 80 - Part. PS9 and PSX9**  
**Piedi snodati (base in poliammide rinforzata) ø 80 - Part. PS9 e PSX9**



**Spindle measures in mm**  
*Misure stelo in mm*

**Spindle material / Materiale stelo**

**Max static load**  
*Carico statico (N)*

ød	A	H	Wrench Chiave	Zinc plated steel / Acciaio zincato		Stainless steel AISI 304 / Acciaio inox AISI 304		Stainless steel AISI 316 / Acciaio inox AISI 316		
				Type / Tipo	Code / Codice	Type / Tipo	Code / Codice	Type / Tipo	Code / Codice	
M8x1,25	74	45	6	PS9A	CP000910	PSX9A	CP000943	-	-	12000
	94	65	6	PS9B	CP000911	PSX9B	CP000944	-	-	
	136	107	6	PS9C	CP000912	PSX9C	CP000945	-	-	
M10x1,5	66	35	8	PS9D	CP000913	PSX9D	CP000946	-	-	14000
	101	70	8	PS9E	CP000914	PSX9E	CP000947	-	-	
	146	115	8	PS9F	CP000915	PSX9F	CP000948	-	-	
M12x1,75	76	43	10	PS9G	CP000916	PSX9G	CP000949	-	-	15000
	96	63	10	PS9H	CP000917	PSX9H	CP000950	-	-	
	111	77	10	PS9I	CP000918	PSX9I	CP000951	-	-	
	126	93	10	PS9L	CP000919	PSX9L	CP000952	PSX9AB	CPA00912	
	156	123	10	PS9M	CP000920	PSX9M	CP000953	-	-	
M14x2	96	61	12	PS9N	CP000921	PSX9N	CP000954	-	-	16000
	126	91	12	PS9O	CP000922	PSX9O	CP000955	-	-	
	151	116	12	PS9P	CP000923	PSX9P	CP000956	-	-	
	200	165	12	PS9AA	CPA00910	PSX9AA	CPA00911	-	-	
M16x2	97	60	13	PS9Q	CP000924	PSX9Q	CP000957	PSX9AC	CPA00913	19000
	127	90	13	PS9R	CP000925	PSX9R	CP000958	-	-	
	142	105	13	PS9S	CP000926	PSX9S	CP000959	-	-	
	162	125	13	PS9T	CP000927	PSX9T	CP000960	PSX9AD	CPA00914	
	192	155	13	PS9U	CP000928	PSX9U	CP000961	-	-	
	202	165	13	PS9V	CP000929	PSX9V	CP000962	-	-	
M20x2,5	242	205	13	PS9Z	CP000930	PSX9Z	CP000963	-	-	21000
	127	86	17	PS9W	CP000931	PSX9W	CP000964	-	-	
	157	116	17	PS9X	CP000932	PSX9X	CP000965	-	-	
	182	141	17	PS9Y	CP000933	PSX9Y	CP000966	PSX9AE	CPA00915	
	202	161	17	PS9AF	CPA00916	PSX9AF	CPA00917	-	-	
M24x3	239	198	17	PS9J	CP000934	PSX9J	CP000967	-	-	23000
	137	96	19	PS9K	CP000935	PSX9K	CP000968	-	-	
	163	122	19	PS9α	CP000936	PSX9α	CP000969	-	-	
	193	152	19	PS9β	CP000937	PSX9β	CP000970	-	-	
	223	182	19	PS9γ	CP000938	PSX9γ	CP000971	-	-	
	341	300	19	PS9δ	CP000939	PSX9δ	CP000972	-	-	

**Spindle measures in inches / Misure stelo in pollici**

**Spindle material / Materiale stelo**

**Max static load**  
*Carico statico (N)*

ød	A	H	Wrench / Chiave	Zinc plated steel / Acciaio zincato		Stainless steel AISI 304 / Acciaio inox AISI 304		
				Type / Tipo	Code / Codice	Type / Tipo	Code / Codice	
1/2"-13 UNC	5,20"	4"	7/16"	PS9ε	CP000940	PSX9ε	CP000973	15000
5/8"-11 UNC	8,32"	7"	1/2"	PS9η	CP000941	PSX9η	CP000974	19000
3/4"-10 UNC	8,41"	7"	5/8"	PS9θ	CP000942	PSX9θ	CP000975	21000

**Washers/Rosette UNI 6592-69**

	ø M	M8	M10	M12	M14	M16	M20	M24
<b>S mm</b>		1,6	2	2,5	2,5	3	3	4
<b>ø A mm</b>		17	21	24	28	30	37	44
<b>Code/Codice ZI</b>		CP007636	CP007283	CP007284	CP007285	CP007289	CP007290	CP007293
<b>Code/Codice IN</b>		CP007637	CP007286	CP007287	CP007288	CP007291	CP007292	CP007294

**BASE MATERIAL:** Reinforced polyamide black colour.  
**ACCESSORIES:** Anti-slip pads - code: CP007266; material: thermoplastic rubber 68 Shore black colour.

**Nuts/Dadi UNI 5588-65**

	ø d	M8	M10	M12	M14	M16	M20	M24
<b>S mm</b>		6,5	8	10	11	13	16	19
<b>Ch. mm</b>		13	17	19	22	24	30	36
<b>Code/Codice ZI</b>		CP007634	CP007269	CP007270	CP007271	CP007275	CP007276	CP007279
<b>Code/Codice IN</b>		CP007635	CP007272	CP007273	CP007274	CP007277	CP007278	CP007280

**MATERIALE BASE:** Poliammide rinforzata colore nero.  
**ACCESSORI:** Antivibranti - Codice: CP007266; materiale: gomma termoplastica 68 shore colore nero.

**Articulated feet (base in reinforced polyamide)  $\varnothing$  102 - Part. PS10 and PSX10**  
**Piedi snodati (base in poliammide rinforzata)  $\varnothing$  102 - Part. PS10 e PSX10**


**Spindle measures in mm / Misure stelo in mm**
**Spindle material / Materiale stelo**

$\varnothing d$	A	H	Wrench Chiave	Zinc plated steel Acciaio zincato		Stainless steel AISI 304 Acciaio inox AISI 304		Stainless steel AISI 316 Acciaio inox AISI 316		Max static load Carico statico (N)
				Type Tipo	Code Codice	Type Tipo	Code Codice	Type Tipo	Code Codice	
				M12x1,75	79	43	10	PS10A	CP000976	
	99	63	10	PS10B	CP000977	PSX10B	CP001004	-	-	
	114	78	10	PS10C	CP000978	PSX10C	CP001005	-	-	
	129	93	10	PS10D	CP000979	PSX10D	CP001006	PSX10AB	CPA00978	
	159	123	10	PS10E	CP000980	PSX10E	CP001007	-	-	
M14x2	99	61	12	PS10F	CP000981	PSX10F	CP001008	-	-	18000
	129	91	12	PS10G	CP000982	PSX10G	CP001009	-	-	
	154	116	12	PS10H	CP000983	PSX10H	CP001010	-	-	
	203	165	12	PS10AA	CPA00976	PSX10AA	CPA00977	-	-	
M16x2	100	60	13	PS10I	CP000984	PSX10I	CP001011	PSX10AC	CPA00979	22000
	130	90	13	PS10L	CP000985	PSX10L	CP001012	-	-	
	145	105	13	PS10M	CP000986	PSX10M	CP001013	-	-	
	165	125	13	PS10N	CP000987	PSX10N	CP001014	PSX10AD	CPA00980	
	195	155	13	PS10O	CP000988	PSX10O	CP001015	-	-	
	205	165	13	PS10P	CP000989	PSX10P	CP001016	-	-	
M20x2,5	130	86	17	PS10R	CP000991	PSX10R	CP001018	-	-	24000
	160	116	17	PS10S	CP000992	PSX10S	CP001019	-	-	
	185	141	17	PS10T	CP000993	PSX10T	CP001020	PSX10AE	CPA00981	
	205	161	17	PS10AL	CPA00918	PSX10AL	CPA00917	-	-	
	242	198	17	PS10U	CP000994	PSX10U	CP001021	-	-	
M24x3	140	96	19	PS10V	CP000995	PSX10V	CP001022	-	-	26000
	166	122	19	PS10Z	CP000996	PSX10Z	CP001023	-	-	
	196	152	19	PS10W	CP000997	PSX10W	CP001024	-	-	
	226	182	19	PS10X	CP000998	PSX10X	CP001025	-	-	
	344	300	19	PS10Y	CP000999	PSX10Y	CP001026	-	-	

**Spindle measures in mm / Misure stelo in mm**
**Spindle material / Materiale stelo**
**Max static load**

$\varnothing d$	A	H	Wrench Chiave	Stainless steel AISI 304 / Acciaio inox AISI 304		Max static load Carico statico (N)
				Type/Tipo	Code/Codice	
M24x2	182	138	19	PSX10AF	CPA00982	26000
	197	153	19	PSX10AG	CPA00983	
	255	211	19	PSX10AH	CPA00984	
	300	256	19	PSX10AI	CPA00985	

**Spindle measures in inches / Misure stelo in pollici**
**Spindle material / Materiale stelo**
**Max static load**

$\varnothing d$	A	H	Wrench Chiave	Zinc plated steel Acciaio zincato		Stainless steel AISI 304 Acciaio inox AISI 304		Max static load Carico statico (N)
				Type/Tipo	Code/Codice	Type/Tipo	Code/Codice	
1/2"-13 UNC	5,44"	4"	7/16"	PS10J	CP001000	PSX10J	CP001027	15000
5/8"-11 UNC	8,57"	7"	1/2"	PS10K	CP001001	PSX10K	CP001028	22000
3/4"-10 UNC	8,65"	7"	5/8"	PS10 $\alpha$	CP001002	PSX10 $\alpha$	CP001029	24000

**Washers/Rosette UNI 6592-69**

$\varnothing M$	M12	M14	M16	M20	M24
S mm	2,5	2,5	3	3	4
$\varnothing A$ mm	24	28	30	37	44
Code/Codice ZI	CP007284	CP007285	CP007289	CP007290	CP007293
Code/Codice IN	CP007287	CP007288	CP007291	CP007292	CP007294

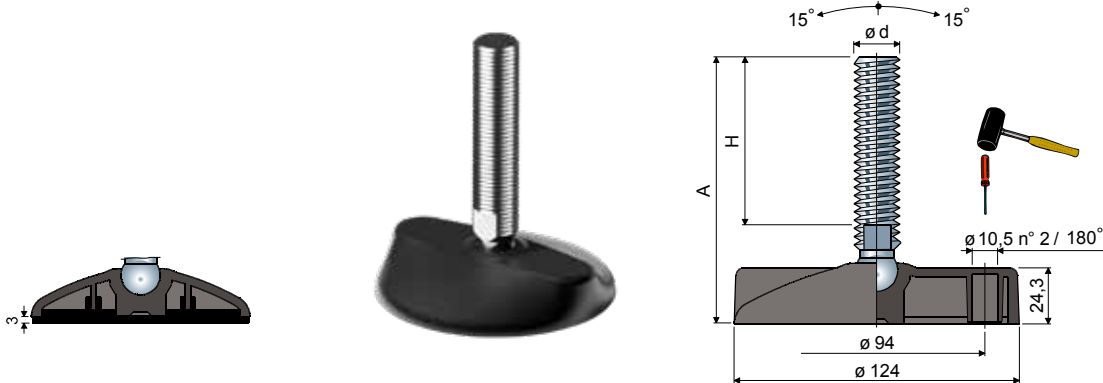
**Nuts/Dadi UNI 5588-65**

$\varnothing d$	M12	M14	M16	M20	M24
S mm	10	11	13	16	19
Ch. mm	19	22	24	30	36
Code/Codice ZI	CP007270	CP007271	CP007275	CP007276	CP007279
Code/Codice IN	CP007273	CP007274	CP007277	CP007278	CP007280

**BASE MATERIAL:** Reinforced polyamide black colour.  
**ACCESSORIES:** Anti-slip pads - code: CP007267; material: thermoplastic rubber 68 Shore black colour.

**MATERIALE BASE:** Poliammide rinforzata colore nero.  
**ACCESSORI:** Antivibranti - Codice: CP007267; materiale: gomma termoplastica 68 shore colore nero.

**Articulated feet (base in reinforced polyamide) ø 124 - Part. PS11 and PSX11**  
**Piedi snodati (base in poliammide rinforzata) ø 124 - Part. PS11 e PSX11**



Spindle measures in mm / Misure stelo in mm

Spindle material / Materiale stelo

ød	A	H	Wrench Chiave	Zinc plated steel Acciaio zincato		Stainless steel AISI 304 Acciaio inox AISI 304		Stainless steel AISI 316 Acciaio inox AISI 316		Max static load Carico statico (N)
				Type Tipo	Code Codice	Type Tipo	Code Codice	Type Tipo	Code Codice	
M14x2	103	61	12	PS11A	CP001030	PSX11A	CP001051	-	-	18000
	133	91	12	PS11B	CP001031	PSX11B	CP001052	-	-	
	158	116	12	PS11C	CP001032	PSX11C	CP001053	-	-	
	207	165	12	PS11W	CPA01030	PSX11W	CPA01031	-	-	
M16x2	104	60	13	PS11D	CP001033	PSX11D	CP001054	PSX11X	CPA01032	25000
	134	90	13	PS11E	CP001034	PSX11E	CP001055	-	-	
	149	105	13	PS11F	CP001035	PSX11F	CP001056	-	-	
	169	125	13	PS11G	CP001036	PSX11G	CP001057	PSX11Y	CPA01033	
	199	155	13	PS11H	CP001037	PSX11H	CP001058	-	-	
	209	165	13	PS11I	CP001038	PSX11I	CP001059	-	-	
	249	205	13	PS11L	CP001039	PSX11L	CP001060	-	-	
M20x2,5	134	86	17	PS11M	CP001040	PSX11M	CP001061	-	-	27000
	164	116	17	PS11N	CP001041	PSX11N	CP001062	-	-	
	189	141	17	PS11O	CP001042	PSX11O	CP001063	PSX11J	CPA01034	
	209	161	17	PS11AD	CPA00920	PSX11AD	CPA00921	-	-	
	246	198	17	PS11P	CP001043	PSX11P	CP001064	-	-	
M24x3	144	96	19	PS11Q	CP001044	PSX11Q	CP001065	-	-	29000
	170	122	19	PS11R	CP001045	PSX11R	CP001066	-	-	
	200	152	19	PS11S	CP001046	PSX11S	CP001067	-	-	
	230	182	19	PS11T	CP001047	PSX11T	CP001068	-	-	
	348	300	19	PS11U	CP001048	PSX11U	CP001069	-	-	

Spindle measures in mm / Misure stelo in mm

Spindle material / Materiale stelo

Max static load

ød	A	H	Wrench Chiave	Stainless steel AISI 304 / Acciaio inox AISI 304		Max static load Carico statico (N)
				Type/Tipo	Code/Codice	
M24x2	186	138	19	PSX11K	CPA01035	29000
	201	153	19	PSX11AA	CPA01036	
	259	211	19	PSX11AB	CPA01037	
	304	256	19	PSX11AC	CPA01038	

Spindle measures in inches / Misure stelo in pollici

Spindle material / Materiale stelo

Max static load

ød	A	H	Wrench Chiave	Zinc plated steel Acciaio zincato		Stainless steel AISI 304 Acciaio inox AISI 304		Max static load Carico statico (N)
				Type/Tipo	Code/Codice	Type/Tipo	Code/Codice	
5/8"-11 UNC	8,75"	7"	1/2"	PS11V	CP001049	PSX11V	CP001070	25000
3/4"-10 UNC	8,82"	7"	5/8"	PS11Z	CP001050	PSX11Z	CP001071	27000

**Washers/Rosette UNI 6592-69**

ø M	M14	M16	M20	M24
S mm	2,5	3	3	4
ø A mm	28	30	37	44
Code/Codice ZI	CP007285	CP007289	CP007290	CP007293
Code/Codice IN	CP007288	CP007291	CP007292	CP007294

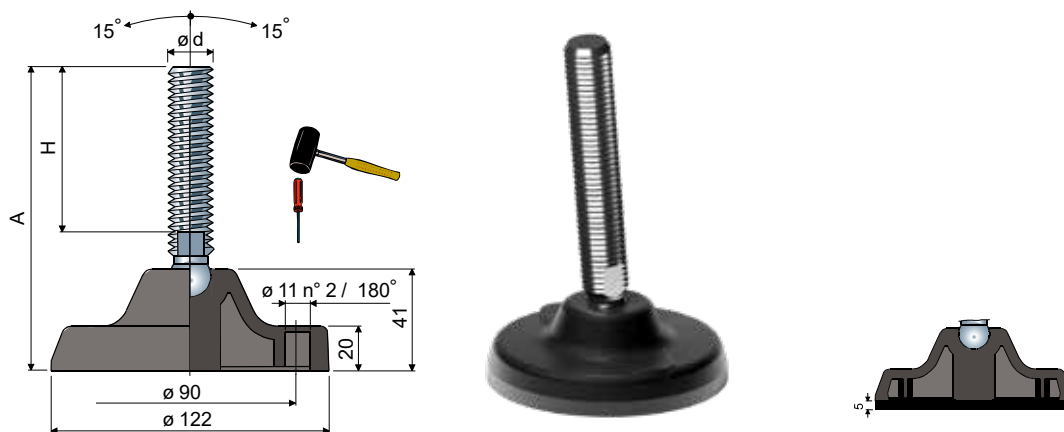
**Nuts/Dadi UNI 5588-65**

ø d	M14	M16	M20	M24
S mm	11	13	16	19
Ch. mm	22	24	30	36
Code/Codice ZI	CP007271	CP007275	CP007276	CP007279
Code/Codice IN	CP007274	CP007277	CP007278	CP007280

**BASE MATERIAL:** Reinforced polyamide black colour.  
**ACCESSORIES:** Anti-slip pads - code: CP007268; material: thermoplastic rubber 68 Shore black colour.

**MATERIALE BASE:** Poliammide rinforzata colore nero.  
**ACCESSORI:** Antivibranti - Codice: CP007268; materiale: gomma termoplastica 68 shore colore nero.

**Articulated feet (base in reinforced polyamide)  $\varnothing$  122 - Part. PS12 and PSX12**  
**Piedi snodati (base in poliammide rinforzata)  $\varnothing$  122 - Part. PS12 e PSX12**


**Spindle measures in mm / Misure stelo in mm**
**Spindle material / Materiale stelo**

$\varnothing d$	A	H	Wrench Chiave	Zinc plated steel Acciaio zincato		Stainless steel AISI 304 Acciaio inox AISI 304		Stainless steel AISI 316 Acciaio inox AISI 316		Max static load Carico statico (N)
				Type	Code	Type	Code	Type	Code	
				Tipo	Codice	Tipo	Codice	Tipo	Codice	
M16x2	118	60	13	PS12A	CP001072	PSX12A	CP001090	PSX121U	CPA01072	25000
	148	90	13	PS12B	CP001073	PSX12B	CP001091	-	-	
	163	105	13	PS12C	CP001074	PSX12C	CP001092	-	-	
	183	125	13	PS12D	CP001075	PSX12D	CP001093	PSX12V	CPA01073	
	213	155	13	PS12E	CP001076	PSX12E	CP001094	-	-	
	223	165	13	PS12F	CP001077	PSX12F	CP001095	-	-	
M20x2,5	263	205	13	PS12G	CP001078	PSX12G	CP001096	-	-	27000
	147	86	17	PS12H	CP001079	PSX12H	CP001097	-	-	
	177	116	17	PS12I	CP001080	PSX12I	CP001098	-	-	
	202	141	17	PS12L	CP001081	PSX12L	CP001099	PSX12Z	CPA01074	
	222	161	17	PS12K	CPA00922	PSX12K	CPA00923	-	-	
M24x3	259	198	17	PS12M	CP001082	PSX12M	CP001100	-	-	29000
	157	96	19	PS12N	CP001083	PSX12N	CP001101	-	-	
	183	122	19	PS12O	CP001084	PSX12O	CP001102	-	-	
	213	152	19	PS12P	CP001085	PSX12P	CP001103	-	-	
	243	182	19	PS12Q	CP001086	PSX12Q	CP001104	-	-	
361	300	19	PS12R	CP001087	PSX12R	CP001105	-	-		

**Spindle measures in mm / Misure stelo in mm**
**Spindle material / Materiale stelo**

$\varnothing d$	A	H	Wrench Chiave	Stainless steel AISI 304 / Acciaio inox AISI 304		Max static load Carico statico (N)
				Type/Tipo	Code/Codice	
M24x2	199	138	19	PSX12W	CPA01075	29000
	214	153	19	PSX12X	CPA01076	
	272	211	19	PSX12Y	CPA01077	
	317	256	19	PSX12J	CPA01078	

**Spindle measures in inches / Misure stelo in pollici**
**Spindle material / Materiale stelo**

$\varnothing d$	A	H	Wrench Chiave	Zinc plated steel Acciaio zincato		Stainless steel AISI 304 Acciaio inox AISI 304		Max static load Carico statico (N)
				Type/Tipo	Code/Codice	Type/Tipo	Code/Codice	
				5/8"-11 UNC	9,29"	7"	1/2"	
3/4"-10 UNC	9,37"	7"	5/8"	PS12T	CP001089	PSX12T	CP001107	27000

**Washers/Rosette UNI 6592-69**

$\varnothing M$	M16	M20	M24
S mm	3	3	4
$\varnothing A$ mm	30	37	44
Code/Codice ZI	CP007289	CP007290	CP007293
Code/Codice IN	CP007291	CP007292	CP007294

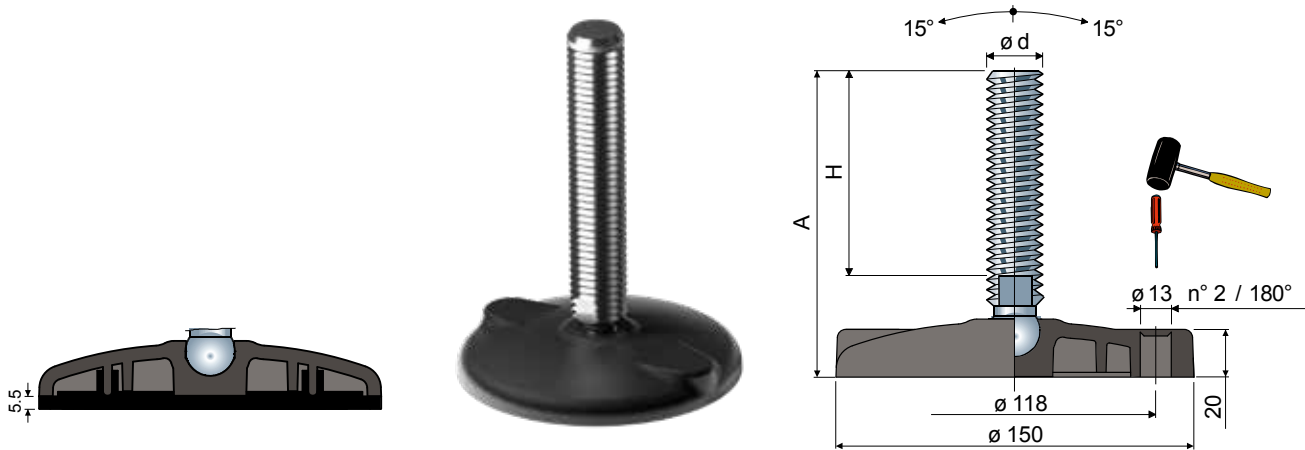
**Nuts/Dadi UNI 5588-65**

$\varnothing d$	M16	M20	M24
S mm	13	16	19
Ch. mm	24	30	36
Code/Codice ZI	CP007275	CP007276	CP007279
Code/Codice IN	CP007277	CP007278	CP007280

**BASE MATERIAL:** Reinforced polyamide black colour.  
**ACCESSORIES:** Anti-slip pads - code: CP007633; material: thermoplastic rubber 68 Shore black colour.

**MATERIALE BASE:** Poliammide rinforzata colore nero.  
**ACCESSORI:** Antivibranti - Codice: CP007633; materiale: gomma termoplastica 68 shore colore nero.

**Articulated feet (base in reinforced polyamide) ø 150 - Part. PS14 and PSX14**  
**Piedi snodati (base in poliammide rinforzata) ø 150 - Part. PS14 e PSX14**



Spindle measures in mm / Misure stelo in mm

Spindle material / Materiale stelo

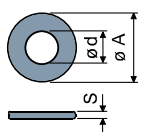
ød	A	H	Wrench Chiave	Zinc plated steel Acciaio zincato			Stainless steel AISI 304 Acciaio inox AISI 304		Stainless steel AISI 316 Acciaio inox AISI 316		Max static load Carico statico (N)
				Type Tipo	Code Codice	Type Tipo	Code Codice	Type Tipo	Code Codice		
M20x2,5	131	86	17	PS14A	CPA00986	PSX14A	CPA00996	-	-	30000	
	161	116	17	PS14B	CPA00987	PSX14B	CPA00997	-	-		
	186	141	17	PS14C	CPA00988	PSX14C	CPA00998	PSX14M	CPA01006		
	206	161	17	PS14R	CPA00924	PSX14R	CPA00925	-	-		
	243	198	17	PS14D	CPA00989	PSX14D	CPA00999	-	-		
M24x3	141	96	19	PS14E	CPA00990	PSX14E	CPA01000	-	-	32000	
	167	122	19	PS14F	CPA00991	PSX14F	CPA01001	-	-		
	197	152	19	PS14G	CPA00992	PSX14G	CPA01002	-	-		
	227	182	19	PS14H	CPA00993	PSX14H	CPA01003	-	-		
	345	300	19	PS14I	CPA00994	PSX14I	CPA01004	-	-		
M30x3,5	189	144	24	PS14L	CPA00995	PSX14L	CPA01005	-	-	33000	

Spindle measures in mm / Misure stelo in mm

Spindle material / Materiale stelo

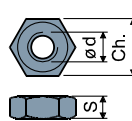
ød	A	H	Wrench Chiave	Stainless steel AISI 304 / Acciaio inox AISI 304		Max static load Carico statico (N)
				Type/Tipo	Code/Codice	
M24x2	183	138	19	PSX14N	CPA01007	32000
	198	153	19	PSX14O	CPA01008	
	256	211	19	PSX14P	CPA01009	
	301	256	19	PSX14Q	CPA01010	

Washers/Rosette UNI 6592-69



	M20	M24	M30
ø M			
S mm	3	4	4
ø A mm	37	44	56
Code/Codice ZI	CP007290	CP007293	CP007295
Code/Codice IN	CP007292	CP007294	PC007296

Nuts/Dadi UNI 5588-65



	M20	M24	M30
ø d			
S mm	16	19	24
Ch. mm	30	36	46
Code/Codice ZI	CP007276	CP007279	CP007281
Code/Codice IN	CP007278	CP007280	CP007282

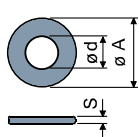
**BASE MATERIAL:** Reinforced polyamide black colour.  
**ACCESSORIES:** Anti-slip pads - code: CP085780; material: thermoplastic rubber 68 Shore black colour.

**MATERIALE BASE:** Poliammide rinforzata colore nero.  
**ACCESSORI:** Antivibranti - Codice: CP085780; materiale: gomma termoplastica 68 shore colore nero.

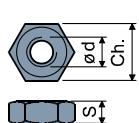
**Adjustable feet (base in reinforced polyamide)  $\varnothing$  50 - Part. PO1 and POX1**  
**Piedi orientabili (base in poliammide rinforzata)  $\varnothing$  50 - Part. PO1 e POX1**


**Spindle measures in mm / Misure stelo in mm**
**Spindle material / Materiale stelo**

$\varnothing d$	A	H	Wrench Chiave	Zinc plated steel Acciaio zincato		Stainless steel AISI 304 Acciaio inox AISI 304		Max static load Carico statico (N)
				Type Tipo	Code Codice	Type Tipo	Code Codice	
				M10x1,5	67	45	17	
	92	70	17	PO1C	CP001110	POX1C	CP001114	
	122	100	17	PO1D	CP001111	POX1D	CP001115	

**Washers/Rosette UNI 6592-69**


$\varnothing M$	M10
S mm	2
$\varnothing A$ mm	21
Code/Codice ZI	CP007283
Code/Codice IN	CP007286

**Nuts/Dadi UNI 5588-65**


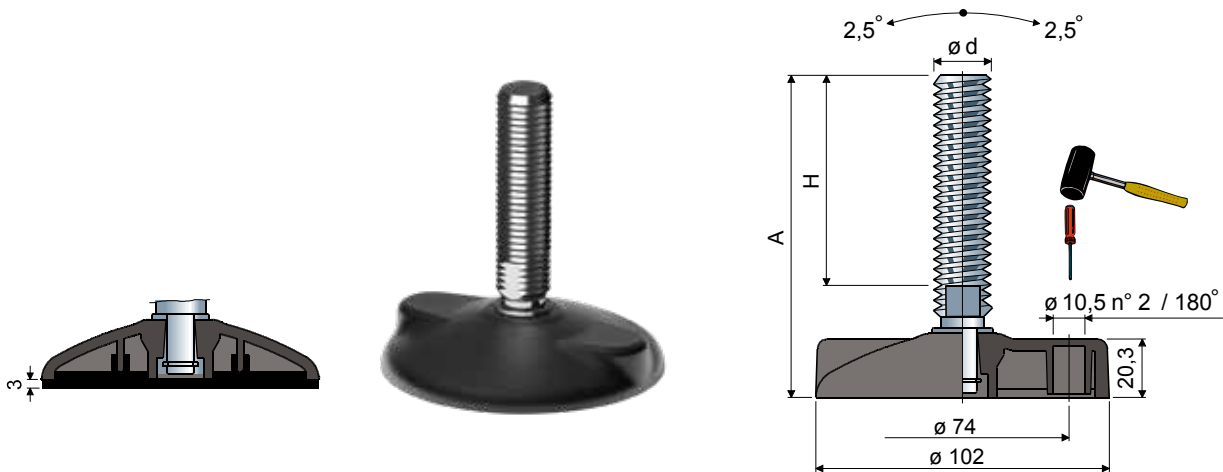
$\varnothing d$	M10
S mm	8
Ch. mm	17
Code/Codice ZI	CP007269
Code/Codice IN	CP007272

**BASE MATERIAL:** Reinforced polyamide black colour.  
**ACCESSORIES:** Anti-slip pads - code: CP007264; material: thermoplastic rubber 68 Shore black colour.

**MATERIALE BASE:** Poliammide rinforzata colore nero.  
**ACCESSORI:** Antivibranti - Codice: CP007264; materiale: gomma termoplastica 68 shore colore nero.



**Adjustable feet (base in reinforced polyamide) ø 102 - Part. PO2 and POX2**  
**Piedi orientabili (base in poliammide rinforzata) ø 102 - Part. PO2 e POX2**



Spindle measures in mm  
Misure stelo in mm

Spindle material / Materiale stelo

Max static load  
Carico statico (N)

ød	A	H	Wrench Chiave	Zinc plated steel / Acciaio zincato		Stainless steel AISI 304 / Acciaio inox AISI 304		Stainless steel AISI 316 / Acciaio inox AISI 316		
				Type / Tipo	Code / Codice	Type / Tipo	Code / Codice	Type / Tipo	Code / Codice	
M16x2	98	58	13	PO2A	CP001116	POX2A	CP001130	-	-	33000
	129	89	13	PO2S	CPA00926	POX2S	CPA00297	-	-	
	159	119	13	PO2B	CP001117	POX2B	CP001131	-	-	
	185	145	13	PO2C	CP001118	POX2C	CP001132	-	-	
	241	201	13	PO2D	CP001119	POX2D	CP001133	-	-	
M18x2,5	197	157	15	PO2E	CP001120	POX2E	CP001134	-	-	
M20x2,5	132	89	17	PO2Q	CPA01116	POX2Q	CPA01117	-	-	35000
	150	107	17	PO2F	CP001121	POX2F	CP001135	-	-	
	179	136	17	PO2G	CP001122	POX2G	CP001136	-	-	
	200	157	17	PO2H	CP001123	POX2H	CP001137	POX2R	CPA01118	
	233	190	17	PO2I	CP001124	POX2I	CP001138	-	-	
	281	238	17	PO2L	CP001125	POX2L	CP001139	-	-	
M24x3	136	90	19	PO2M	CP001126	POX2M	CP001140	-	-	37000
	173	127	19	PO2N	CP001127	POX2N	CP001141	-	-	
	208	162	19	PO2O	CP001128	POX2O	CP001142	-	-	
	248	202	19	PO2P	CP001129	POX2P	CP001143	-	-	

Washers/Rosette UNI 6592-69

	M16	M20	M24
ø M			
S mm	3	3	4
ø A mm	30	37	44
Code/Codice ZI	CP007289	CP007290	CP007293
Code/Codice IN	CP007291	CP007292	CP007294

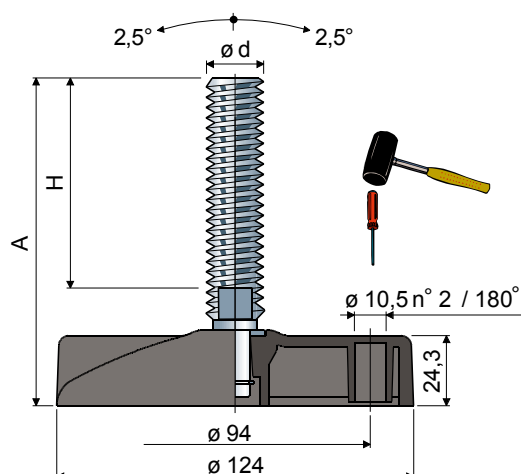
Nuts/Dadi UNI 5588-65

	M16	M20	M24
ø d			
S mm	13	16	19
Ch. mm	24	30	36
Code/Codice ZI	CP007275	CP007276	CP007279
Code/Codice IN	CP007277	CP007278	CP007280

**BASE MATERIAL:** Reinforced polyamide black colour.  
**ACCESSORIES:** Anti-slip pads - code: CP007267; material: thermoplastic rubber 68 Shore black colour.

**MATERIALE BASE:** Poliammide rinforzata colore nero.  
**ACCESSORI:** Antivibranti - Codice: CP007267; materiale: gomma termoplastica 68 shore colore nero.

**Adjustable feet (base in reinforced polyamide)  $\varnothing$  124 - Part. PO3 and POX3**  
**Piedi orientabili (base in poliammide rinforzata)  $\varnothing$  124 - Part. PO3 e POX3**


**Spindle measures in mm**  
*Misure stelo in mm*
**Spindle material / Materiale stelo**
**Max static load**  
**Carico statico (N)**

$\varnothing d$	A	H	Wrench Chiave	Zinc plated steel / Acciaio zincato		Stainless steel AISI 304 / Acciaio inox AISI 304		Stainless steel AISI 316 / Acciaio inox AISI 316		
				Type / Tipo	Code / Codice	Type / Tipo	Code / Codice	Type / Tipo	Code / Codice	
M16x2	100	58	13	PO3A	CP001144	POX3A	CP001160	-	-	43000
	131	89	13	PO3U	CPA00928	POX3U	CPA00929	-	-	
	161	119	13	PO3B	CP001145	POX3B	CP001161	-	-	
	187	145	13	PO3C	CP001146	POX3C	CP001162	-	-	
M18x2,5	243	201	13	PO3D	CP001147	POX3D	CP001163	-	-	45000
	199	157	15	PO3E	CP001148	POX3E	CP001164	-	-	
M20x2,5	134	89	17	PO3S	CPA01144	POX3S	CPA01145	-	-	47000
	152	107	17	PO3F	CP001149	POX3F	CP001165	-	-	
	181	136	17	PO3G	CP001150	POX3G	CP001166	-	-	
	202	157	17	PO3H	CP001151	POX3H	CP001167	POX3T	CPA01146	
	235	190	17	PO3I	CP001152	POX3I	CP001168	-	-	
M24x3	283	238	17	PO3L	CP001153	POX3L	CP001169	-	-	50000
	138	90	19	PO3M	CP001154	POX3M	CP001170	-	-	
	175	127	19	PO3N	CP001155	POX3N	CP001171	-	-	
	210	162	19	PO3O	CP001156	POX3O	CP001172	-	-	
M30x3,5	250	202	19	PO3P	CP001157	POX3P	CP001173	-	-	50000
	173	125	24	PO3Q	CP001158	POX3Q	CP001174	-	-	
	233	185	24	PO3R	CP001159	POX3R	CP001175	-	-	

**Washers/Rosette UNI 6592-69**

$\varnothing M$	M16	M20	M24	M30
<b>S mm</b>	3	3	4	4
<b><math>\varnothing A</math> mm</b>	30	37	44	56
<b>Code/Codice ZI</b>	CP007289	CP007290	CP007293	CP007295
<b>Code/Codice IN</b>	CP007291	CP007292	CP007294	CP007296

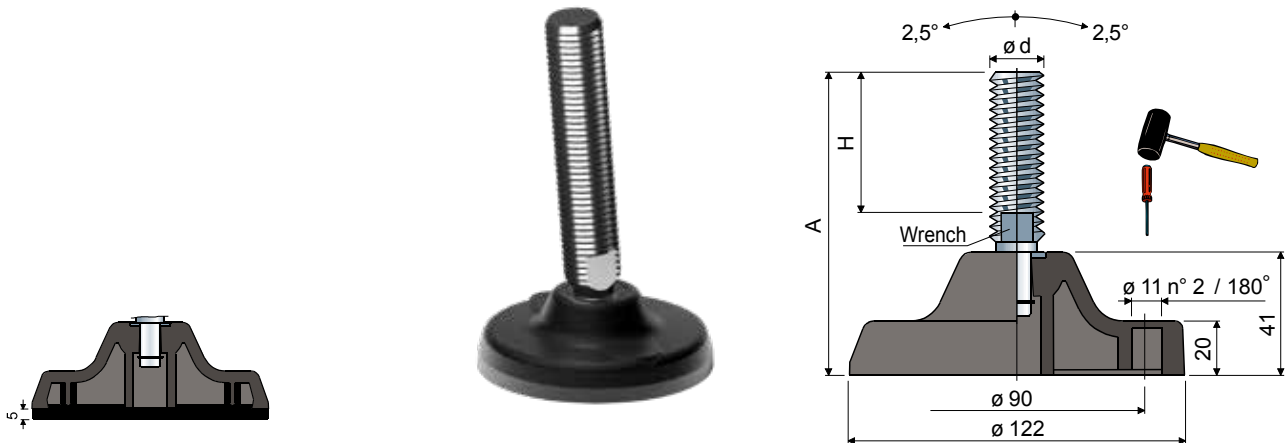
**Nuts/Dadi UNI 5588-65**

$\varnothing d$	M16	M20	M24	M30
<b>S mm</b>	13	16	19	24
<b>Ch. mm</b>	24	30	36	46
<b>Code/Codice ZI</b>	CP007275	CP007276	CP007279	CP007281
<b>Code/Codice IN</b>	CP007277	CP007278	CP007280	CP007282

**BASE MATERIAL:** Reinforced polyamide black colour.  
**ACCESSORIES:** Anti-slip pads - code: CP007268; material: thermoplastic rubber 68 Shore black colour.

**MATERIALE BASE:** Poliammide rinforzata colore nero.  
**ACCESSORI:** Antivibranti - Codice: CP007268; materiale: gomma termoplastica 68 shore colore nero.

**Adjustable feet (base in reinforced polyamide) ø 122 - Part. PO4 and POX4**  
**Piedi orientabili (base in poliammide rinforzata) ø 122 - Part. PO4 e POX4**



Spindle measures in mm  
Misure stelo in mm

Spindle material / Materiale stelo

Max static load  
Carico statico (N)

ød	A	H	Wrench Chiave	Zinc plated steel / Acciaio zincato		Stainless steel AISI 304 / Acciaio inox AISI 304		Stainless steel AISI 316 / Acciaio inox AISI 316		Max static load Carico statico (N)
				Type / Tipo	Code / Codice	Type / Tipo	Code / Codice	Type / Tipo	Code / Codice	
M16x2	119	58	13	PO4A	CP001177	POX4A	CP001193	-	-	43000
	150	89	13	PO4U	CPA00930	POX4U	CPA00931	-	-	
	180	119	13	PO4B	CP001178	POX4B	CP001194	-	-	
	206	145	13	PO4C	CP001179	POX4C	CP001195	-	-	
M18x2,5	262	201	13	PO4D	CP001180	POX4D	CP001196	-	-	45000
	214	157	15	PO4E	CP001181	POX4E	CP001197	-	-	
M20x2,5	150	89	17	PO4S	CPA01177	POX4S	CPA01178	-	-	45000
	171	107	17	PO4F	CP001182	POX4F	CP001198	-	-	
	200	136	17	PO4G	CP001183	POX4G	CP001199	-	-	
	221	157	17	PO4H	CP001184	POX4H	CP001200	POX4T	CPA01179	
	250	190	17	PO4I	CP001185	POX4I	CP001201	-	-	
	298	238	17	PO4L	CP001186	POX4L	CP001202	-	-	
M24x3	157	90	19	PO4M	CP001187	POX4M	CP001203	-	-	47000
	194	127	19	PO4N	CP001188	POX4N	CP001204	-	-	
	229	162	19	PO4O	CP001189	POX4O	CP001205	-	-	
	265	202	19	PO4P	CP001190	POX4P	CP001206	-	-	
M30x3,5	188	125	24	PO4Q	CP001191	POX4Q	CP001207	-	-	50000
	252	185	24	PO4R	CP001192	POX4R	CP001208	-	-	

Washers/Rosette UNI 6592-69

ø M	M16	M20	M24	M30
S mm	3	3	4	4
ø A mm	30	37	44	56
Code/Codice ZI	CP007289	CP007290	CP007293	CP007295
Code/Codice IN	CP007291	CP007292	CP007294	CP007296

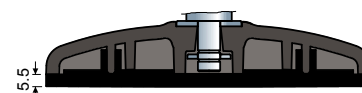
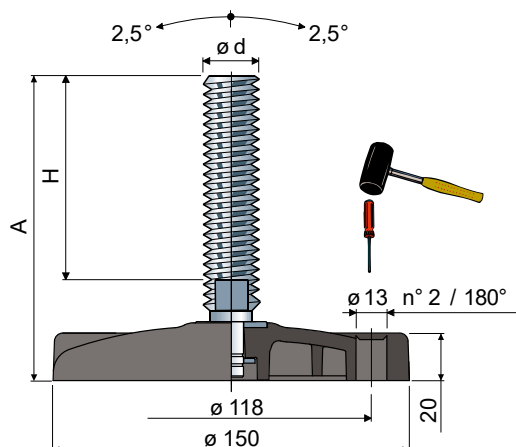
Nuts/Dadi UNI 5588-65

ø d	M16	M20	M24	M30
S mm	13	16	19	24
Ch. mm	24	30	36	46
Code/Codice ZI	CP007275	CP007276	CP007279	CP007281
Code/Codice IN	CP007277	CP007278	CP007280	CP007282

**BASE MATERIAL:** Reinforced polyamide black colour.  
**ACCESSORIES:** Anti-slip pads - code: CP007633; material: thermoplastic rubber 68 Shore black colour.

**MATERIALE BASE:** Poliammide rinforzata colore nero.  
**ACCESSORI:** Antivibranti - Codice: CP007633; materiale: gomma termoplastica 68 shore colore nero.

**Adjustable feet (base in reinforced polyamide) ø 150 - Part. PO23 and POX23**  
**Piedi orientabili (base in poliammide rinforzata) ø 150 - Part. PO23 e POX23**



**Spindle measures in mm**  
*Misure stelo in mm*

**Spindle material / Materiale stelo**

**Max static load**  
*Carico statico (N)*

ød	A	H	Wrench Chiave	Zinc plated steel / Acciaio zincato		Stainless steel AISI 304 / Acciaio inox AISI 304		Stainless steel AISI 316 / Acciaio inox AISI 316		
				Type / Tipo	Code / Codice	Type / Tipo	Code / Codice	Type / Tipo	Code / Codice	
M16x2	98	58	13	PO23A	CPB01499	POX23A	CPC01499	-	-	45000
	129	89	13	PO23U	CPA00932	POX23U	CPA00933	-	-	
	159	119	13	PO23B	CPB01500	POX23B	CPC01500	-	-	
	185	145	13	PO23C	CPB01501	POX23C	CPC01501	-	-	
M18x2,5	241	201	13	PO23D	CPB01502	POX23D	CPC01502	-	-	47000
	197	157	15	PO23E	CPB01503	POX23E	CPC01503	-	-	
M20x2,5	132	89	17	PO23F	CPB01504	POX23F	CPC01504	-	-	49000
	150	107	17	PO23G	CPB01505	POX23G	CPC01505	-	-	
	179	136	17	PO23H	CPB01506	POX23H	CPC01506	-	-	
	200	157	17	PO23I	CPB01507	POX23I	CPC01507	POX23T	CPC01516	
	233	190	17	PO23L	CPB01508	POX23L	CPC01508	-	-	
M24x3	281	238	17	PO23M	CPB01509	POX23M	CPC01509	-	-	52000
	136	90	19	PO23N	CPB01510	POX23N	CPC01510	-	-	
	173	127	19	PO23O	CPB01511	POX23O	CPC01511	-	-	
M30x3,5	208	162	19	PO23P	CPB01512	POX23P	CPC01512	-	-	49000
	248	202	19	PO23Q	CPB01513	POX23Q	CPC01513	-	-	
M30x3,5	171	125	24	PO23R	CPB01514	POX23R	CPC01514	-	-	52000
	231	185	24	PO23S	CPB01515	POX23S	CPC01515	-	-	

**Washers/Rosette UNI 6592-69**

ø M	M16	M20	M24	M30
S mm	3	3	4	4
ø A mm	30	37	44	56
Code/Codice ZI	CP007289	CP007290	CP007293	CP007295
Code/Codice IN	CP007291	CP007292	CP007294	CP007296

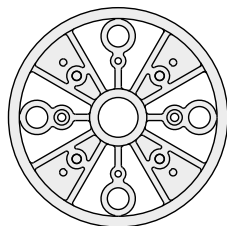
**Nuts/Dadi UNI 5588-65**

ø d	M16	M20	M24	M30
S mm	13	16	19	24
Ch. mm	24	30	36	46
Code/Codice ZI	CP007275	CP007276	CP007279	CP007281
Code/Codice IN	CP007277	CP007278	CP007280	CP007282

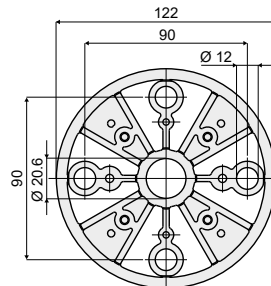
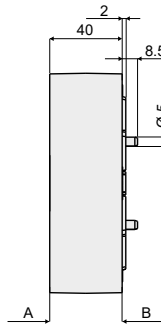
**BASE MATERIAL:** Reinforced polyamide black colour.  
**ACCESSORIES:** Anti-slip pads - code: CP085780; material: thermoplastic rubber 68 Shore black colour.

**MATERIALE BASE:** Poliammide rinforzata colore nero.  
**ACCESSORI:** Antivibranti - Codice: CP085780; materiale: gomma termoplastica 68 shore colore nero.

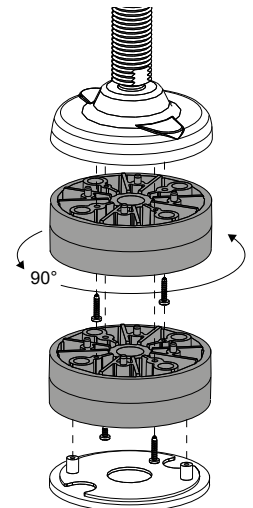
**Spacer (for Part. PS12, PO4) - Part. DT1**  
**Distanziale (per Part. PS12, PO4) - Part. DT1**



A view  
Vista da A



B view  
Vista da B



Application example  
Esempio di applicazione

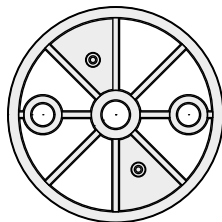
Type/Tipo	Code/Codice
DT1	CP001176

**MATERIALS:** Spacer in reinforced polyamide black colour.  
**FEATURES:** To be used with foot-plates Part. PS12 and PO4 to increase the height of the foot-plates. It is possible to assemble the anti-slip code CP007633.

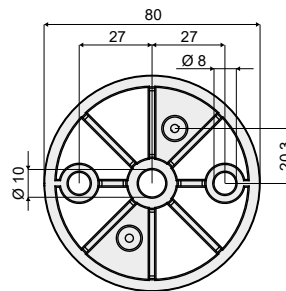
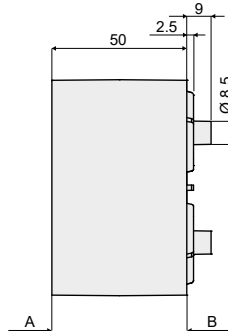
**MATERIALE BASE:** Distanziale in poliammide rinforzata colore nero.

**CARATTERISTICHE:** Da utilizzare con i Part. PS12 e PO4 per incrementare l'altezza dei piedi. Possibilità di montaggio con antivibrante codice CP007633.

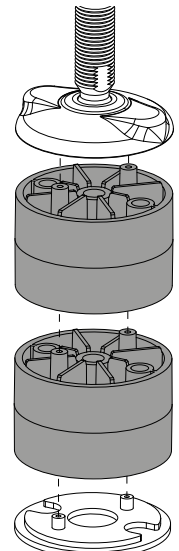
**Spacer (for Part. PS3, PS9) - Part. DT2**  
**Distanziale (per Part. PS3, PS9) - Part. DT2**



A view  
Vista da A



B view  
Vista da B



Application example  
Esempio di applicazione

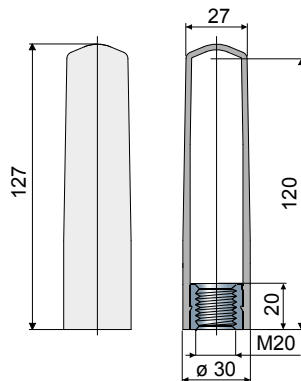
Type/Tipo	Code/Codice
DT2	CPA01176

**MATERIALS:** Spacer in reinforced polyamide black colour.  
**FEATURES:** To be used with foot-plates Part. PS3 and PS9 to increase the height of the foot-plates. It is possible to assemble the anti-slip code CP007266.

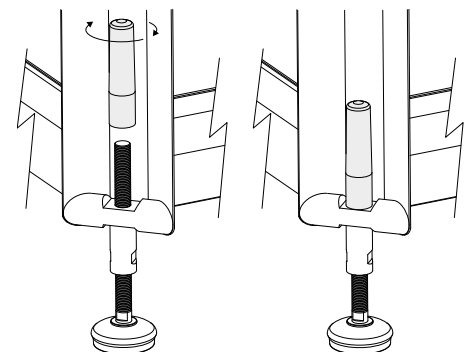
**MATERIALE BASE:** Distanziale in poliammide rinforzata colore nero.

**CARATTERISTICHE:** Da utilizzare con i Part. PS3 e PS9 per incrementare l'altezza dei piedi. Possibilità di montaggio con antivibrante codice CP007266.

**Protection cap (for M20 spindle) - Part. U28**  
**Cuffia di protezione (per stelo M20) - Part. U28**



Application example  
Esempio di applicazione



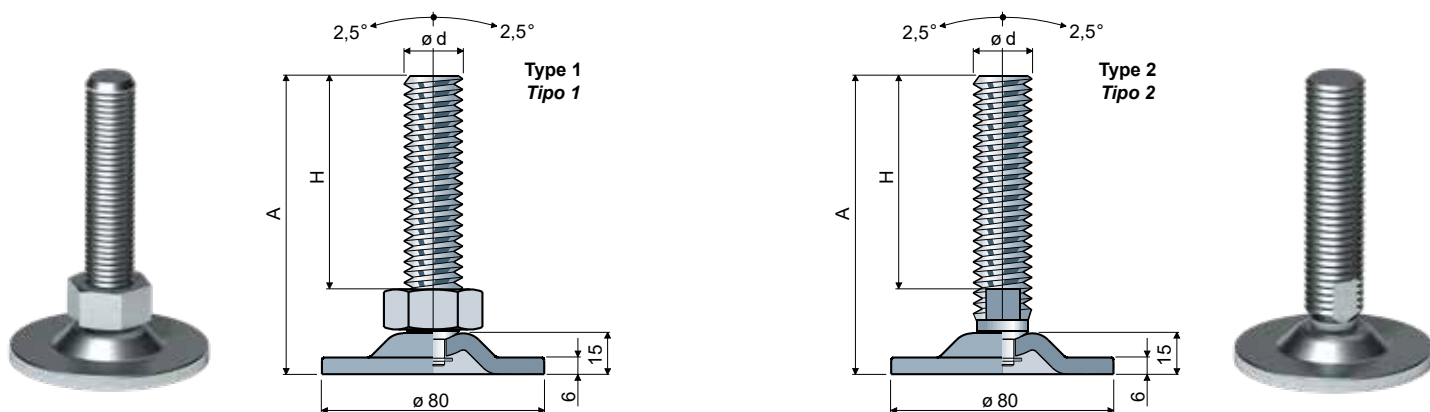
Type/Tipo	Code/Codice
U28	CPB01176

**MATERIALS:** Cap in polypropylene grey colour, threaded bushing in nickel plated brass.  
**FEATURES:** To be screwed as a thread protection on M20 spindles, for total protection of the thread.

**MATERIALE BASE:** Cuffia in poliammide colore grigio; boccola filettata in ottone nichelato.

**CARATTERISTICHE:** Da avvitare come protezione del filetto sullo stelo M20, per la protezione totale del filetto.

**Adjustable feet (base in steel) ø 80 - Part. PO5**  
**Piedi orientabili (base in acciaio) ø 80 - Part. PO5**



Spindle measures in mm / Misure stelo in mm

ø d	A	H	Wrench Chiave	Spindle and base in zinc plated steel Stelo e base in acciaio zincato				Max static load Carico statico (N)
				Type/Tipo 1	Code/Codice	Type/Tipo 2	Code/Codice	
M20x2,5	120	87	17	PO5A	CP001209	-	-	40000
	152	117	30	PO5C	CPA01209	-	-	
	160	127	30	PO5D	CPA01210	-	-	
M24x3	120	85	19	-	-	PO5B	CP001210	

Washers/Rosette UNI 6592-69

ø M	M20	M24
S mm	3	4
ø A mm	37	44
Code/Codice ZI	CP007290	CP007293

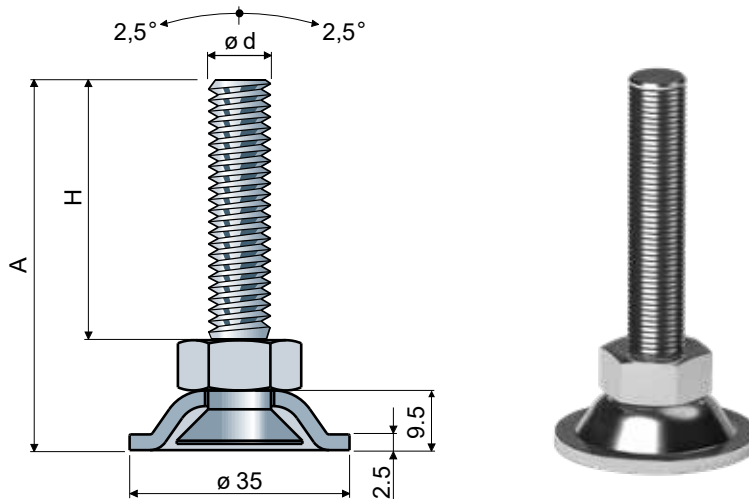
Nuts/Dadi UNI 5588-65

ø d	M20	M24
S mm	16	19
Ch. mm	30	36
Code/Codice ZI	CP007276	CP007279

**MATERIAL:** Base and spindle in zinc-plated steel.

**MATERIALE:** Base e stelo in acciaio zincato.

**Adjustable feet (base in steel) ø 35 - Part. PO19 and POX19**  
**Piedi orientabili (base in acciaio) ø 35 - Part. PO19 e POX19**



Spindle measures in mm / Misure stelo in mm

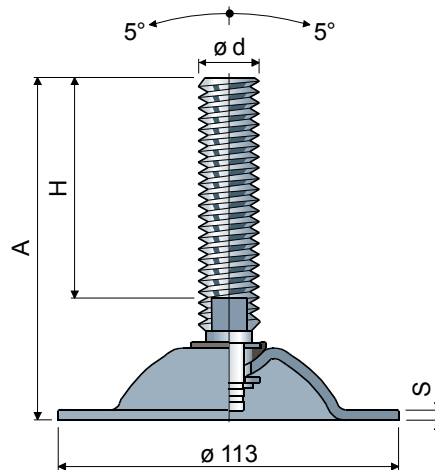
ø d	A	H	Wrench Chiave	Spindle material / Materiale stelo				Max static load Carico statico (N)
				Zinc plated steel Acciaio zincato		Stainless steel AISI 304 Acciaio inox AISI 304		
				Type Tipo	Code Codice	Type Tipo	Code Codice	
M10x1,5	66	48,5	17	PO19A	CPA01180	POX19A	CPA01183	10000
	91	73,5	17	PO19B	CPA01181	POX19B	CPA01184	
	121	103,5	17	PO19C	CPA01182	POX19C	CPA01185	

**MATERIAL:** Base in stainless steel AISI 304.

**MATERIALE:** Base in acciaio inox AISI 304.



**Adjustable feet (base in steel)  $\varnothing$  113 - Part. PO6 and POX6**  
**Piedi orientabili (base in acciaio)  $\varnothing$  113 - Part. PO6 e POX6**



Spindle measures in mm / Misure stelo in mm

Spindle material / Materiale stelo

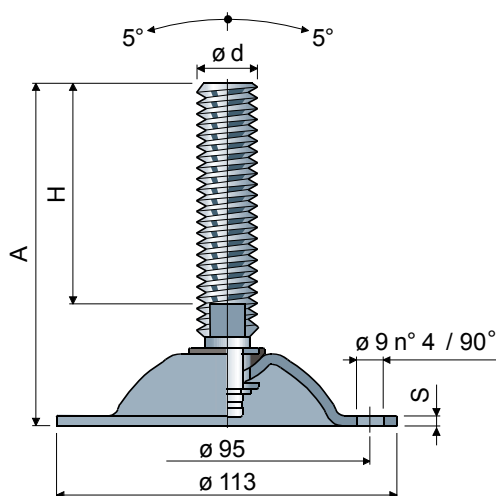
$\varnothing d$	A	H	Wrench Chiave	Zinc plated steel Acciaio zincato		Stainless steel AISI 304 Acciaio inox AISI 304		Max static load Carico statico (N)
				Type Tipo	Code Codice	Type Tipo	Code Codice	
M16x2	100	58	13	PO6A	CP001211	POX6A	CP001227	15000 (zinc plated) S = 3,5
	131	89	13	PO6U	CPA00934	POX6U	CPA00935	
	161	119	13	PO6B	CP001212	POX6B	CP001228	
	187	145	13	PO6C	CP001213	POX6C	CP001229	
M18x2,5	243	201	13	PO6D	CP001214	POX6D	CP001230	
	199	157	15	PO6E	CP001215	POX6E	CP001231	
	134	89	17	PO6T	CPA01211	POX6T	CPA01212	
M20x2,5	152	107	17	PO6F	CP001216	POX6F	CP001232	
	181	136	17	PO6G	CP001217	POX6G	CP001233	
	202	157	17	PO6H	CP001218	POX6H	CP001234	
	235	190	17	PO6I	CP001219	POX6I	CP001235	
	283	238	17	PO6L	CP001220	POX6L	CP001236	
M24x3	138	90	19	PO6M	CP001221	POX6M	CP001237	10000 (AISI 304) S = 3
	175	127	19	PO6N	CP001222	POX6N	CP001238	
	210	162	19	PO6O	CP001223	POX6O	CP001239	
	250	202	19	PO6P	CP001224	POX6P	CP001240	
M30x3,5	173	125	24	PO6Q	CP001225	POX6Q	CP001241	
	233	185	24	PO6R	CP001226	POX6R	CP001242	

**Washers/Rosette UNI 6592-69**

$\varnothing M$	M16	M20	M24	M30
S mm	3	3	4	4
$\varnothing A$ mm	30	37	44	56
Code/Codice ZI	CP007289	CP007290	CP007293	CP007295
Code/Codice IN	CP007291	CP007292	CP007294	CP007296

**Nuts/Dadi UNI 5588-65**

$\varnothing d$	M16	M20	M24	M30
S mm	13	16	19	24
Ch. mm	24	30	36	46
Code/Codice ZI	CP007275	CP007276	CP007279	CP007281
Code/Codice IN	CP007277	CP007278	CP007280	CP007282

**Adjustable feet (base in steel)  $\varnothing$  113 - Part. PO7 and POX7**
**Piedi orientabili (base in acciaio)  $\varnothing$  113 - Part. PO7 e POX7**

**Spindle measures in mm / Misure stelo in mm**
**Spindle material / Materiale stelo**

ød	A	H	Wrench Chiave	Zinc plated steel Acciaio zincato		Stainless steel AISI 304 Acciaio inox AISI 304		Max static load Carico statico (N)
				Type Tipo	Code Codice	Type Tipo	Code Codice	
M16x2	100	58	13	PO7A	CP001243	POX7A	CP001259	15000 (zinc plated) S = 3,5
	131	89	13	PO7U	CPA00936	POX7U	CPA00937	
	161	119	13	PO7B	CP001244	POX7B	CP001260	
	187	145	13	PO7C	CP001245	POX7C	CP001261	
M18x2,5	243	201	13	PO7D	CP001246	POX7D	CP001262	
	199	157	15	PO7E	CP001247	POX7E	CP001263	
	134	89	17	PO7S	CPA01243	POX7S	CPA01244	
M20x2,5	152	107	17	PO7F	CP001248	POX7F	CP001264	
	181	136	17	PO7G	CP001249	POX7G	CP001265	
	202	157	17	PO7H	CP001250	POX7H	CP001266	
	235	190	17	PO7I	CP001251	POX7I	CP001267	
	283	238	17	PO7L	CP001252	POX7L	CP001268	
M24x3	138	90	19	PO7M	CP001253	POX7M	CP001269	10000 (AISI 304) S = 3
	175	127	19	PO7N	CP001254	POX7N	CP001270	
	210	162	19	PO7O	CP001255	POX7O	CP001271	
	250	202	19	PO7P	CP001256	POX7P	CP001272	
M30x3,5	173	125	24	PO7Q	CP001257	POX7Q	CP001273	
	233	185	24	PO7R	CP001258	POX7R	CP001274	

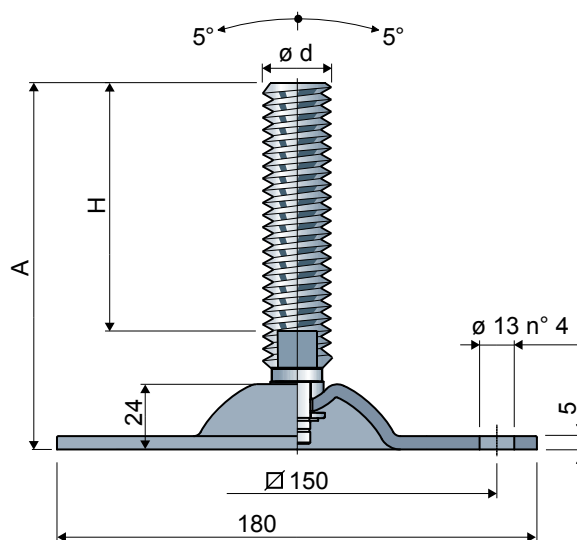
**Washers/Rosette UNI 6592-69**

ø M	M16	M20	M24	M30
S mm	3	3	4	4
ø A mm	30	37	44	56
Code/Codice ZI	CP007289	CP007290	CP007293	CP007295
Code/Codice IN	CP007291	CP007292	CP007294	CP007296

**Nuts/Dadi UNI 5588-65**

ø d	M16	M20	M24	M30
S mm	13	16	19	24
Ch. mm	24	30	36	46
Code/Codice ZI	CP007275	CP007276	CP007279	CP007281
Code/Codice IN	CP007277	CP007278	CP007280	CP007282

**Adjustable feet (base in steel) 180x180 - Part. PO8 and POX8**  
**Piedi orientabili (base in acciaio) 180x180 - Part. PO8 e POX8**



Spindle measures in mm / Misure stelo in mm

Spindle material / Materiale stelo

$\varnothing d$	A	H	Wrench Chiave	Zinc plated steel Acciaio zincato		Stainless steel AISI 304 Acciaio inox AISI 304		Max static load Carico statico (N)
				Type Tipo	Code Codice	Type Tipo	Code Codice	
M16x2	100	57	13	PO8A	CP001275	POX8A	CPA01275	45000
	131	89	13	PO8U	CPA00938	POX8U	CPA00939	
	161	118	13	PO8B	CP001276	POX8B	CPA01276	
	187	144	13	PO8C	CP001277	POX8C	CPA01277	
M18x2,5	243	200	13	PO8D	CP001278	POX8D	CPA01278	46000
	199	157	15	PO8E	CP001279	POX8E	CPA01279	
M20x2,5	134	89	17	PO8S	CPB01275	POX8S	CPB01276	47000
	152	107	17	PO8F	CP001280	POX8F	CPA01280	
	181	136	17	PO8G	CP001281	POX8G	CPA01281	
	202	157	17	PO8H	CP001282	POX8H	CPA01282	
	235	190	17	PO8I	CP001283	POX8I	CPA01283	
M24x3	283	238	17	PO8L	CP001284	POX8L	CPA01284	48000
	138	90	19	PO8M	CP001285	POX8M	CPA01285	
	175	127	19	PO8N	CP001286	POX8N	CPA01286	
	210	162	19	PO8O	CP001287	POX8O	CPA01287	
M30x3,5	250	202	19	PO8P	CP001288	POX8P	CPA01288	49000
	173	125	24	PO8Q	CP001289	POX8Q	CPA01289	
	233	185	24	PO8R	CP001290	POX8R	CPA01290	

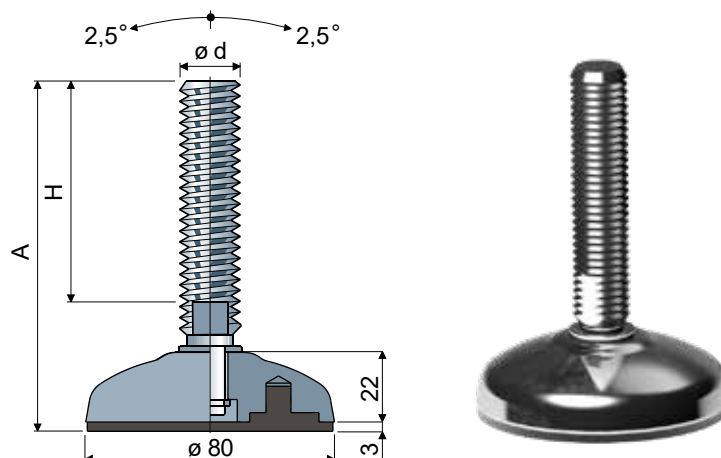
**Washers/Rosette UNI 6592-69**

$\varnothing M$	M16	M20	M24	M30
S mm	3	3	4	4
$\varnothing A$ mm	30	37	44	56
Code/Codice ZI	CP007289	CP007290	CP007293	CP007295
Code/Codice IN	CP007291	CP007292	CP007294	CP007296

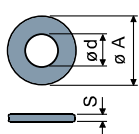
**Nuts/Dadi UNI 5588-65**

$\varnothing d$	M16	M20	M24	M30
S mm	13	16	19	24
Ch. mm	24	30	36	46
Code/Codice ZI	CP007275	CP007276	CP007279	CP007281
Code/Codice IN	CP007277	CP007278	CP007280	CP007282

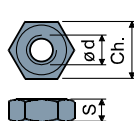
**Adjustable feet (base in nickel plated steel)  $\varnothing$  80 - Part. PO9 and POX9**  
**Piedi orientabili (base in acciaio nichelato)  $\varnothing$  80 - Part. PO9 e POX9**


**Spindle measures in mm / Misure stelo in mm**
**Spindle material / Materiale stelo**

ød	A	H	Wrench Chiave	Zinc plated steel Acciaio zincato		Stainless steel AISI 304 Acciaio inox AISI 304		Max static load Carico statico (N)
				Type Tipo	Code Codice	Type Tipo	Code Codice	
M16x2	101	58	13	PO9A	CP001291	POX9A	CP001305	46000
	132	89	13	PO9R	CPA00940	POX9R	CPA00941	
	162	119	13	PO9B	CP001292	POX9B	CP001306	
	188	145	13	PO9C	CP001293	POX9C	CP001307	
	244	201	13	PO9D	CP001294	POX9D	CP001308	
M18x2,5	200	157	15	PO9E	CP001295	POX9E	CP001309	47000
	135	89	17	PO9Q	CPA01291	POX9Q	CPA01292	
M20x2,5	153	107	17	PO9F	CP001296	POX9F	CP001310	
	182	136	17	PO9G	CP001297	POX9G	CP001311	
	203	157	17	PO9H	CP001298	POX9H	CP001312	
	236	190	17	PO9I	CP001299	POX9I	CP001313	
	284	238	17	PO9L	CP001300	POX9L	CP001314	
M24x3	139	90	19	PO9M	CP001301	POX9M	CP001315	48000
	176	127	19	PO9N	CP001302	POX9N	CP001316	
	211	162	19	PO9O	CP001303	POX9O	CP001317	
	250	202	19	PO9P	CP001304	POX9P	CP001318	

**Washers/Rosette UNI 6592-69**


ø M	M16	M20	M24
S mm	3	3	4
ø A mm	30	37	44
Code/Codice ZI	CP007289	CP007290	CP007293
Code/Codice IN	CP007291	CP007292	CP007294

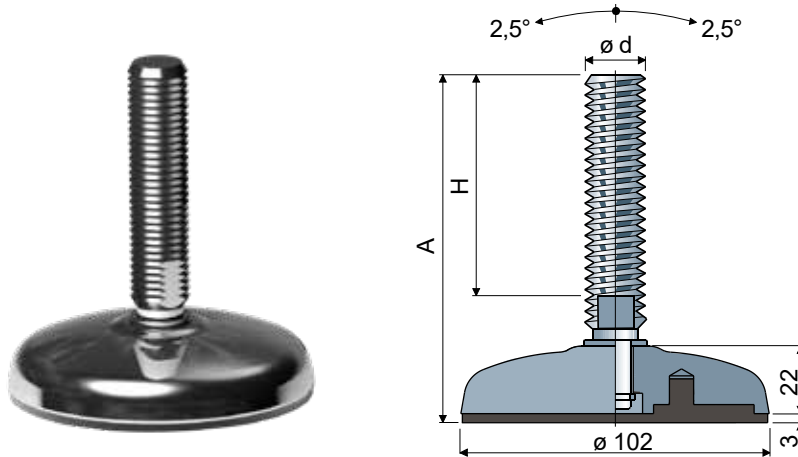
**Nuts/Dadi UNI 5588-65**


ø d	M16	M20	M24
S mm	13	16	19
Ch. mm	24	30	36
Code/Codice ZI	CP007275	CP007276	CP007279
Code/Codice IN	CP007277	CP007278	CP007280

**BASE MATERIAL:** Nickel plated steel.

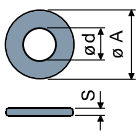
 **MATERIALE BASE:** Acciaio nichelato.

**Adjustable feet (base in steel)  $\varnothing$  102 - Part. PO10 and POX10**  
**Piedi orientabili (base in acciaio)  $\varnothing$  102 - Part. PO10 e POX10**



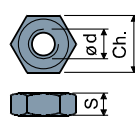
Spindle measures in mm / Misure stelo in mm				Base in nickel plated steel Base in acciaio nichelato		Base in nickel plated steel Base in acciaio nichelato		Base in stainless steel AISI 304 Base in acciaio inox AISI 304		Max static load Carico statico (N)
$\varnothing d$	A	H	Wrench Chiave	Spindle in zinc plated steel Stelo in acciaio zincato		Spindle in stainless steel AISI 304 Stelo in acciaio inox AISI 304		Spindle in stainless steel AISI 304 Stelo in acciaio inox AISI 304		
				Type Tipo	Code Codice	Type Tipo	Code Codice	Type Tipo	Code Codice	
M16x2	101	58	13	PO10A	CP001319	POX10A	CP001333	POX10XA	CPA01333	50000
	132	89	13	PO10R	CPA00942	POX10R	CPA00943	POX10XR	CPA00944	
	162	119	13	PO10B	CP001320	POX10B	CP001334	POX10XB	CPA01334	
	188	145	13	PO10C	CP001321	POX10C	CP001335	POX10XC	CPA01335	
M18x2,5	244	201	13	PO10D	CP001322	POX10D	CP001336	POX10XD	CPA01336	51000
	200	157	15	PO10E	CP001323	POX10E	CP001337	POX10XE	CPA01337	
M20x2,5	135	89	17	PO10Q	CPA01319	POX10Q	CPA01320	POX10XQ	CPA01321	51000
	153	107	17	PO10F	CP001324	POX10F	CP001338	POX10XF	CPA01338	
	182	136	17	PO10G	CP001325	POX10G	CP001339	POX10XG	CPA01339	
	203	157	17	PO10H	CP001326	POX10H	CP001340	POX10XH	CPA01340	
	236	190	17	PO10I	CP001327	POX10I	CP001341	POX10XI	CPA01341	
M24x3	284	238	17	PO10L	CP001328	POX10L	CP001342	POX10XL	CPA01342	52000
	139	90	19	PO10M	CP001329	POX10M	CP001343	POX10XM	CPA01343	
	176	127	19	PO10N	CP001330	POX10N	CP001344	POX10XN	CPA01344	
	211	162	19	PO10O	CP001331	POX10O	CP001345	POX10XO	CPA01345	
	250	202	19	PO10P	CP001332	POX10P	CP001346	POX10XP	CPA01346	

**Washers/Rosette UNI 6592-69**



$\varnothing M$	M16	M20	M24
<b>S mm</b>	3	3	4
<b><math>\varnothing A</math> mm</b>	30	37	44
<b>Code/Codice ZI</b>	CP007289	CP007290	CP007293
<b>Code/Codice IN</b>	CP007291	CP007292	CP007294

**Nuts/Dadi UNI 5588-65**

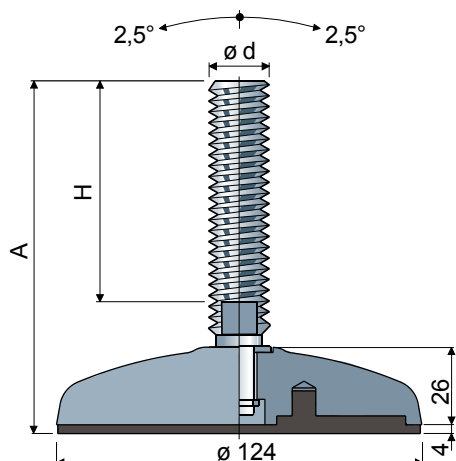


$\varnothing d$	M16	M20	M24
<b>S mm</b>	13	16	19
<b>Ch. mm</b>	24	30	36
<b>Code/Codice ZI</b>	CP007275	CP007276	CP007279
<b>Code/Codice IN</b>	CP007277	CP007278	CP007280

**BASE MATERIAL:** Nickel plated steel or stainless steel AISI 304.

**MATERIALE BASE:** Acciaio nichelato o acciaio inox AISI 304.

**Adjustable feet (base in steel)  $\varnothing$  124 - Part. PO11 and POX11**  
**Piedi orientabili (base in acciaio)  $\varnothing$  124 - Part. PO11 e POX11**



Spindle measures in mm / Misure stelo in mm				Base in nickel plated steel Base in acciaio nichelato		Base in nickel plated steel Base in acciaio nichelato		Base in stainless steel AISI 304 Base in acciaio inox AISI 304		Max static load Carico statico (N)
$\varnothing d$	A	H	Wrench Chiave	Spindle in zinc plated steel Stelo in acciaio zincato		Spindle in stainless steel AISI 304 Stelo in acciaio inox AISI 304		Spindle in stainless steel AISI 304 Stelo in acciaio inox AISI 304		
				Type Tipo	Code Codice	Type Tipo	Code Codice	Type Tipo	Code Codice	
M16x2	104	58	13	PO11A	CP001347	POX11A	CP001363	POX11XA	CPA01363	55000
	135	89	13	PO11T	CPA00945	POX11T	CPA00946	POX11XT	CPA00947	
	165	119	13	PO11B	CP001348	POX11B	CP001364	POX11XB	CPA01364	
	191	145	13	PO11C	CP001349	POX11C	CP001365	POX11XC	CPA01365	
M18x2,5	247	201	13	PO11D	CP001350	POX11D	CP001366	POX11XD	CPA01366	56000
	203	157	15	PO11E	CP001351	POX11E	CP001367	POX11XE	CPA01367	
M20x2,5	138	89	17	PO11S	CPA01347	POX11S	CPA01348	POX11XS	CPA01349	57000
	156	107	17	PO11F	CP001352	POX11F	CP001368	POX11XF	CPA01368	
	185	136	17	PO11G	CP001353	POX11G	CP001369	POX11XG	CPA01369	
	206	157	17	PO11H	CP001354	POX11H	CP001370	POX11XH	CPA01370	
	239	190	17	PO11I	CP001355	POX11I	CP001371	POX11XI	CPA01371	
M24x3	287	238	17	PO11L	CP001356	POX11L	CP001372	POX11XL	CPA01372	58000
	142	90	19	PO11M	CP001357	POX11M	CP001373	POX11XM	CPA01373	
	179	127	19	PO11N	CP001358	POX11N	CP001374	POX11XN	CPA01374	
	214	162	19	PO11O	CP001359	POX11O	CP001375	POX11XO	CPA01375	
M30x3,5	254	202	19	PO11P	CP001360	POX11P	CP001376	POX11XP	CPA01376	58000
	177	125	24	PO11Q	CP001361	POX11Q	CP001377	POX11XQ	CPA01377	
	237	185	24	PO11R	CP001362	POX11R	CP001378	POX11XR	CPA01378	

**Washers/Rosette UNI 6592-69**

$\varnothing M$	M16	M20	M24	M30
S mm	3	3	4	4
$\varnothing A$ mm	30	37	44	56
Code/Codice ZI	CP007289	CP007290	CP007293	CP007295
Code/Codice IN	CP007291	CP007292	CP007294	CP007296

**Nuts/Dadi UNI 5588-65**

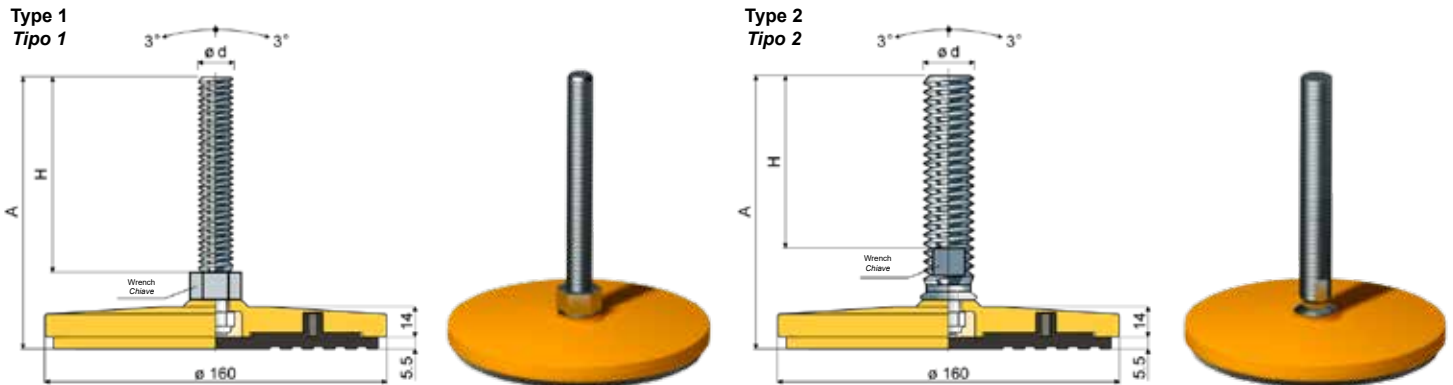
$\varnothing d$	M16	M20	M24	M30
S mm	13	16	19	24
Ch. mm	24	30	36	46
Code/Codice ZI	CP007275	CP007276	CP007279	CP007281
Code/Codice IN	CP007277	CP007278	CP007280	CP007282

**BASE MATERIAL:** Nickel plated steel or stainless steel AISI 304.

**MATERIALE BASE:** Acciaio nichelato o acciaio inox AISI 304.



**Adjustable feet (painted steel base RAL 1007) ø 160 - Part. PO31 and POX31**  
**Piedi orientabili (base in acciaio RAL 1007) ø 160 - Part. PO31 e POX31**



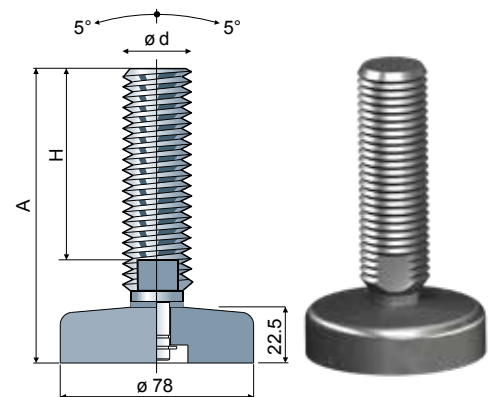
ød	Spindle measures in mm Misure stelo in mm			Spindle in zinc plated steel Stelo in acciaio zincato				Spindle in stainless steel AISI 304 Stelo in acciaio inox AISI 304				Max static load Carico statico (N)
	A	H	Wrench Chiave	Type 1 Tipo 1	Code Codice	Type 2 Tipo 2	Code Codice	Type 1 Tipo 1	Code Codice	Type 2 Tipo 2	Code Codice	
M16x2	93	57	24	PO31A	CPB00419	-	-	POX31A	CPB00435	-	-	50000
	154	118	24	PO31B	CPB00420	-	-	POX31B	CPB00436	-	-	
	180	144	24	PO31C	CPB00421	-	-	POX31C	CPB00437	-	-	
	236	200	24	PO31D	CPB00422	-	-	POX31D	CPB00438	-	-	
M20x2,5	132	89	17	-	-	PO31E	CPB00423	-	-	POX31E	CPB00439	
	150	107	17	-	-	PO31F	CPB00424	-	-	POX31F	CPB00440	
	179	136	17	-	-	PO31G	CPB00425	-	-	POX31G	CPB00441	
	200	157	17	-	-	PO31H	CPB00426	-	-	POX31H	CPB00442	
	233	190	17	-	-	PO31I	CPB00427	-	-	POX31I	CPB00443	
	281	238	17	-	-	PO31L	CPB00428	-	-	POX31L	CPB00444	
M24x3	136	90	19	-	-	PO31M	CPB00429	-	-	POX31M	CPB00445	
	173	127	19	-	-	PO31N	CPB00430	-	-	POX31N	CPB00446	
	208	162	19	-	-	PO31O	CPB00431	-	-	POX31O	CPB00447	
	248	202	19	-	-	PO31P	CPB00432	-	-	POX31P	CPB00448	
M30x3,5	170	125	24	-	-	PO31Q	CPB00433	-	-	POX31Q	CPB00449	
	230	185	24	-	-	PO31R	CPB00434	-	-	POX31R	CPB00450	

**MATERIAL:** Painted steel color YELLOW RAL 1007.

**MATERIALE BASE:** Acciaio verniciato colore GIALLO RAL 1007.

**Adjustable feet sanitizable (stainless steel base for important loads) ø 78 - Part. PO24**  
**Piedi sanificabili orientabili (base in acciaio inox per grandi portate) ø 78 - Part. PO24**

ød	A	H	Wrench Chiave	Spindle and base in stainless steel AISI 304		Max static load Carico statico (N)
				Stelo e base in acciaio inox AISI 304 Type/Tipo	Code/Codice	
M16x2	99	58	13	PO24A	CPA01186	52000
	130	89	13	PO24S	CPA00948	
	160	119	13	PO24B	CPA01187	
	186	145	13	PO24C	CPA01188	
	242	201	13	PO24D	CPA01189	
M20x2,5	132	89	17	PO24E	CPA01190	
	150	107	17	PO24F	CPA01191	
	179	136	17	PO24G	CPA01192	
	200	157	17	PO24H	CPA01193	
	233	190	17	PO24I	CPA01194	
	281	238	17	PO24L	CPA01195	
M24x3	136	90	19	PO24M	CPA01196	
	173	127	19	PO24N	CPA01197	
	208	162	19	PO24O	CPA01198	
	248	202	19	PO24P	CPA01199	
M30x3,5	171	125	24	PO24Q	CPA01200	
	231	185	24	PO24R	CPA01201	



**Washers/Rosette UNI 6592-69**

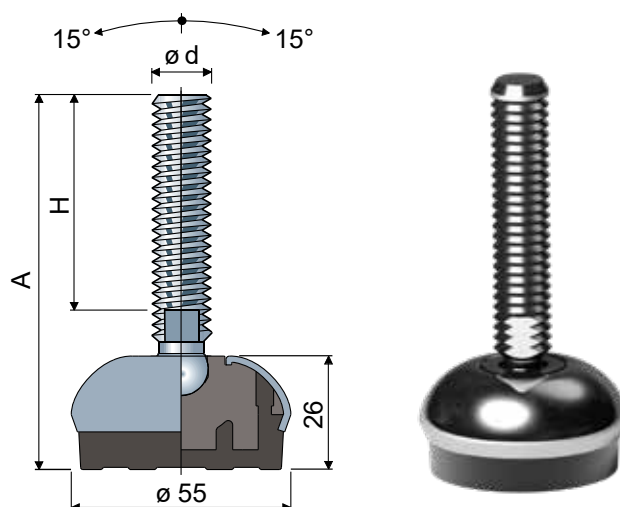
ø M	M16	M20	M24	M30
S mm	3	3	4	4
ø A mm	30	37	44	56
Code/Codice IN	CP007291	CP007292	CP007294	CP007296

**Nuts/Dadi UNI 5588-65**

ø d	M16	M20	M24	M30
S mm	13	16	19	24
Ch. mm	24	30	36	46
Code/Codice IN	CP007277	CP007278	CP007280	CP007282

**BASE MATERIAL:** Spindle and base in stainless steel AISI 304.

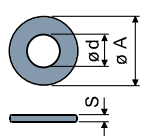
**MATERIALE BASE:** Base e stelo in acciaio inox AISI 304.

**Articulated feet sanitizable (stainless steel base)  $\varnothing$  55 - Part. PO25**
**Piedi sanificabili snodati (base in acciaio inox)  $\varnothing$  55 - Part. PO25**

**Spindle measures in mm / Misure stelo in mm**

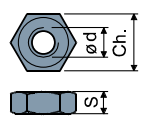
$\varnothing d$	A	H	Wrench Chiave	Spindle and base in stainless steel AISI 304 Stelo e base in acciaio inox AISI 304		Max static load Carico statico (N)
				Type/Tipo	Code/Codice	
M8x1,25	80	45	6	PO25A	CPA01147	11000
	100	65	6	PO25B	CPA01148	
	142	107	6	PO25C	CPA01149	
M10x1,5	71	35	8	PO25D	CPA01150	12000
	107	70	8	PO25E	CPA01151	
	152	115	8	PO25F	CPA01152	
M12x1,75	82	43	10	PO25G	CPA01153	13000
	102	63	10	PO25H	CPA01154	
	116	77	10	PO25I	CPA01155	
	132	93	10	PO25L	CPA01156	
M14x2	162	123	10	PO25M	CPA01157	14000
	102	61	12	PO25N	CPA01158	
	132	91	12	PO25O	CPA01159	
M16x2	157	116	12	PO25P	CPA01160	15000
	103	60	13	PO25Q	CPA01161	
	133	90	13	PO25R	CPA01162	
	148	105	13	PO25S	CPA01163	
	168	125	13	PO25T	CPA01164	
	198	155	13	PO25U	CPA01165	
	208	165	13	PO25V	CPA01166	
	248	205	13	PO25Z	CPA01167	

**Spindle measures in inches / Misure stelo in pollici**

$\varnothing d$	A	H	Wrench Chiave	Spindle and base in stainless steel AISI 304 Stelo e base in acciaio inox AISI 304		Max static load Carico statico (N)
				Type/Tipo	Code/Codice	
1/2"-13 UNC	5,19"	4"	7/16"	PO25W	CPA01168	13000
5/8"-11 UNC	8,70"	7"	1/2"	PO25X	CPA01169	15000
3/4"-10 UNC	8,78"	7"	5/8"	PO25Y	CPA01170	19000

**Washers/Rosette UNI 6592-69**


$\varnothing M$	M8	M10	M12	M14	M16
S mm	1,6	2	2,5	2,5	3
$\varnothing A$ mm	17	21	24	28	30
Code/Codice IN	CP007637	CP007286	CP007287	CP007288	CP007291

**Nuts/Dadi UNI 5588-65**


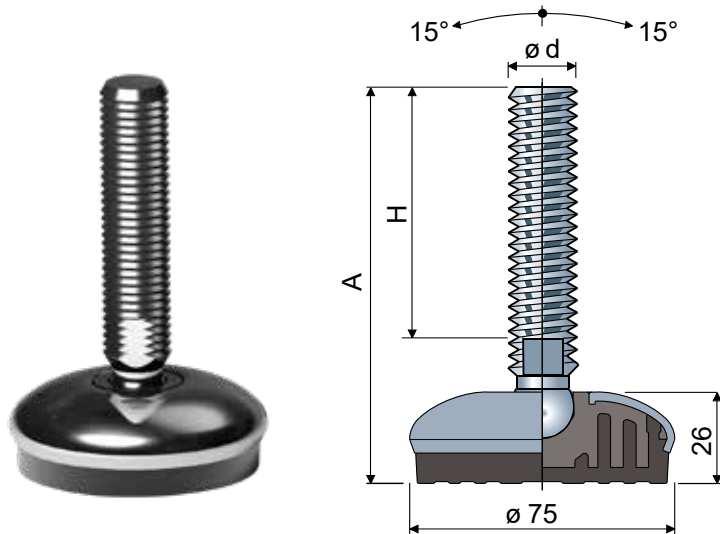
$\varnothing d$	M8	M10	M12	M14	M16
S mm	6,5	8	10	11	13
Ch. mm	13	17	19	22	24
Code/Codice IN	CP007635	CP007272	CP007273	CP007274	CP007277

**BASE MATERIAL:** Internal part made of reinforced polyamide; external covering made of stainless steel AISI 304; anti-slip pad made of thermoplastic rubber 68 Shore black colour. **FEATURES:** Co-moulded anti-slip pad allows a perfect adherence with steel base. Consequent absence of internal cavities makes foot extremely cleanable.

**MATERIALE BASE:** Anima interna in poliammide + FV; rivestimento esterno in acciaio inox AISI 304; antivibrante in gomma termoplastica 68 shore colore nero.

**CARATTERISTICHE:** L'antivibrante costampato consente una perfetta aderenza con la base in acciaio. La conseguente aderenza di cavità interne rende il piede estremamente sanificabile.

**Articulated feet sanitizable (stainless steel base)  $\varnothing$  75 - Part. PO12**  
**Piedi sanificabili snodati (base in acciaio inox)  $\varnothing$  75 - Part. PO12**



Spindle measures in mm / Misure stelo in mm

ød	A	H	Wrench Chiave	Spindle and base in stainless steel AISI 304 Stelo e base in acciaio inox AISI 304		Max static load Carico statico (N)
				Type/Tipo	Code/Codice	
M16x2	103	60	13	PO12A	CP001379	19000
	133	90	13	PO12B	CP001380	
	148	105	13	PO12C	CP001381	
	168	125	13	PO12D	CP001382	
	198	155	13	PO12E	CP001383	
	208	165	13	PO12F	CP001384	
M20x2,5	248	205	13	PO12G	CP001385	21000
	132	86	17	PO12H	CP001386	
	162	116	17	PO12I	CP001387	
	187	141	17	PO12L	CP001388	
	207	161	17	PO12V	CPA00949	
	244	198	17	PO12M	CP001389	
M24x3	142	96	19	PO12N	CP001390	23000
	168	122	19	PO12O	CP001391	
	198	152	19	PO12P	CP001392	
	228	182	19	PO12Q	CP001393	
M30x3,5	346	300	19	PO12R	CP001394	25000
	190	144	24	PO12U	CPA01379	

Spindle measures in inches / Misure stelo in pollici

ød	A	H	Wrench Chiave	Spindle and base in stainless steel AISI 304 Stelo e base in acciaio inox AISI 304		Max static load Carico statico (N)
				Type/Tipo	Code/Codice	
5/8"-11 UNC	8,70"	7"	1/2"	PO12S	CP001395	19000
3/4"-10 UNC	8,78"	7"	5/8"	PO12T	CP001396	21000

**Washers/Rosette UNI 6592-69**

ø M	M16	M20	M24	M30
S mm	3	3	4	4
ø A mm	30	37	44	56
Code/Codice IN	CP007291	CP007292	CP007294	CP007296

**Nuts/Dadi UNI 5588-65**

ø d	M16	M20	M24	M30
S mm	13	16	19	24
Ch. mm	24	30	36	46
Code/Codice IN	CP007277	CP007278	CP007280	CP007282

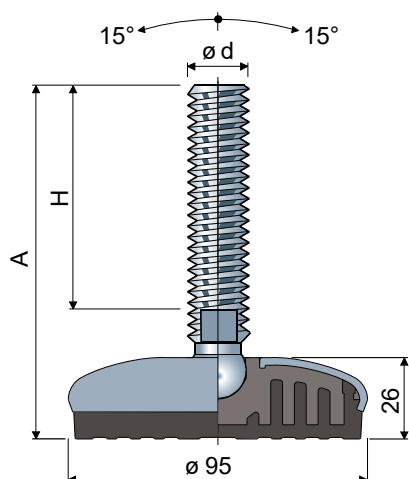
**BASE MATERIAL:** Internal part made of reinforced polyamide; external covering made of stainless steel AISI 304; anti-slip pad made of thermoplastic rubber 68 Shore black colour.

**FEATURES:** Co-moulded anti-slip pad allows a perfect adherence with steel base. Consequent absence of internal cavities makes foot extremely cleanable.

**MATERIALE BASE:** Anima interna in poliammide + FV; rivestimento esterno in acciaio inox AISI 304; antivibrante in gomma termoplastica 68 shore colore nero.

**CARATTERISTICHE:** L'antivibrante costampato consente una perfetta aderenza con la base in acciaio. La conseguente aderenza di cavità interne rende il piede estremamente sanificabile.

**Articulated feet sanitizable (stainless steel base) ø 95 - Part. PO14**  
**Piedi sanificabili snodati (base in acciaio inox) ø 95 - Part. PO14**



Spindle measures in mm / Misure stelo in mm

ød	A	H	Wrench Chiave	Spindle and base in stainless steel AISI 304 Stelo e base in acciaio inox AISI 304		Max static load Carico statico (N)
				Type/Tipo	Code/Codice	
M16x2	103	60	13	PO14A	CP001415	22000
	133	90	13	PO14B	CP001416	
	148	105	13	PO14C	CP001417	
	168	125	13	PO14D	CP001418	
	198	155	13	PO14E	CP001419	
	208	165	13	PO14F	CP001420	
	248	205	13	PO14G	CP001421	
M20x2,5	132	86	17	PO14H	CP001422	24000
	162	116	17	PO14I	CP001423	
	187	141	17	PO14L	CP001424	
	207	161	17	PO14Y	CPA00950	
	244	198	17	PO14M	CP001425	
M24x3	142	96	19	PO14N	CP001426	26000
	168	122	19	PO14O	CP001427	
	198	152	19	PO14P	CP001428	
	228	182	19	PO14Q	CP001429	
M30x3,5	346	300	19	PO14R	CP001430	28000
	190	144	24	PO14U	CPA01428	

Spindle measures in mm / Misure stelo in mm

ød	A	H	Wrench Chiave	Spindle and base in stainless steel AISI 304 Stelo e base in acciaio inox AISI 304		Max static load Carico statico (N)
				Type/Tipo	Code/Codice	
M24x2	184	138	19	PO14V	CPA01429	26000
	199	153	19	PO14Z	CPA01430	
	257	211	19	PO14W	CPA01431	
	302	256	19	PO14X	CPA01432	

Spindle measures in inches / Misure stelo in pollici

ød	A	H	Wrench Chiave	Spindle and base in stainless steel AISI 304 Stelo e base in acciaio inox AISI 304		Max static load Carico statico (N)
				Type/Tipo	Code/Codice	
5/8"-11 UNC	8,70"	7"	1/2"	PO14S	CP001431	22000
3/4"-10 UNC	8,78"	7"	5/8"	PO14T	CP001432	24000

**Washers/Rosette** UNI 6592-69

ø M	M16	M20	M24	M30
S mm	3	3	4	4
ø A mm	30	37	44	56
Code/Codice IN	CP007291	CP007292	CP007294	CP007296

**BASE MATERIAL:** Internal part made of reinforced polyamide; external covering made of stainless steel AISI 304; anti-slip pad made of thermoplastic rubber 68 Shore black colour.

**FEATURES:** Co-moulded anti-slip pad allows a perfect adherence with steel base. Consequent absence of internal cavities makes foot extremely cleanable.

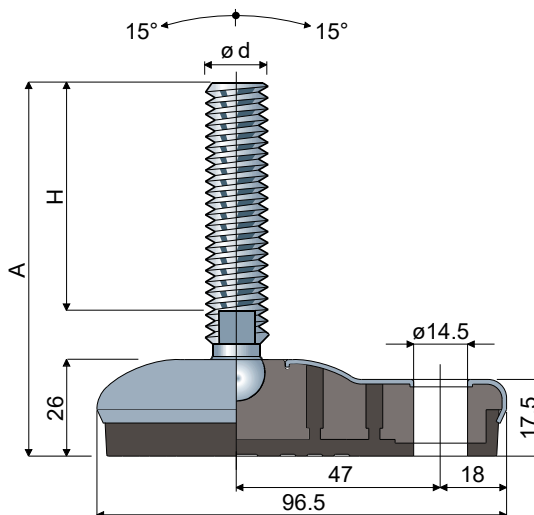
**Nuts/Dadi** UNI 5588-65

ø d	M16	M20	M24	M30
S mm	13	16	19	24
Ch. mm	24	30	36	46
Code/Codice IN	CP007277	CP007278	CP007280	CP007282

**MATERIALE BASE:** Anima interna in poliammide + FV; rivestimento esterno in acciaio inox AISI 304; antivibrante in gomma termoplastica 68 shore colore nero.

**CARATTERISTICHE:** L'antivibrante costampato consente una perfetta aderenza con la base in acciaio. La conseguente aderenza di cavità interne rende il piede estremamente sanificabile.

**Articulated feet sanitizable with side fixing system (stainless steel base) 65x96 - Part. PO20**  
**Piedi sanificabili snodati con fissaggio laterale (base in acciaio inox) 65x96 - Part. PO20**



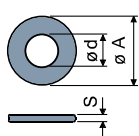
Spindle measures in mm / Misure stelo in mm

$\phi d$	A	H	Wrench Chiave	Spindle and base in stainless steel AISI 304 Stelo e base in acciaio inox AISI 304		Max static load Carico statico (N)
				Type/Tipo	Code/Codice	
M8x1,25	80	45	6	PO20A	CPA01407	13000
	100	65	6	PO20B	CPA01408	
	142	107	6	PO20C	CPA01409	
M10x1,5	71	35	8	PO20D	CPA01410	14000
	107	70	8	PO20E	CPA01411	
	152	115	8	PO20F	CPA01412	
M12x1,75	82	43	10	PO20G	CPA01413	15000
	102	63	10	PO20H	CPA01414	
	116	77	10	PO20I	CPA01415	
	132	93	10	PO20L	CPA01416	
	162	123	10	PO20M	CPA01417	
M14x2	102	61	12	PO20N	CPA01418	16000
	132	91	12	PO20O	CPA01419	
	157	116	12	PO20P	CPA01420	
M16x2	103	60	13	PO20Q	CPA01421	17000
	133	90	13	PO20R	CPA01422	
	148	105	13	PO20S	CPA01423	
	168	125	13	PO20T	CPA01424	
	198	155	13	PO20U	CPA01425	
	208	165	13	PO20V	CPA01426	
	248	205	13	PO20Z	CPA01427	

Spindle measures in inches / Misure stelo in pollici

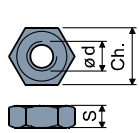
$\phi d$	A	H	Wrench Chiave	Spindle and base in stainless steel AISI 304 Stelo e base in acciaio inox AISI 304		Max static load Carico statico (N)
				Type/Tipo	Code/Codice	
1/2"-13 UNC	5,20"	3,64"	7/16"	PO20W	CPB01420	22000
5/8"-11 UNC	8,7"	7"	1/2"	PO20X	CPB01421	22000
3/4"-10 UNC	8,77"	7"	5/8"	PO20Y	CPB01422	24000

**Washers/Rosette** UNI 6592-69



$\phi M$	M8	M10	M12	M14	M16
S mm	1,6	2	2,5	2,5	3
$\phi A$ mm	17	21	24	28	30
Code/Codice IN	CP007637	CP007286	CP007287	CP007288	CP007291

**Nuts/Dadi** UNI 5588-65



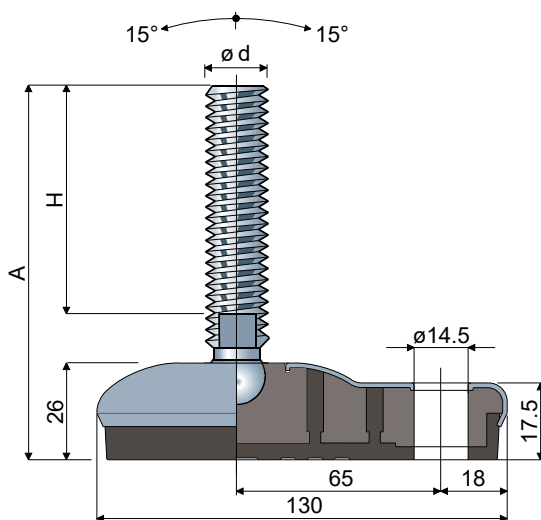
$\phi d$	M8	M10	M12	M14	M16
S mm	6,5	8	10	11	13
Ch. mm	13	17	19	22	24
Code/Codice IN	CP007635	CP007272	CP007273	CP007274	CP007277

**BASE MATERIAL:** Internal part made of reinforced polyamide; external covering made of stainless steel AISI 304; anti-slip pad made of thermoplastic rubber 68 Shore black colour. **FEATURES:** Co-moulded anti-slip pad allows a perfect adherence with steel base. Consequent absence of internal cavities makes foot extremely cleanable.

**MATERIALE BASE:** Anima interna in poliammide + FV; rivestimento esterno in acciaio inox AISI 304; antivibrante in gomma termoplastica 68 shore colore nero.

**CARATTERISTICHE:** L'antivibrante costampato consente una perfetta aderenza con la base in acciaio. La conseguente aderenza di cavità interne rende il piede estremamente sanificabile.

**Articulated feet sanitizable with side fixing system (stainless steel base) 95x130 - Part. PO21**  
**Piedi sanificabili snodati con fissaggio laterale (base in acciaio inox) 95x130 - Part. PO21**



Spindle measures in mm / Misure stelo in mm

ød	A	H	Wrench Chiave	Spindle and base in stainless steel AISI 304 Stelo e base in acciaio inox AISI 304		Max static load Carico statico (N)
				Type/Tipo	Code/Codice	
M16x2	103	60	13	PO21A	CPB01451	22000
	133	90	13	PO21B	CPB01452	
	148	105	13	PO21C	CPB01453	
	168	125	13	PO21D	CPB01454	
	198	155	13	PO21E	CPB01455	
	208	165	13	PO21F	CPB01456	
M20x2,5	248	205	13	PO21G	CPB01457	24000
	134	86	17	PO21H	CPB01458	
	164	116	17	PO21I	CPB01459	
	189	141	17	PO21L	CPB01460	
	209	161	17	PO21J	CPA00951	
M24x3	246	198	17	PO21M	CPB01461	26000
	143	96	19	PO21N	CPB01462	
	169	122	19	PO21O	CPB01463	
	199	152	19	PO21P	CPB01464	
M30x3,5	229	182	19	PO21Q	CPB01465	28000
	347	300	19	PO21R	CPB01466	
	188	144	24	PO21S	CPB01467	

Spindle measures in mm / Misure stelo in mm

ød	A	H	Wrench Chiave	Spindle and base in stainless steel AISI 304 Stelo e base in acciaio inox AISI 304		Max static load Carico statico (N)
				Type/Tipo	Code/Codice	
M24x2	185	138	19	PO21T	CPB01468	26000
	200	153	19	PO21U	CPB01469	
	258	211	19	PO21V	CPB01470	
	303	256	19	PO21Z	CPB01471	

Spindle measures in inches / Misure stelo in pollici

ød	A	H	Wrench Chiave	Spindle and base in stainless steel AISI 304 Stelo e base in acciaio inox AISI 304		Max static load Carico statico (N)
				Type/Tipo	Code/Codice	
5/8"-11 UNC	8,76"	7"	1/2"	PO21X	CPB01472	22000
3/4"-10 UNC	8,84"	7"	5/8"	PO21Y	CPB01473	24000

**Washers/Rosette UNI 6592-69**

ø M	M16	M20	M24	M30
S mm	3	3	4	4
ø A mm	30	37	44	56
Code/Codice IN	CP007291	CP007292	CP007294	CP007296

**BASE MATERIAL:** Internal part made of reinforced polyamide; external covering made of stainless steel AISI 304; anti-slip pad made of thermoplastic rubber 68 Shore black colour.

**FEATURES:** Co-moulded anti-slip pad allows a perfect adherence with steel base. Consequent absence of internal cavities makes foot extremely cleanable.

**Nuts/Dadi UNI 5588-65**

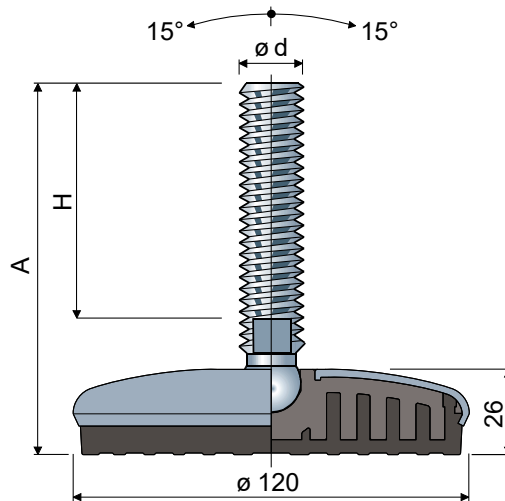
ø d	M16	M20	M24	M30
S mm	13	16	19	24
Ch. mm	24	30	36	46
Code/Codice IN	CP007277	CP007278	CP007280	CP007282

**MATERIALE BASE:** Anima interna in poliammide + FV; rivestimento esterno in acciaio inox AISI 304; antivibrante in gomma termoplastica 68 shore colore nero.

**CARATTERISTICHE:** L'antivibrante costampato consente una perfetta aderenza con la base in acciaio. La conseguente aderenza di cavità interne rende il piede estremamente sanificabile.



**Articulated feet sanitizable (stainless steel base) ø 120 - Part. PO16**  
**Piedi sanificabili snodati (base in acciaio inox) ø 120 - Part. PO16**



Spindle measures in mm / Misure stelo in mm

ød	A	H	Wrench Chiave	Spindle and base in stainless steel AISI 304 Stelo e base in acciaio inox AISI 304		Max static load Carico statico (N)
				Type/Tipo	Code/Codice	
M16x2	103	60	13	PO16A	CP001451	25000
	133	90	13	PO16B	CP001452	
	148	105	13	PO16C	CP001453	
	168	125	13	PO16D	CP001454	
	198	155	13	PO16E	CP001455	
	208	165	13	PO16F	CP001456	
M20x2,5	248	205	13	PO16G	CP001457	27000
	132	86	17	PO16H	CP001458	
	162	116	17	PO16I	CP001459	
	187	141	17	PO16L	CP001460	
	207	161	17	PO16J	CPA00952	
M24x3	244	198	17	PO16M	CP001461	29000
	142	96	19	PO16N	CP001462	
	168	122	19	PO16O	CP001463	
	198	152	19	PO16P	CP001464	
M30x3,5	228	182	19	PO16Q	CP001465	31000
	346	300	19	PO16R	CP001466	
	191	144	24	PO16U	CPC01451	

Spindle measures in mm / Misure stelo in mm

ød	A	H	Wrench Chiave	Spindle and base in stainless steel AISI 304 Stelo e base in acciaio inox AISI 304		Max static load Carico statico (N)
				Type/Tipo	Code/Codice	
M24x2	184	138	19	PO16V	CPC01452	29000
	199	153	19	PO16Z	CPC01453	
	257	211	19	PO16W	CPC01454	
	302	256	19	PO16X	CPC01455	

Spindle measures in inches / Misure stelo in pollici

ød	A	H	Wrench Chiave	Spindle and base in stainless steel AISI 304 Stelo e base in acciaio inox AISI 304		Max static load Carico statico (N)
				Type/Tipo	Code/Codice	
5/8"-11 UNC	8,70"	7"	1/2"	PO16S	CP001467	25000
3/4"-10 UNC	8,78"	7"	5/8"	PO16T	CP001468	27000

**Washers/Rosette** UNI 6592-69

ø M	M16	M20	M24	M30
S mm	3	3	4	4
ø A mm	30	37	44	56
Code/Codice IN	CP007291	CP007292	CP007294	CP007296

**BASE MATERIAL:** Internal part made of reinforced polyamide; external covering made of stainless steel AISI 304; anti-slip pad made of thermoplastic rubber 68 Shore black colour.

**FEATURES:** Co-moulded anti-slip pad allows a perfect adherence with steel base. Consequent absence of internal cavities makes foot extremely cleanable.

**Nuts/Dadi** UNI 5588-65

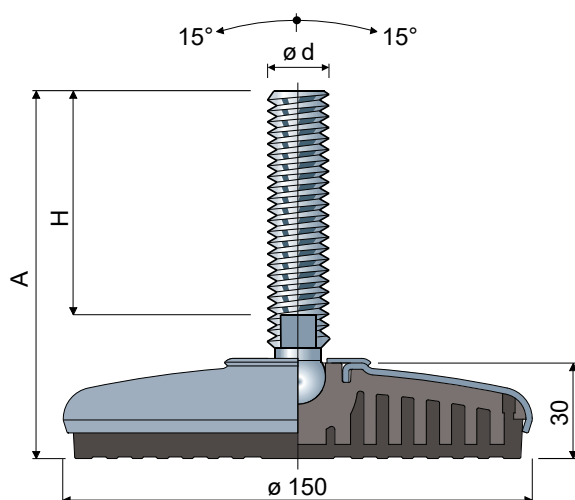
ø d	M16	M20	M24	M30
S mm	13	16	19	24
Ch. mm	24	30	36	46
Code/Codice IN	CP007277	CP007278	CP007280	CP007282

**MATERIALE BASE:** Anima interna in poliammide + FV; rivestimento esterno in acciaio inox AISI 304; antivibrante in gomma termoplastica 68 shore colore nero.

**CARATTERISTICHE:** L'antivibrante costampato consente una perfetta aderenza con la base in acciaio. La conseguente aderenza di cavità interne rende il piede estremamente sanificabile.

**Articulated feet sanitizable (stainless steel base) ø 150 - Part. PO26**

**Piedi sanificabili snodati (base in acciaio inox) ø 150 - Part. PO26**



Spindle measures in mm / Misure stelo in mm

ø d	A	H	Wrench Chiave	Spindle and base in stainless steel AISI 304 Stelo e base in acciaio inox AISI 304		Max static load Carico statico (N)
				Type/Tipo	Code/Codice	
M20x2,5	137	86	17	PO26A	CPB01478	33000
	167	116	17	PO26B	CPB01479	
	192	141	17	PO26C	CPB01480	
	212	161	17	PO26Q	CPA00953	
	249	198	17	PO26D	CPB01481	
M24x3	147	96	19	PO26E	CPB01482	35000
	173	122	19	PO26F	CPB01483	
	203	152	19	PO26G	CPB01484	
	233	182	19	PO26H	CPB01485	
	351	300	19	PO26I	CPB01486	
M30x3,5	195	144	24	PO26L	CPB01487	38000

**Washers/Rosette UNI 6592-69**

ø M	M20	M24	M30
S mm	3	4	4
ø A mm	37	44	56
Code/Codice IN	CP007292	CP007294	CP007296

**BASE MATERIAL:** Internal part made of reinforced polyamide; external covering made of stainless steel AISI 304; anti-slip pad made of thermoplastic rubber 68 Shore black colour.

**FEATURES:** Co-moulded anti-slip pad allows a perfect adherence with steel base. Consequent absence of internal cavities makes foot extremely cleanable.

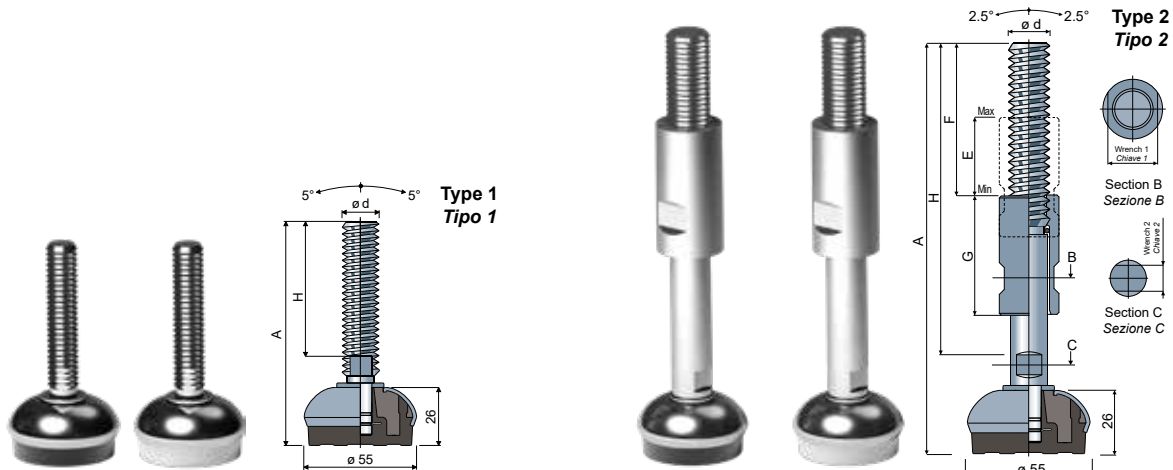
**Nuts/Dadi UNI 5588-65**

ø d	M20	M24	M30
S mm	16	19	24
Ch. mm	30	36	46
Code/Codice IN	CP007278	CP007280	CP007282

**MATERIALE BASE:** Anima interna in poliammide + FV; rivestimento esterno in acciaio inox AISI 304; antivibrante in gomma termoplastica 68 shore colore nero.

**CARATTERISTICHE:** L'antivibrante costampato consente una perfetta aderenza con la base in acciaio. La conseguente aderenza di cavità interne rende il piede estremamente sanificabile.

**Adjustable feet sanitizable (stainless steel base) ø 55 - Part. PO27**  
**Piedi sanificabili orientabili (base in acciaio inox) ø 55 - Part. PO27**



Type 1 / Tipo 1

Type 2  
Tipo 2

Spindle measures in mm / Misure stelo in mm

Spindle and base in stainless steel AISI 304  
Stelo e base in acciaio inox AISI 304

ød	A	H	Wrench Chiave	Black anti-slip pad Antivibrante nero		White anti-slip pad Antivibrante bianco		Max static load Carico statico (N)
				Type/Tipo	Code/Codice	Type/Tipo	Code/Codice	
M12x1,75	110	70	10	PON27A	CPB01358	POB27A	CPC01358	15000
M14x2	148	108	12	PON27B	CPB01359	POB27B	CPC01359	
	102	58	13	PON27C	CPB01360	POB27C	CPC01360	
M16x2	133	89	13	PON27J	CPA00954	POB27J	CPA00955	20000
	163	119	13	PON27D	CPB01361	POB27D	CPC01361	
	189	145	13	PON27E	CPB01362	POB27E	CPC01362	
	245	201	13	PON27F	CPB01363	POB27F	CPC01363	
M18x2,5	201	156	15	PON27G	CPB01364	POB27G	CPC01364	20000
	133	89	17	PON27H	CPB01365	POB27H	CPC01365	
M20x2,5	151	107	17	PON27I	CPB01366	POB27I	CPC01366	
	180	136	17	PON27L	CPB01367	POB27L	CPC01367	
	201	157	17	PON27M	CPB01368	POB27M	CPC01368	
	234	190	17	PON27N	CPB01369	POB27N	CPC01369	
M24x3	282	238	17	PON27O	CPB01370	POB27O	CPC01370	
	139	90	13	PON27P	CPB01371	POB27P	CPC01371	20000
	176	127	13	PON27Q	CPB01372	POB27Q	CPC01372	
M24x3	211	162	13	PON27R	CPB01373	POB27R	CPC01373	
	250	201	13	PON27S	CPB01374	POB27S	CPC01374	
M30x3,5	174	125	13	PON27T	CPB01375	POB27T	CPC01375	20000
	234	185	13	PON27U	CPB01376	POB27U	CPC01376	

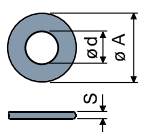
Type 2 / Tipo 2

Spindle measures in mm / Misure stelo in mm

Spindle and base in stainless steel AISI 304  
Stelo e base in acciaio inox AISI 304

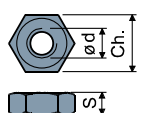
ød	A	H	F	E	G	Wrench 1 Chiave 1	Wrench 2 Chiave 2	Black anti-slip pad Antivibrante nero		White anti-slip pad Antivibrante bianco		Max static load Carico statico (N)
								Type/Tipo	Code/Codice	Type/Tipo	Code/Codice	
M16x2	200	159	73	39	60	22	12	PON27T	CPB01350	POB27T	CPC01350	20000
	260	220	100	78	100	22	12	PON27U	CPB01351	POB27U	CPC01351	
M20x2,5	200	159	73	39	60	25	13	PON27V	CPB01352	POB27V	CPC01352	
	260	220	100	78	100	25	13	PON27Z	CPB01353	POB27Z	CPC01353	
M24x3	200	159	73	39	60	30	17	PON27W	CPB01354	POB27W	CPC01354	
	260	220	100	78	100	30	17	PON27X	CPB01355	POB27X	CPC01355	

**Washers/Rosette UNI 6592-69**



ø M	M12	M14	M16	M20	M24	M30
S mm	2,5	2,5	3	3	4	4
ø A mm	24	28	30	37	44	56
Code/Codice IN	CP007287	CP007288	CP007291	CP007292	CP007294	CP007296

**Nuts/Dadi UNI 5588-65**

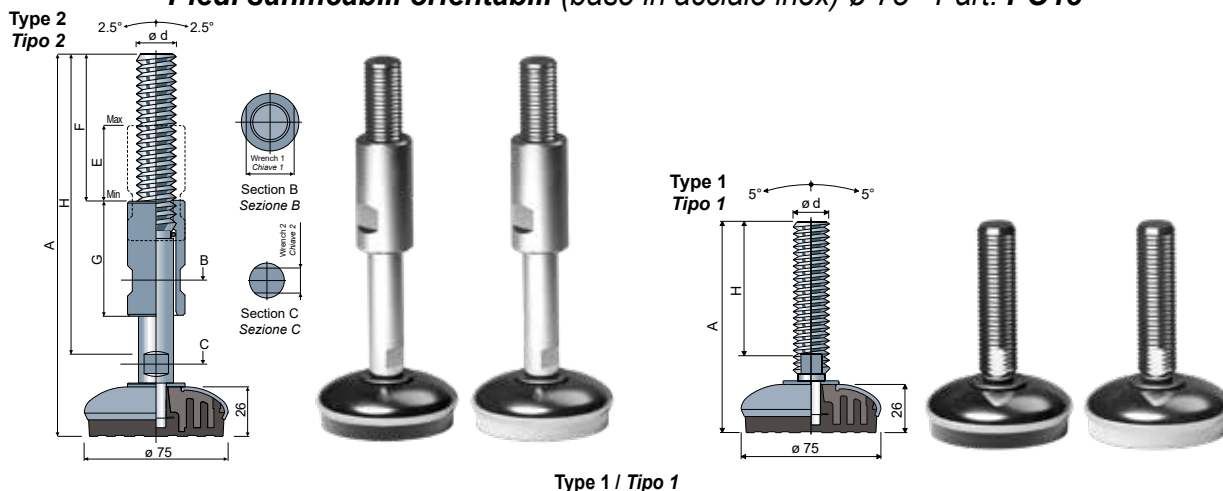


ø d	M12	M14	M16	M20	M24	M30
S mm	10	11	13	16	19	24
Ch. mm	19	22	24	30	36	46
Code/Codice IN	CP007273	CP007274	CP007277	CP007278	CP007280	CP007282

**MATERIAL:** Internal part made of reinforced polyamide; external covering made of stainless steel AISI 304; anti-slip pad made of thermo-plastic rubber 68 Shore black or white colour.

**MATERIALE BASE:** Anima interna in poliamide + FV; rivestimento esterno in acciaio inox AISI 304; antivibrante in gomma termoplastica 68 shore colore nero o bianco.

**Adjustable feet sanitizable (stainless steel base) ø 75 - Part. PO13**  
**Piedi sanificabili orientabili (base in acciaio inox) ø 75 - Part. PO13**



Type 1 / Tipo 1

Spindle measures in mm / Misure stelo in mm

Spindle and base in stainless steel AISI 304  
 Stelo e base in acciaio inox AISI 304

ød	A	H	Wrench Chiave	Black anti-slip pad Antivibrante nero		White anti-slip pad Antivibrante bianco		Max static load Carico statico (N)
				Type/Tipo	Code/Codice	Type/Tipo	Code/Codice	
M12x1,75	109	70	10	PO13A	CP001397	POB13A	CPA01380	17000
M14x2	148	108	12	PO13B	CP001398	POB13B	CPA01381	
M16x2	102	58	13	PO13C	CP001399	POB13C	CPA01382	24000
	133	89	13	PO13K	CPA00956	POB13K	CPA00957	
	163	119	13	PO13D	CP001400	POB13D	CPA01383	
	189	145	13	PO13E	CP001401	POB13E	CPA01384	
M18x2,5	245	201	13	PO13F	CP001402	POB13F	CPA01385	24000
	201	157	15	PO13G	CP001403	POB13G	CPA01386	
M20x2,5	135	89	17	PO13U	CPA01398	POB13U	CPA01399	24000
	153	107	17	PO13H	CP001404	POB13H	CPA01387	
	182	136	17	PO13I	CP001405	POB13I	CPA01388	
	203	157	17	PO13L	CP001406	POB13L	CPA01389	
	236	190	17	PO13M	CP001407	POB13M	CPA01390	
M24x3	284	238	17	PO13N	CP001408	POB13N	CPA01391	24000
	139	90	19	PO13O	CP001409	POB13O	CPA01392	
	176	127	19	PO13P	CP001410	POB13P	CPA01393	
	211	162	19	PO13Q	CP001411	POB13Q	CPA01394	
M30x3,5	250	201	19	PO13R	CP001412	POB13R	CPA01395	24000
	174	125	24	PO13S	CP001413	POB13S	CPA01396	
	234	185	24	PO13T	CP001414	POB13T	CPA01397	

Type 2 / Tipo 2

Spindle measures in mm / Misure stelo in mm

Spindle and base in stainless steel AISI 304  
 Stelo e base in acciaio inox AISI 304

ød	A	H	F	E	G	Wrench 1 Chiave 1	Wrench 2 Chiave 2	Black anti-slip pad Antivibrante nero		White anti-slip pad Antivibrante bianco		Max static load Carico statico (N)
								Type/Tipo	Code/Codice	Type/Tipo	Code/Codice	
M16x2	200	159	73	39	60	22	12	PO13V	CPA01350	POB13V	CPA01356	24000
	260	220	100	78	100	22	12	PO13Z	CPA01351	POB13Z	CPA01357	
M20x2,5	200	159	73	39	60	25	13	PO13W	CPA01352	POB13W	CPA01358	24000
	260	220	100	78	100	25	13	PO13X	CPA01353	POB13X	CPA01359	
M24x3	200	159	73	39	60	30	17	PO13Y	CPA01354	POB13Y	CPA01360	24000
	260	220	100	78	100	30	17	PO13J	CPA01355	POB13J	CPA01361	

**Washers/Rosette UNI 6592-69**

ød	M	M12	M14	M16	M20	M24	M30
S mm	2,5	2,5	3	3	4	4	
ø A mm	24	28	30	37	44	56	
Code/Codice IN	CP007287	CP007288	CP007291	CP007292	CP007294	CP007296	

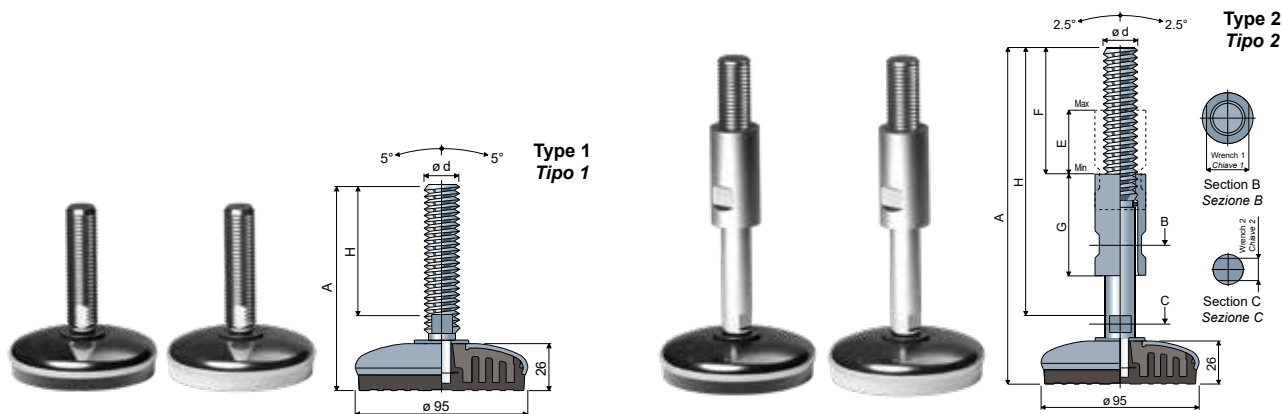
**Nuts/Dadi UNI 5588-65**

ød	M	M12	M14	M16	M20	M24	M30
S mm	10	11	13	16	19	24	
Ch. mm	19	22	24	30	36	46	
Code/Codice IN	CP007273	CP007274	CP007277	CP007278	CP007280	CP007282	

**MATERIAL:** Internal part made of reinforced polyamide; external covering made of stainless steel AISI 304; anti-slip pad made of thermoplastic rubber 68 Shore black or white colour.

**MATERIALE BASE:** Anima interna in poliammide + FV; rivestimento esterno in acciaio inox AISI 304; antivibrante in gomma termoplastica 68 shore colore nero o bianco.

**Adjustable feet sanitizable (stainless steel base) ø 95 - Part. PO15**  
**Piedi sanificabili orientabili (base in acciaio inox) ø 95 - Part. PO15**



**Type 1 / Tipo 1**

Spindle measures in mm / Misure stelo in mm

Spindle and base in stainless steel AISI 304  
 Stelo e base in acciaio inox AISI 304

ød	A	H	Wrench Chiave	Black anti-slip pad Antivibrante nero		White anti-slip pad Antivibrante bianco		Max static load Carico statico (N)	
				Type/Tipo	Code/Codice	Type/Tipo	Code/Codice		
M12x1,75	109	70	10	PO15A	CP001433	POB15A	CPA01433	17000	
M14x2	148	108	12	PO15B	CP001434	POB15B	CPA01434		
	102	58	13	PO15C	CP001435	POB15C	CPA01435		
M16x2	133	89	13	PO15K	CPA00958	POB15K	CPA00959		
	163	119	13	PO15D	CP001436	POB15D	CPA01436		
	189	145	13	PO15E	CP001437	POB15E	CPA01437		
M18x2,5	245	201	13	PO15F	CP001438	POB15F	CPA01438		
	201	157	15	PO15G	CP001439	POB15G	CPA01439		
M20x2,5	135	89	17	PO15U	CPB01433	POB15U	CPB01434		27000
	153	107	17	PO15H	CP001440	POB15H	CPA01440		
	182	136	17	PO15I	CP001441	POB15I	CPA01441		
	203	157	17	PO15L	CP001442	POB15L	CPA01442		
	236	190	17	PO15M	CP001443	POB15M	CPA01443		
M24x3	284	238	17	PO15N	CP001444	POB15N	CPA01444		
	139	90	19	PO15O	CP001445	POB15O	CPA01445		
	176	127	19	PO15P	CP001446	POB15P	CPA01446		
	211	162	19	PO15Q	CP001447	POB15Q	CPA01447		
M30x3,5	250	201	19	PO15R	CP001448	POB15R	CPA01448		
	174	125	24	PO15S	CP001449	POB15S	CPA01449		
	234	185	24	PO15T	CP001450	POB15T	CPA01450		

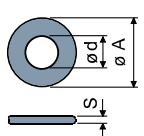
**Type 2 / Tipo 2**

Spindle measures in mm / Misure stelo in mm

Spindle and base in stainless steel AISI 304  
 Stelo e base in acciaio inox AISI 304

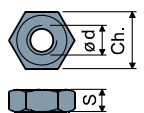
ød	A	H	F	E	G	Wrench 1 Chiave 1	Wrench 2 Chiave 2	Black anti-slip pad Antivibrante nero		White anti-slip pad Antivibrante bianco		Max static load Carico statico (N)
								Type/Tipo	Code/Codice	Type/Tipo	Code/Codice	
M16x2	200	159	73	39	60	22	12	PO15V	CPB01435	POB15V	CPB01441	27000
	260	220	100	78	100	22	12	PO15Z	CPB01436	POB15Z	CPB01442	
M20x2,5	200	159	73	39	60	25	13	PO15W	CPB01437	POB15W	CPB01443	
	260	220	100	78	100	25	13	PO15X	CPB01438	POB15X	CPB01444	
M24x3	200	159	73	39	60	30	17	PO15Y	CPB01439	POB15Y	CPB01445	
	260	220	100	78	100	30	17	PO15J	CPB01440	POB15J	CPB01446	

**Washers/Rosette UNI 6592-69**



ø M	M12	M14	M16	M20	M24	M30
S mm	2,5	2,5	3	3	4	4
ø A mm	24	28	30	37	44	56
Code/Codice IN	CP007287	CP007288	CP007291	CP007292	CP007294	CP007296

**Nuts/Dadi UNI 5588-65**



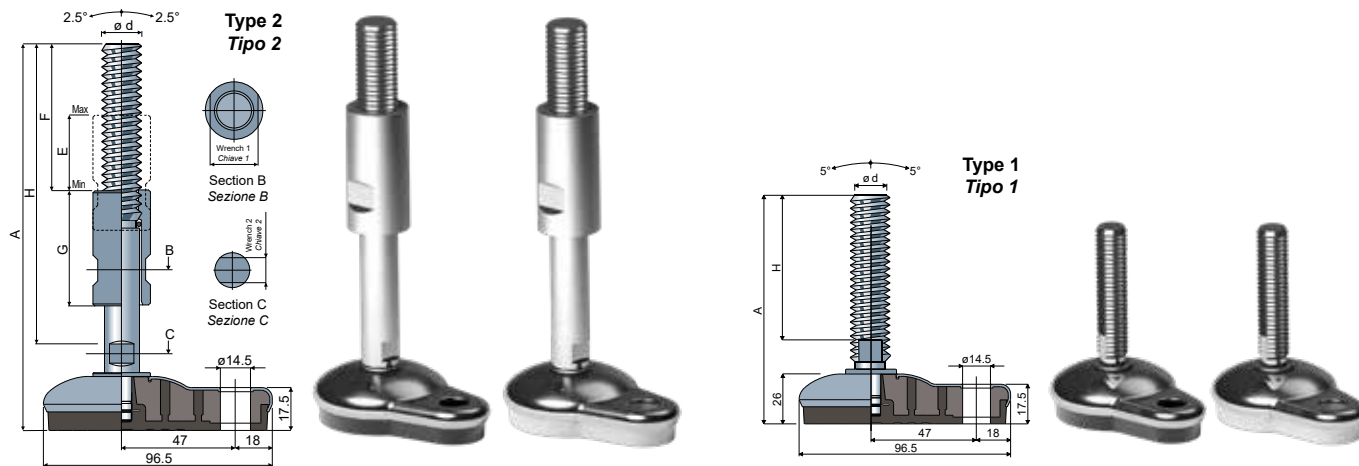
ø d	M12	M14	M16	M20	M24	M30
S mm	10	11	13	16	19	24
Ch. mm	19	22	24	30	36	46
Code/Codice IN	CP007273	CP007274	CP007277	CP007278	CP007280	CP007282

**UK MATERIAL:** Internal part made of reinforced polyamide; external covering made of stainless steel AISI 304; anti-slip pad made of thermo-plastic rubber 68 Shore black or white colour.

**IT MATERIALE BASE:** Anima interna in poliamide + FV; rivestimento esterno in acciaio inox AISI 304; antivibrante in gomma termoplastica 68 shore colore nero o bianco.



**Articulated feet sanitizable with side fixing system (stainless steel base) 65x96 - Part. PO28**  
**Piedi sanificabili orientabili con fissaggio laterale (base in acciaio inox) 65x96 - Part. PO28**



**Type 1 / Tipo 1**

Spindle measures in mm / Misure stelo in mm

Spindle and base in stainless steel AISI 304  
 Stelo e base in acciaio inox AISI 304

	A	H	Wrench Chiave	Black anti-slip pad Antivibrante nero		White anti-slip pad Antivibrante bianco		Max static load Carico statico (N)
				Type/Tipo	Code/Codice	Type/Tipo	Code/Codice	
M12x1,75	110	70	10	PON28A	CPB01233	POB28A	CPC01233	17000
M14x2	148	108	12	PON28B	CPB01234	POB28B	CPC01234	
M16x2	102	58	13	PON28C	CPB01235	POB28C	CPC01235	22000
	133	89	13	PON28V	CPA00960	POB28V	CPA00961	
	163	119	13	PON28D	CPB01236	POB28D	CPC01236	
	189	145	13	PON28E	CPB01237	POB28E	CPC01237	
M18x2,5	245	201	13	PON28F	CPB01238	POB28F	CPC01238	22000
	201	157	15	PON28G	CPB01239	POB28G	CPC01239	
	133	89	17	PON28H	CPB01240	POB28H	CPC01240	
M20x2,5	151	107	17	PON28I	CPB01241	POB28I	CPC01241	22000
	180	136	17	PON28L	CPB01242	POB28L	CPC01242	
	201	157	17	PON28M	CPB01243	POB28M	CPC01243	
	234	190	17	PON28N	CPB01244	POB28N	CPC01244	
	282	238	17	PON28O	CPB01245	POB28O	CPC01245	

**Type 2 / Tipo 2**

Spindle measures in mm / Misure stelo in mm

Spindle and base in stainless steel AISI 304  
 Stelo e base in acciaio inox AISI 304

ød	A	H	F	E	G	Wrench 1 Chiave 1	Wrench 2 Chiave 2	Black anti-slip pad Antivibrante nero		White anti-slip pad Antivibrante bianco		Max static load Carico statico (N)
								Type/Tipo	Code/Codice	Type/Tipo	Code/Codice	
M16x2	200	159	73	39	60	22	12	PON28P	CPB01246	POB28P	CPC01246	22000
	260	220	100	78	100	22	12	PON28Q	CPB01247	POB28Q	CPC01247	
M20x2,5	200	159	73	39	60	25	13	PON28R	CPB01248	POB28R	CPC01248	22000
	260	220	100	78	100	25	13	PON28S	CPB01249	POB28S	CPC01249	
M24x3	200	159	73	39	60	30	17	PON28T	CPB01250	POB28T	CPC01250	22000
	260	220	100	78	100	30	17	PON28U	CPB01251	POB28U	CPC01251	

**Washers/Rosette UNI 6592-69**

ø M	M12	M14	M16	M20	M24	M30
S mm	2,5	2,5	3	3	4	4
ø A mm	24	28	30	37	44	56
Code/Codice IN	CP007287	CP007288	CP007291	CP007292	CP007294	CP007296

**Nuts/Dadi UNI 5588-65**

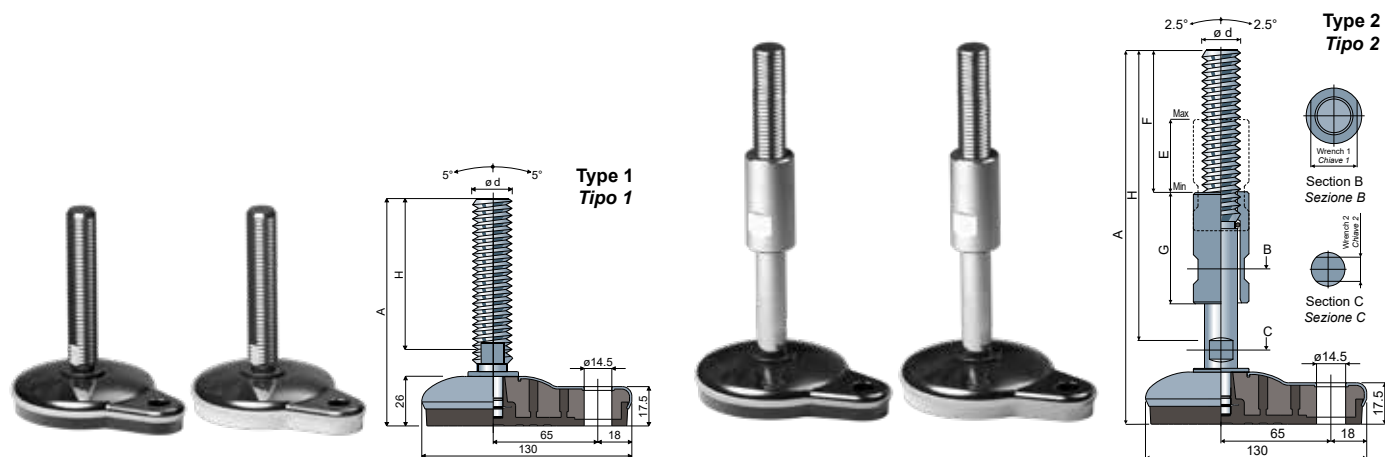
ø d	M12	M14	M16	M20	M24	M30
S mm	10	11	13	16	19	24
Ch. mm	19	22	24	30	36	46
Code/Codice IN	CP007273	CP007274	CP007277	CP007278	CP007280	CP007282

**UK MATERIAL:** Internal part made of reinforced polyamide; external covering made of stainless steel AISI 304; anti-slip pad made of thermoplastic rubber 68 Shore black or white colour.

**IT MATERIALE BASE:** Anima interna in poliammide + FV; rivestimento esterno in acciaio inox AISI 304; antivibrante in gomma termoplastica 68 shore colore nero o bianco.



**Articulated feet sanitizable with side fixing system (stainless steel base) 95x130 - Part. PO29**  
**Piedi sanificabili orientabili con fissaggio laterale (base in acciaio inox) 95x130 - Part. PO29**



**Type 1 / Tipo 1**

Spindle measures in mm / Misure stelo in mm

Spindle and base in stainless steel AISI 304  
 Stelo e base in acciaio inox AISI 304

ød	A	H	Wrench Chiave	Black anti-slip pad Antivibrante nero		White anti-slip pad Antivibrante bianco		Max static load Carico statico (N)	
				Type/Tipo	Code/Codice	Type/Tipo	Code/Codice		
M12x1,75	111	70	10	PON29A	CPB01252	POB29A	CPC01252	17000	
M14x2	150	108	12	PON29B	CPB01253	POB29B	CPC01253		
M16x2	103	58	13	PON29C	CPB01254	POB29C	CPC01254		
	134	89	13	PON29K	CPA00962	POB29K	CPA00963		
	164	119	13	PON29D	CPB01255	POB29D	CPC01255		
	190	145	13	PON29E	CPB01256	POB29E	CPC01256		
M18x2,5	246	201	13	PON29F	CPB01257	POB29F	CPC01257		
	203	157	15	PON29G	CPB01258	POB29G	CPC01258		
	136	89	17	PON29H	CPB01259	POB29H	CPC01259		
M20x2,5	154	107	17	PON29I	CPB01260	POB29I	CPC01260		27000
	183	136	17	PON29L	CPB01261	POB29L	CPC01261		
	204	157	17	PON29M	CPB01262	POB29M	CPC01262		
	237	190	17	PON29N	CPB01263	POB29N	CPC01263		
	285	238	17	PON29O	CPB01264	POB29O	CPC01264		
M24x3	141	90	19	PON29P	CPB01265	POB29P	CPC01265		
	178	127	19	PON29Q	CPB01266	POB29Q	CPC01266		
	213	162	19	PON29R	CPB01267	POB29R	CPC01267		
	252	201	19	PON29S	CPB01268	POB29S	CPC01268		
M30x3,5	176	125	24	PON29T	CPB01269	POB29T	CPC01269		
	236	185	24	PON29U	CPB01270	POB29U	CPC01270		

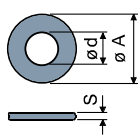
**Type 2 / Tipo 2**

Spindle measures in mm / Misure stelo in mm

Spindle and base in stainless steel AISI 304  
 Stelo e base in acciaio inox AISI 304

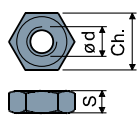
ød	A	H	F	E	G	Wrench 1 Chiave 1	Wrench 2 Chiave 2	Black anti-slip pad Antivibrante nero		White anti-slip pad Antivibrante bianco		Max static load Carico statico (N)
								Type/Tipo	Code/Codice	Type/Tipo	Code/Codice	
M16x2	200	159	73	39	60	22	12	PON29V	CPB01271	POB29V	CPC01271	27000
	260	220	100	78	100	22	12	PON29Z	CPB01272	POB29Z	CPC01272	
M20x2,5	200	159	73	39	60	25	13	PON29W	CPB01273	POB29W	CPC01273	
	260	220	100	78	100	25	13	PON29X	CPB01274	POB29X	CPC01274	
M24x3	200	159	73	39	60	30	17	PON29Y	CPB01277	POB29Y	CPC01277	
	260	220	100	78	100	30	17	PON29J	CPB01278	POB29J	CPC01278	

**Washers/Rosette UNI 6592-69**



ø M	M12	M14	M16	M20	M24	M30
S mm	2,5	2,5	3	3	4	4
ø A mm	24	28	30	37	44	56
Code/Codice IN	CP007287	CP007288	CP007291	CP007292	CP007294	CP007296

**Nuts/Dadi UNI 5588-65**

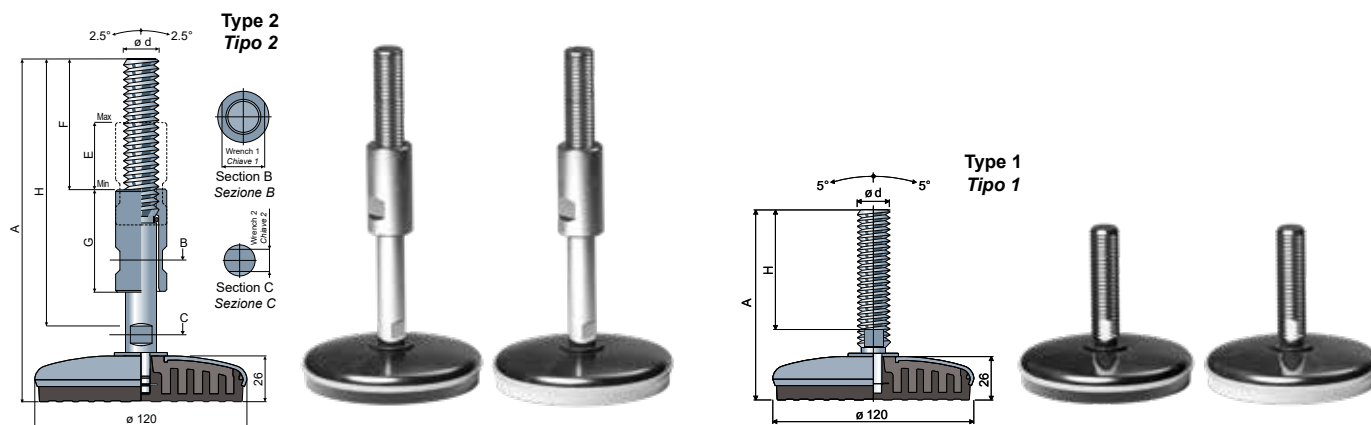


ø d	M12	M14	M16	M20	M24	M30
S mm	10	11	13	16	19	24
Ch. mm	19	22	24	30	36	46
Code/Codice IN	CP007273	CP007274	CP007277	CP007278	CP007280	CP007282

**UK MATERIAL:** Internal part made of reinforced polyamide; external covering made of stainless steel AISI 304; anti-slip pad made of thermoplastic rubber 68 Shore black or white colour.

**IT MATERIALE BASE:** Anima interna in poliammide + FV; rivestimento esterno in acciaio inox AISI 304; antivibrante in gomma termoplastica 68 shore colore nero o bianco.

**Adjustable feet sanitizable (stainless steel base)  $\varnothing$  120 - Part. PO17**  
**Piedi sanificabili orientabili (base in acciaio inox)  $\varnothing$  120 - Part. PO17**



**Type 1 / Tipo 1**

**Spindle measures in mm / Misure stelo in mm**

**Spindle and base in stainless steel AISI 304**  
**Stelo e base in acciaio inox AISI 304**

$\varnothing d$	A	H	Wrench Chiave	Black anti-slip pad Antivibrante nero		White anti-slip pad Antivibrante bianco		Max static load Carico statico (N)	
				Type/Tipo	Code/Codice	Type/Tipo	Code/Codice		
M12x1,75	109	70	10	PO17A	CP001469	POB17A	CPC01469	17000	
M14x2	148	108	12	PO17B	CP001470	POB17B	CPC01470		
M16x2	102	58	13	PO17C	CP001471	POB17C	CPC01471		
	133	89	13	PO17K	CPA00964	POB17K	CPA00965		
	163	119	13	PO17D	CP001472	POB17D	CPC01472		
	189	145	13	PO17E	CP001473	POB17E	CPC01473		
M18x2,5	245	201	13	PO17F	CP001474	POB17F	CPC01474		
	201	157	15	PO17G	CP001475	POB17G	CPC01475		
	135	89	17	PO17U	CPA01483	POB17U	CPA01484		
	153	107	17	PO17H	CP001476	POB17H	CPC01476		
M20x2,5	182	136	17	PO17I	CP001477	POB17I	CPC01477		30000
	203	157	17	PO17L	CP001478	POB17L	CPC01478		
	236	190	17	PO17M	CP001479	POB17M	CPC01479		
	284	238	17	PO17N	CP001480	POB17N	CPC01480		
M24x3	139	90	19	PO17O	CP001481	POB17O	CPC01481		
	176	127	19	PO17P	CP001482	POB17P	CPC01482		
	211	162	19	PO17Q	CP001483	POB17Q	CPC01483		
	250	201	19	PO17R	CP001484	POB17R	CPC01484		
M30x3,5	174	125	24	PO17S	CP001485	POB17S	CPC01485		
	234	185	24	PO17T	CP001486	POB17T	CPC01486		

**Type 2 / Tipo 2**

**Spindle measures in mm / Misure stelo in mm**

**Spindle and base in stainless steel AISI 304**  
**Stelo e base in acciaio inox AISI 304**

$\varnothing d$	A	H	F	E	G	Wrench 1 Chiave 1	Wrench 2 Chiave 2	Black anti-slip pad Antivibrante nero		White anti-slip pad Antivibrante bianco		Max static load Carico statico (N)
								Type/Tipo	Code/Codice	Type/Tipo	Code/Codice	
M16x2	200	159	73	39	60	22	12	PO17V	CPC01487	POB17V	CPC01493	30000
	260	220	100	78	100	22	12	PO17Z	CPC01488	POB17Z	CPC01494	
M20x2,5	200	159	73	39	60	25	13	PO17W	CPC01489	POB17W	CPC01495	
	260	220	100	78	100	25	13	PO17X	CPC01490	POB17X	CPC01496	
M24x3	200	159	73	39	60	30	17	PO17Y	CPC01491	POB17Y	CPC01497	
	260	220	100	78	100	30	17	PO17J	CPC01492	POB17J	CPC01498	

**Washers/Rosette UNI 6592-69**

$\varnothing M$	M12	M14	M16	M20	M24	M30
S mm	2,5	2,5	3	3	4	4
$\varnothing A$ mm	24	28	30	37	44	56
Code/Codice IN	CP007287	CP007288	CP007291	CP007292	CP007294	CP007296

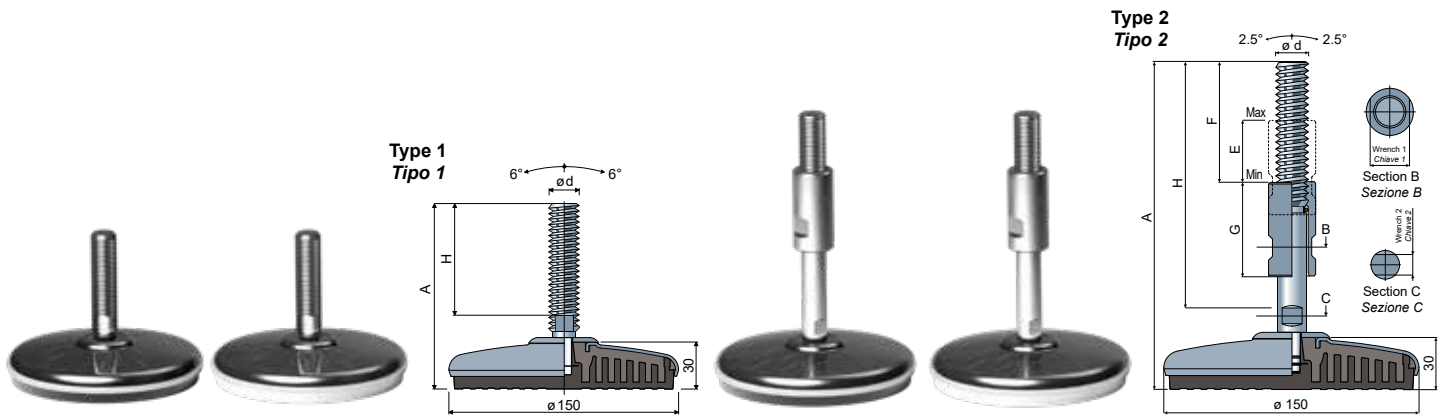
**Nuts/Dadi UNI 5588-65**

$\varnothing d$	M12	M14	M16	M20	M24	M30
S mm	10	11	13	16	19	24
Ch. mm	19	22	24	30	36	46
Code/Codice IN	CP007273	CP007274	CP007277	CP007278	CP007280	CP007282

**MATERIAL:** Internal part made of reinforced polyamide; external covering made of stainless steel AISI 304; anti-slip pad made of thermoplastic rubber 68 Shore black or white colour.

**MATERIALE BASE:** Anima interna in poliammide + FV; rivestimento esterno in acciaio inox AISI 304; antivibrante in gomma termoplastica 68 shore colore nero o bianco.

**Adjustable feet sanitizable (stainless steel base) ø 150 - Part. PO30**  
**Piedi sanificabili orientabili (base in acciaio inox) ø 150 - Part. PO30**



**Type 1 / Tipo 1**

Spindle measures in mm / Misure stelo in mm

Spindle and base in stainless steel AISI 304  
 Stelo e base in acciaio inox AISI 304

ød	A	H	Wrench Chiave	Black anti-slip pad Antivibrante nero		White anti-slip pad Antivibrante bianco		Max static load Carico statico (N)
				Type/Tipo	Code/Codice	Type/Tipo	Code/Codice	
M20x2,5	139	89	17	PON30A	CPB01279	POB30A	CPC01279	40000
	157	107	17	PON30B	CPB01280	POB30B	CPC01280	
	186	136	17	PON30C	CPB01281	POB30C	CPC01281	
	207	157	17	PON30D	CPB01282	POB30D	CPC01282	
	240	190	17	PON30E	CPB01283	POB30E	CPC01283	
	288	238	17	PON30F	CPB01284	POB30F	CPC01284	
M24x3	145	90	19	PON30G	CPB01285	POB30G	CPC01285	40000
	182	127	19	PON30H	CPB01286	POB30H	CPC01286	
	217	162	19	PON30I	CPB01287	POB30I	CPC01287	
	257	202	19	PON30L	CPB01288	POB30L	CPC01288	
M30x3,5	172	125	24	PON30M	CPB01289	POB30M	CPC01289	40000
	232	185	24	PON30N	CPB01290	POB30N	CPC01290	

**Type 2 / Tipo 2**

Spindle measures in mm / Misure stelo in mm

Spindle and base in stainless steel AISI 304  
 Stelo e base in acciaio inox AISI 304

ød	A	H	F	E	G	Wrench 1 Chiave 1	Wrench 2 Chiave 2	Black anti-slip pad Antivibrante nero		White anti-slip pad Antivibrante bianco		Max static load Carico statico (N)
								Type/Tipo	Code/Codice	Type/Tipo	Code/Codice	
M16x2	204	159	73	39	60	22	12	PON30O	CPB01291	POB30O	CPC01291	40000
	264	220	100	78	100	22	12	PON30P	CPB01292	POB30P	CPC01292	
M20x2,5	204	159	73	39	60	25	13	PON30Q	CPB01293	POB30Q	CPC01293	
	264	220	100	78	100	25	13	PON30R	CPB01294	POB30R	CPC01294	
M24x3	204	159	73	39	60	30	17	PON30S	CPB01295	POB30S	CPC01295	
	264	220	100	78	100	30	17	PON30T	CPB01296	POB30T	CPC01296	

**Washers/Rosette UNI 6592-69**

ø M	M20	M24	M30
S mm	3	4	4
ø A mm	37	44	56
Code/Codice IN	CP007292	CP007294	CP007296

**UK MATERIAL:** Internal part made of reinforced polyamide; external covering made of stainless steel AISI 304; anti-slip pad made of thermoplastic rubber 68 Shore black or white colour.

**Nuts/Dadi UNI 5588-65**

ø d	M20	M24	M30
S mm	16	19	24
Ch. mm	30	36	46
Code/Codice IN	CP007278	CP007280	CP007282

**IT MATERIALE BASE:** Anima interna in poliammide + FV; rivestimento esterno in acciaio inox AISI 304; antivibrante in gomma termoplastica 68 shore colore nero o bianco.