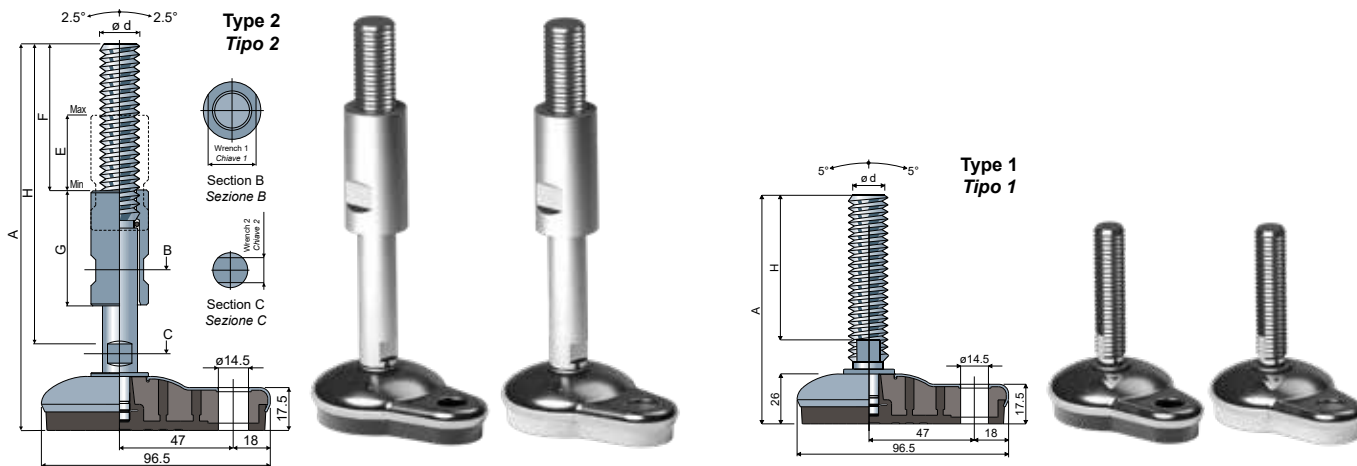


Articulated feet sanitizable with side fixing system (stainless steel base) 65x96 - Part. PO28
Piedi sanificabili orientabili con fissaggio laterale (base in acciaio inox) 65x96 - Part. PO28



Type 1 / Tipo 1

Spindle measures in mm / Misure stelo in mm

Spindle and base in stainless steel AISI 304
 Stelo e base in acciaio inox AISI 304

	A	H	Wrench Chiave	Black anti-slip pad Antivibrante nero		White anti-slip pad Antivibrante bianco		Max static load Carico statico (N)
				Type/Tipo	Code/Codice	Type/Tipo	Code/Codice	
M12x1,75	110	70	10	PON28A	CPB01233	POB28A	CPC01233	17000
M14x2	148	108	12	PON28B	CPB01234	POB28B	CPC01234	
M16x2	102	58	13	PON28C	CPB01235	POB28C	CPC01235	22000
	133	89	13	PON28V	CPA00960	POB28V	CPA00961	
	163	119	13	PON28D	CPB01236	POB28D	CPC01236	
	189	145	13	PON28E	CPB01237	POB28E	CPC01237	
M18x2,5	245	201	13	PON28F	CPB01238	POB28F	CPC01238	22000
	201	157	15	PON28G	CPB01239	POB28G	CPC01239	
	133	89	17	PON28H	CPB01240	POB28H	CPC01240	
M20x2,5	151	107	17	PON28I	CPB01241	POB28I	CPC01241	22000
	180	136	17	PON28L	CPB01242	POB28L	CPC01242	
	201	157	17	PON28M	CPB01243	POB28M	CPC01243	
	234	190	17	PON28N	CPB01244	POB28N	CPC01244	
	282	238	17	PON28O	CPB01245	POB28O	CPC01245	

Type 2 / Tipo 2

Spindle measures in mm / Misure stelo in mm

Spindle and base in stainless steel AISI 304
 Stelo e base in acciaio inox AISI 304

ød	A	H	F	E	G	Wrench 1 Chiave 1	Wrench 2 Chiave 2	Black anti-slip pad Antivibrante nero		White anti-slip pad Antivibrante bianco		Max static load Carico statico (N)
								Type/Tipo	Code/Codice	Type/Tipo	Code/Codice	
M16x2	200	159	73	39	60	22	12	PON28P	CPB01246	POB28P	CPC01246	22000
	260	220	100	78	100	22	12	PON28Q	CPB01247	POB28Q	CPC01247	
M20x2,5	200	159	73	39	60	25	13	PON28R	CPB01248	POB28R	CPC01248	
	260	220	100	78	100	25	13	PON28S	CPB01249	POB28S	CPC01249	
M24x3	200	159	73	39	60	30	17	PON28T	CPB01250	POB28T	CPC01250	
	260	220	100	78	100	30	17	PON28U	CPB01251	POB28U	CPC01251	

Washers/Rosette UNI 6592-69

ø M	M12	M14	M16	M20	M24	M30
S mm	2,5	2,5	3	3	4	4
ø A mm	24	28	30	37	44	56
Code/Codice IN	CP007287	CP007288	CP007291	CP007292	CP007294	CP007296

UK MATERIAL: Internal part made of reinforced polyamide; external covering made of stainless steel AISI 304; anti-slip pad made of thermoplastic rubber 68 Shore black or white colour.

Nuts/Dadi UNI 5588-65

ø d	M12	M14	M16	M20	M24	M30
S mm	10	11	13	16	19	24
Ch. mm	19	22	24	30	36	46
Code/Codice IN	CP007273	CP007274	CP007277	CP007278	CP007280	CP007282

IT MATERIALE BASE: Anima interna in poliamide + FV; rivestimento esterno in acciaio inox AISI 304; antivibrante in gomma termoplastica 68 shore colore nero o bianco.