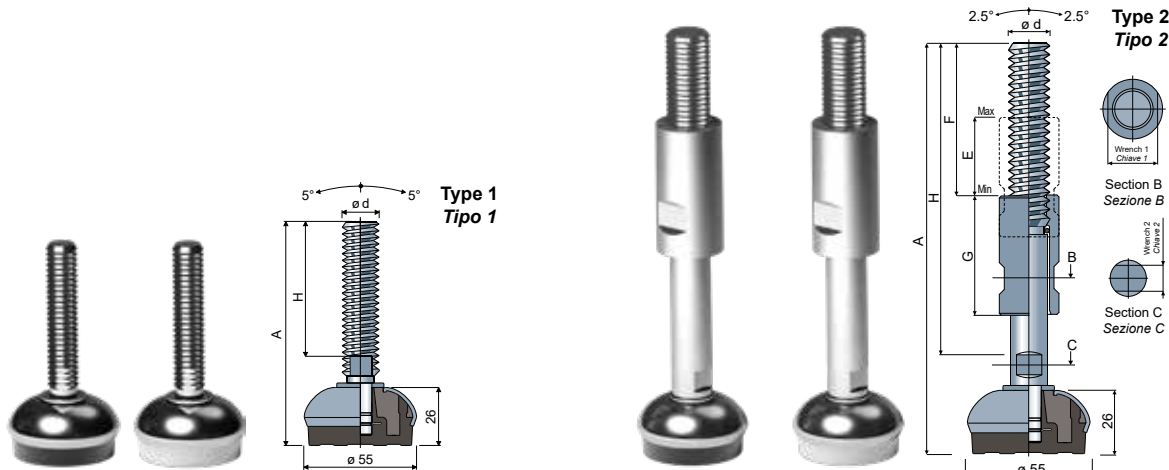


Adjustable feet sanitizable (stainless steel base) ø 55 - Part. PO27
Piedi sanificabili orientabili (base in acciaio inox) ø 55 - Part. PO27



Type 1 / Tipo 1

Type 2
Tipo 2

Spindle measures in mm / Misure stelo in mm

Spindle and base in stainless steel AISI 304
Stelo e base in acciaio inox AISI 304

ød	A	H	Wrench Chiave	Black anti-slip pad Antivibrante nero		White anti-slip pad Antivibrante bianco		Max static load Carico statico (N)
				Type/Tipo	Code/Codice	Type/Tipo	Code/Codice	
M12x1,75	110	70	10	PON27A	CPB01358	POB27A	CPC01358	15000
M14x2	148	108	12	PON27B	CPB01359	POB27B	CPC01359	
	102	58	13	PON27C	CPB01360	POB27C	CPC01360	
M16x2	133	89	13	PON27J	CPA00954	POB27J	CPA00955	20000
	163	119	13	PON27D	CPB01361	POB27D	CPC01361	
	189	145	13	PON27E	CPB01362	POB27E	CPC01362	
	245	201	13	PON27F	CPB01363	POB27F	CPC01363	
M18x2,5	201	156	15	PON27G	CPB01364	POB27G	CPC01364	
	133	89	17	PON27H	CPB01365	POB27H	CPC01365	
	151	107	17	PON27I	CPB01366	POB27I	CPC01366	
M20x2,5	180	136	17	PON27L	CPB01367	POB27L	CPC01367	
	201	157	17	PON27M	CPB01368	POB27M	CPC01368	
	234	190	17	PON27N	CPB01369	POB27N	CPC01369	
	282	238	17	PON27O	CPB01370	POB27O	CPC01370	
M24x3	139	90	13	PON27P	CPB01371	POB27P	CPC01371	
	176	127	13	PON27Q	CPB01372	POB27Q	CPC01372	
	211	162	13	PON27R	CPB01373	POB27R	CPC01373	
M30x3,5	250	201	13	PON27S	CPB01374	POB27S	CPC01374	
	174	125	13	PON27T	CPB01375	POB27T	CPC01375	
	234	185	13	PON27U	CPB01376	POB27U	CPC01376	

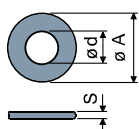
Type 2 / Tipo 2

Spindle measures in mm / Misure stelo in mm

Spindle and base in stainless steel AISI 304
Stelo e base in acciaio inox AISI 304

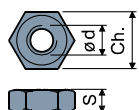
ød	A	H	F	E	G	Wrench 1 Chiave 1	Wrench 2 Chiave 2	Black anti-slip pad Antivibrante nero		White anti-slip pad Antivibrante bianco		Max static load Carico statico (N)
								Type/Tipo	Code/Codice	Type/Tipo	Code/Codice	
M16x2	200	159	73	39	60	22	12	PON27T	CPB01350	POB27T	CPC01350	20000
	260	220	100	78	100	22	12	PON27U	CPB01351	POB27U	CPC01351	
M20x2,5	200	159	73	39	60	25	13	PON27V	CPB01352	POB27V	CPC01352	
	260	220	100	78	100	25	13	PON27Z	CPB01353	POB27Z	CPC01353	
M24x3	200	159	73	39	60	30	17	PON27W	CPB01354	POB27W	CPC01354	
	260	220	100	78	100	30	17	PON27X	CPB01355	POB27X	CPC01355	

Washers/Rosette UNI 6592-69



ø M	M12	M14	M16	M20	M24	M30
S mm	2,5	2,5	3	3	4	4
ø A mm	24	28	30	37	44	56
Code/Codice IN	CP007287	CP007288	CP007291	CP007292	CP007294	CP007296

Nuts/Dadi UNI 5588-65



ø d	M12	M14	M16	M20	M24	M30
S mm	10	11	13	16	19	24
Ch. mm	19	22	24	30	36	46
Code/Codice IN	CP007273	CP007274	CP007277	CP007278	CP007280	CP007282

MATERIAL: Internal part made of reinforced polyamide; external covering made of stainless steel AISI 304; anti-slip pad made of thermo-plastic rubber 68 Shore black or white colour.

MATERIALE BASE: Anima interna in poliammide + FV; rivestimento esterno in acciaio inox AISI 304; antivibrante in gomma termoplastica 68 shore colore nero o bianco.