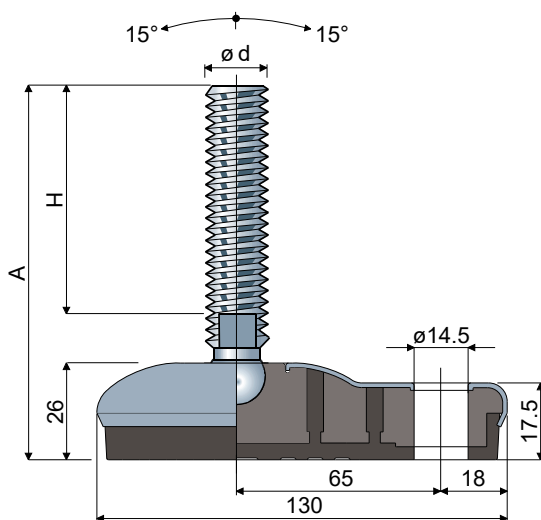


Articulated feet sanitizable with side fixing system (stainless steel base) 95x130 - Part. PO21
Piedi sanificabili snodati con fissaggio laterale (base in acciaio inox) 95x130 - Part. PO21



Spindle measures in mm / Misure stelo in mm

ød	A	H	Wrench Chiave	Spindle and base in stainless steel AISI 304 Stelo e base in acciaio inox AISI 304		Max static load Carico statico (N)
				Type/Tipo	Code/Codice	
M16x2	103	60	13	PO21A	CPB01451	22000
	133	90	13	PO21B	CPB01452	
	148	105	13	PO21C	CPB01453	
	168	125	13	PO21D	CPB01454	
	198	155	13	PO21E	CPB01455	
	208	165	13	PO21F	CPB01456	
M20x2,5	248	205	13	PO21G	CPB01457	24000
	134	86	17	PO21H	CPB01458	
	164	116	17	PO21I	CPB01459	
	189	141	17	PO21L	CPB01460	
	209	161	17	PO21J	CPA00951	
M24x3	246	198	17	PO21M	CPB01461	26000
	143	96	19	PO21N	CPB01462	
	169	122	19	PO21O	CPB01463	
	199	152	19	PO21P	CPB01464	
M30x3,5	229	182	19	PO21Q	CPB01465	28000
	347	300	19	PO21R	CPB01466	
	188	144	24	PO21S	CPB01467	

Spindle measures in mm / Misure stelo in mm

ød	A	H	Wrench Chiave	Spindle and base in stainless steel AISI 304 Stelo e base in acciaio inox AISI 304		Max static load Carico statico (N)
				Type/Tipo	Code/Codice	
M24x2	185	138	19	PO21T	CPB01468	26000
	200	153	19	PO21U	CPB01469	
	258	211	19	PO21V	CPB01470	
	303	256	19	PO21Z	CPB01471	

Spindle measures in inches / Misure stelo in pollici

ød	A	H	Wrench Chiave	Spindle and base in stainless steel AISI 304 Stelo e base in acciaio inox AISI 304		Max static load Carico statico (N)
				Type/Tipo	Code/Codice	
5/8"-11 UNC	8,76"	7"	1/2"	PO21X	CPB01472	22000
3/4"-10 UNC	8,84"	7"	5/8"	PO21Y	CPB01473	24000

Washers/Rosette UNI 6592-69

ø M	M16	M20	M24	M30
S mm	3	3	4	4
ø A mm	30	37	44	56
Code/Codice IN	CP007291	CP007292	CP007294	CP007296

BASE MATERIAL: Internal part made of reinforced polyamide; external covering made of stainless steel AISI 304; anti-slip pad made of thermoplastic rubber 68 Shore black colour.

FEATURES: Co-moulded anti-slip pad allows a perfect adherence with steel base. Consequent absence of internal cavities makes foot extremely cleanable.

Nuts/Dadi UNI 5588-65

ø d	M16	M20	M24	M30
S mm	13	16	19	24
Ch. mm	24	30	36	46
Code/Codice IN	CP007277	CP007278	CP007280	CP007282

MATERIALE BASE: Anima interna in poliammide + FV; rivestimento esterno in acciaio inox AISI 304; antivibrante in gomma termoplastica 68 shore colore nero.

CARATTERISTICHE: L'antivibrante costampato consente una perfetta aderenza con la base in acciaio. La conseguente aderenza di cavità interne rende il piede estremamente sanificabile.