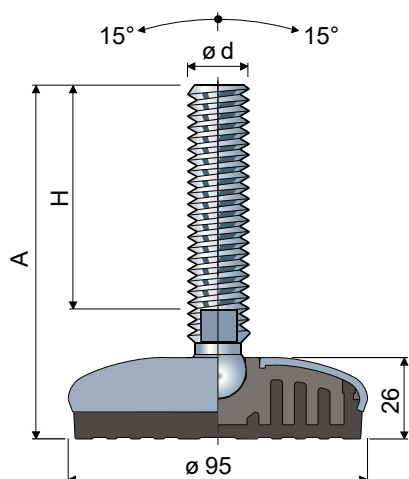


Articulated feet sanitizable (stainless steel base) ø 95 - Part. PO14
Piedi sanificabili snodati (base in acciaio inox) ø 95 - Part. PO14



Spindle measures in mm / Misure stelo in mm

ød	A	H	Wrench Chiave	Spindle and base in stainless steel AISI 304 Stelo e base in acciaio inox AISI 304		Max static load Carico statico (N)
				Type/Tipo	Code/Codice	
M16x2	103	60	13	PO14A	CP001415	22000
	133	90	13	PO14B	CP001416	
	148	105	13	PO14C	CP001417	
	168	125	13	PO14D	CP001418	
	198	155	13	PO14E	CP001419	
	208	165	13	PO14F	CP001420	
	248	205	13	PO14G	CP001421	
M20x2,5	132	86	17	PO14H	CP001422	24000
	162	116	17	PO14I	CP001423	
	187	141	17	PO14L	CP001424	
	207	161	17	PO14Y	CPA00950	
	244	198	17	PO14M	CP001425	
M24x3	142	96	19	PO14N	CP001426	26000
	168	122	19	PO14O	CP001427	
	198	152	19	PO14P	CP001428	
	228	182	19	PO14Q	CP001429	
M30x3,5	346	300	19	PO14R	CP001430	28000
	190	144	24	PO14U	CPA01428	

Spindle measures in mm / Misure stelo in mm

ød	A	H	Wrench Chiave	Spindle and base in stainless steel AISI 304 Stelo e base in acciaio inox AISI 304		Max static load Carico statico (N)
				Type/Tipo	Code/Codice	
M24x2	184	138	19	PO14V	CPA01429	26000
	199	153	19	PO14Z	CPA01430	
	257	211	19	PO14W	CPA01431	
	302	256	19	PO14X	CPA01432	

Spindle measures in inches / Misure stelo in pollici

ød	A	H	Wrench Chiave	Spindle and base in stainless steel AISI 304 Stelo e base in acciaio inox AISI 304		Max static load Carico statico (N)
				Type/Tipo	Code/Codice	
5/8"-11 UNC	8,70"	7"	1/2"	PO14S	CP001431	22000
3/4"-10 UNC	8,78"	7"	5/8"	PO14T	CP001432	24000

Washers/Rosette UNI 6592-69

ø M	M16	M20	M24	M30
S mm	3	3	4	4
ø A mm	30	37	44	56
Code/Codice IN	CP007291	CP007292	CP007294	CP007296

BASE MATERIAL: Internal part made of reinforced polyamide; external covering made of stainless steel AISI 304; anti-slip pad made of thermoplastic rubber 68 Shore black colour.

FEATURES: Co-moulded anti-slip pad allows a perfect adherence with steel base. Consequent absence of internal cavities makes foot extremely cleanable.

Nuts/Dadi UNI 5588-65

ø d	M16	M20	M24	M30
S mm	13	16	19	24
Ch. mm	24	30	36	46
Code/Codice IN	CP007277	CP007278	CP007280	CP007282

MATERIALE BASE: Anima interna in poliammide + FV; rivestimento esterno in acciaio inox AISI 304; antivibrante in gomma termoplastica 68 shore colore nero.

CARATTERISTICHE: L'antivibrante costampato consente una perfetta aderenza con la base in acciaio. La conseguente aderenza di cavità interne rende il piede estremamente sanificabile.