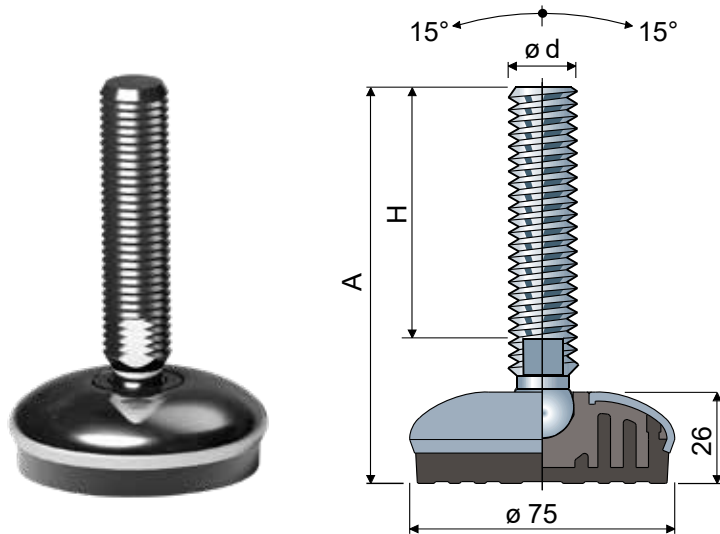


Articulated feet sanitizable (stainless steel base) \varnothing 75 - Part. PO12
Piedi sanificabili snodati (base in acciaio inox) \varnothing 75 - Part. PO12



Spindle measures in mm / Misure stelo in mm

ød	A	H	Wrench Chiave	Spindle and base in stainless steel AISI 304 Stelo e base in acciaio inox AISI 304		Max static load Carico statico (N)
				Type/Tipo	Code/Codice	
M16x2	103	60	13	PO12A	CP001379	19000
	133	90	13	PO12B	CP001380	
	148	105	13	PO12C	CP001381	
	168	125	13	PO12D	CP001382	
	198	155	13	PO12E	CP001383	
	208	165	13	PO12F	CP001384	
M20x2,5	248	205	13	PO12G	CP001385	21000
	132	86	17	PO12H	CP001386	
	162	116	17	PO12I	CP001387	
	187	141	17	PO12L	CP001388	
	207	161	17	PO12V	CPA00949	
	244	198	17	PO12M	CP001389	
M24x3	142	96	19	PO12N	CP001390	23000
	168	122	19	PO12O	CP001391	
	198	152	19	PO12P	CP001392	
	228	182	19	PO12Q	CP001393	
M30x3,5	346	300	19	PO12R	CP001394	25000
	190	144	24	PO12U	CPA01379	

Spindle measures in inches / Misure stelo in pollici

ød	A	H	Wrench Chiave	Spindle and base in stainless steel AISI 304 Stelo e base in acciaio inox AISI 304		Max static load Carico statico (N)
				Type/Tipo	Code/Codice	
5/8"-11 UNC	8,70"	7"	1/2"	PO12S	CP001395	19000
3/4"-10 UNC	8,78"	7"	5/8"	PO12T	CP001396	21000

Washers/Rosette UNI 6592-69

ø M	M16	M20	M24	M30
S mm	3	3	4	4
ø A mm	30	37	44	56
Code/Codice IN	CP007291	CP007292	CP007294	CP007296

Nuts/Dadi UNI 5588-65

ø d	M16	M20	M24	M30
S mm	13	16	19	24
Ch. mm	24	30	36	46
Code/Codice IN	CP007277	CP007278	CP007280	CP007282

BASE MATERIAL: Internal part made of reinforced polyamide; external covering made of stainless steel AISI 304; anti-slip pad made of thermoplastic rubber 68 Shore black colour.

FEATURES: Co-moulded anti-slip pad allows a perfect adherence with steel base. Consequent absence of internal cavities makes foot extremely cleanable.

MATERIALE BASE: Anima interna in poliammide + FV; rivestimento esterno in acciaio inox AISI 304; antivibrante in gomma termoplastica 68 shore colore nero.

CARATTERISTICHE: L'antivibrante costampato consente una perfetta aderenza con la base in acciaio. La conseguente aderenza di cavità interne rende il piede estremamente sanificabile.