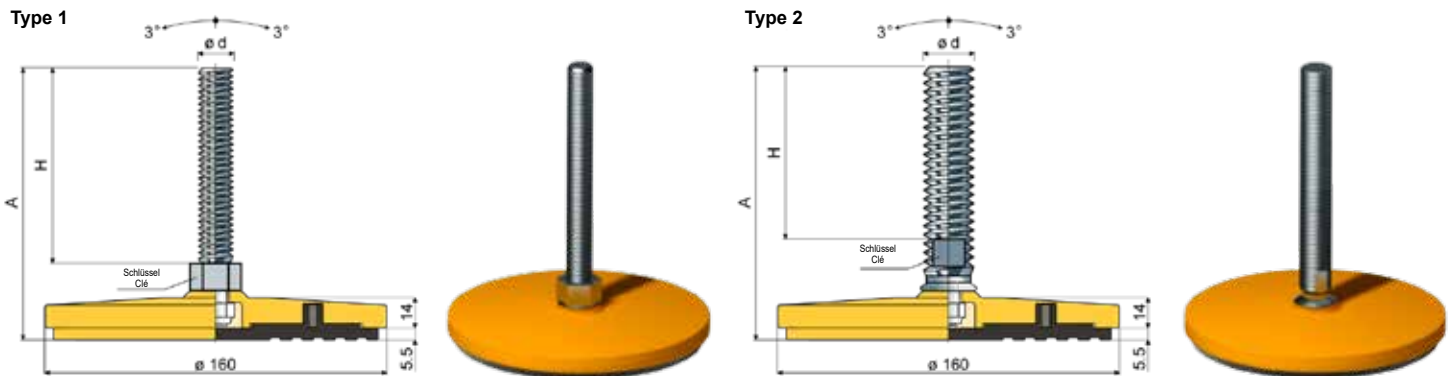


Stellfüße (Fussplatte aus Stahl RAL 1007) ø 160 - Part. PO31 und POX31
Pieds orientables (base en acier RAL 1007) ø 160 - Part. PO31 e POX31



| Maße der Spindel in mm Mesures du tige en mm | | | Spindel aus Zinkstahl Tige en acier zingué | | | | Spindel aus Edelstahl AISI 304 Tige en acier inox AISI 304 | | | | Max. statische Last Charge statique (N) | |
|---|-----|-----|---|--------|--------|----------|---|--------|--------|----------|--|-------|
| ø d | A | H | Schlüssel Clé | Type 1 | Type 2 | Code | Type 1 | Type 2 | Code | | | |
| M16x2 | 93 | 57 | 24 | PO31A | - | CPB00419 | - | - | POX31A | CPB00435 | - | 50000 |
| | 154 | 118 | 24 | PO31B | - | CPB00420 | - | - | POX31B | CPB00436 | - | |
| | 180 | 144 | 24 | PO31C | - | CPB00421 | - | - | POX31C | CPB00437 | - | |
| | 236 | 200 | 24 | PO31D | - | CPB00422 | - | - | POX31D | CPB00438 | - | |
| M20x2,5 | 132 | 89 | 17 | - | PO31E | CPB00423 | - | - | POX31E | CPB00439 | - | |
| | 150 | 107 | 17 | - | PO31F | CPB00424 | - | - | POX31F | CPB00440 | - | |
| | 179 | 136 | 17 | - | PO31G | CPB00425 | - | - | POX31G | CPB00441 | - | |
| | 200 | 157 | 17 | - | PO31H | CPB00426 | - | - | POX31H | CPB00442 | - | |
| | 233 | 190 | 17 | - | PO31I | CPB00427 | - | - | POX31I | CPB00443 | - | |
| M24x3 | 281 | 238 | 17 | - | PO31L | CPB00428 | - | - | POX31L | CPB00444 | - | |
| | 136 | 90 | 19 | - | PO31M | CPB00429 | - | - | POX31M | CPB00445 | - | |
| | 173 | 127 | 19 | - | PO31N | CPB00430 | - | - | POX31N | CPB00446 | - | |
| | 208 | 162 | 19 | - | PO31O | CPB00431 | - | - | POX31O | CPB00447 | - | |
| M30x3,5 | 248 | 202 | 19 | - | PO31P | CPB00432 | - | - | POX31P | CPB00448 | - | |
| | 170 | 125 | 24 | - | PO31Q | CPB00433 | - | - | POX31Q | CPB00449 | - | |
| | 230 | 185 | 24 | - | PO31R | CPB00434 | - | - | POX31R | CPB00450 | - | |

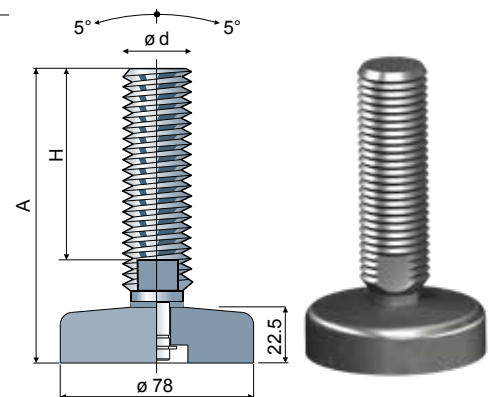
GRUNDMATERIAL: Lackierter Stahl in GELB RAL 1007.

MATÉRIAU DE BASE: Acier peint en JAUNE RAL 1007.

Sterilisierbare Stellfüße (Fußplatte aus Edelstahl für hohe Belastungen) ø 78 - Part. PO24
Pieds orientables desinfectables (Base en acier inox pour grandes portées) ø 78 - Part. PO24

Maße der Spindel in mm / Mesures du tige en mm

| ø d | A | H | Schlüssel Clé | Fußplatte und Spindel aus Edelstahl AISI 304 Tige et embase en acier inox AISI 304 | | Max. statische Last Charge statique max (N) |
|---------|-----|-----|------------------|---|----------|--|
| | | | | Type | Code | |
| M16x2 | 99 | 58 | 13 | PO24A | CPA01186 | 52000 |
| | 130 | 89 | 13 | PO24S | CPA00948 | |
| | 160 | 119 | 13 | PO24B | CPA01187 | |
| | 186 | 145 | 13 | PO24C | CPA01188 | |
| | 242 | 201 | 13 | PO24D | CPA01189 | |
| M20x2,5 | 132 | 89 | 17 | PO24E | CPA01190 | |
| | 150 | 107 | 17 | PO24F | CPA01191 | |
| | 179 | 136 | 17 | PO24G | CPA01192 | |
| | 200 | 157 | 17 | PO24H | CPA01193 | |
| | 233 | 190 | 17 | PO24I | CPA01194 | |
| M24x3 | 281 | 238 | 17 | PO24L | CPA01195 | |
| | 136 | 90 | 19 | PO24M | CPA01196 | |
| | 173 | 127 | 19 | PO24N | CPA01197 | |
| | 208 | 162 | 19 | PO24O | CPA01198 | |
| M30x3,5 | 248 | 202 | 19 | PO24P | CPA01199 | |
| | 171 | 125 | 24 | PO24Q | CPA01200 | |
| | 231 | 185 | 24 | PO24R | CPA01201 | |



Unterlegscheiben/Rondelles UNI 6592-69

| ø M | M16 | M20 | M24 | M30 |
|-----------|----------|----------|----------|----------|
| S mm | 3 | 3 | 4 | 4 |
| ø A mm | 30 | 37 | 44 | 56 |
| Code INOX | CP007291 | CP007292 | CP007294 | CP007296 |

Muttern/Écrous UNI 5588-65

| ø d | M16 | M20 | M24 | M30 |
|-----------|----------|----------|----------|----------|
| S mm | 13 | 16 | 19 | 24 |
| Ch. mm | 24 | 30 | 36 | 46 |
| Code INOX | CP007277 | CP007278 | CP007280 | CP007282 |

MATERIAL: Fußplatte und Spindel aus Edelstahl AISI 304.

MATÉRIAU: Base et tige en acier inox AISI 304.