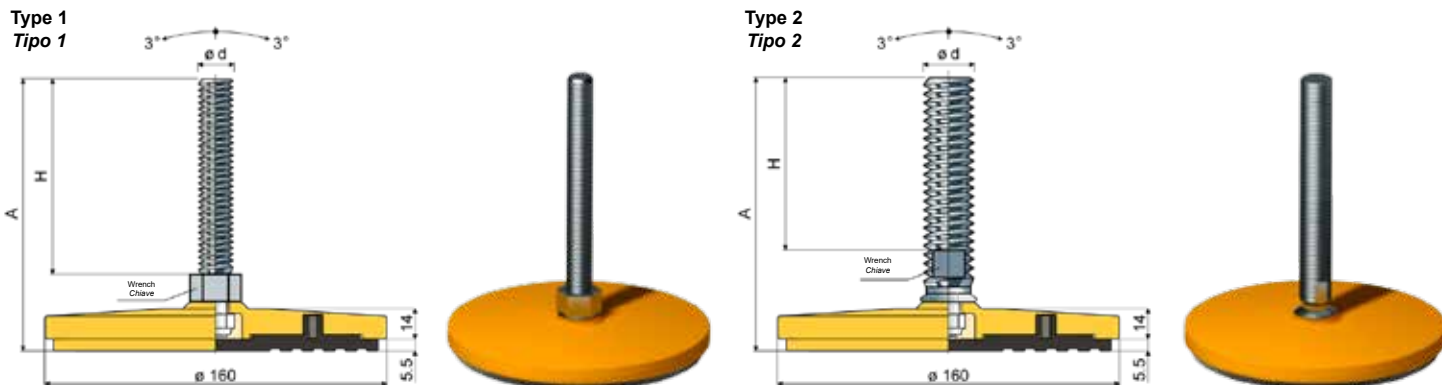


Adjustable feet (painted steel base RAL 1007) ø 160 - Part. PO31 and POX31
Piedi orientabili (base in acciaio RAL 1007) ø 160 - Part. PO31 e POX31



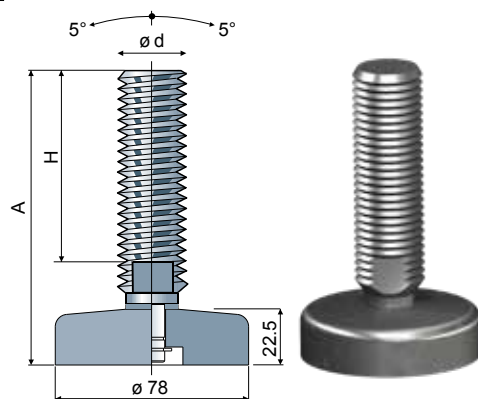
Spindle measures in mm Misure stelo in mm				Spindle in zinc plated steel Stelo in acciaio zincato				Spindle in stainless steel AISI 304 Stelo in acciaio inox AISI 304				Max static load Carico statico (N)
ød	A	H	Wrench Chiave	Type 1 Tipo 1	Code Codice	Type 2 Tipo 2	Code Codice	Type 1 Tipo 1	Code Codice	Type 2 Tipo 2	Code Codice	
M16x2	93	57	24	PO31A	CPB00419	-	-	POX31A	CPB00435	-	-	50000
	154	118	24	PO31B	CPB00420	-	-	POX31B	CPB00436	-	-	
	180	144	24	PO31C	CPB00421	-	-	POX31C	CPB00437	-	-	
	236	200	24	PO31D	CPB00422	-	-	POX31D	CPB00438	-	-	
M20x2,5	132	89	17	-	-	PO31E	CPB00423	-	-	POX31E	CPB00439	
	150	107	17	-	-	PO31F	CPB00424	-	-	POX31F	CPB00440	
	179	136	17	-	-	PO31G	CPB00425	-	-	POX31G	CPB00441	
	200	157	17	-	-	PO31H	CPB00426	-	-	POX31H	CPB00442	
	233	190	17	-	-	PO31I	CPB00427	-	-	POX31I	CPB00443	
M24x3	281	238	17	-	-	PO31L	CPB00428	-	-	POX31L	CPB00444	
	136	90	19	-	-	PO31M	CPB00429	-	-	POX31M	CPB00445	
	173	127	19	-	-	PO31N	CPB00430	-	-	POX31N	CPB00446	
	208	162	19	-	-	PO31O	CPB00431	-	-	POX31O	CPB00447	
M30x3,5	248	202	19	-	-	PO31P	CPB00432	-	-	POX31P	CPB00448	
	170	125	24	-	-	PO31Q	CPB00433	-	-	POX31Q	CPB00449	
	230	185	24	-	-	PO31R	CPB00434	-	-	POX31R	CPB00450	

MATERIAL: Painted steel color YELLOW RAL 1007.

MATERIALE BASE: Acciaio verniciato colore GIALLO RAL 1007.

Adjustable feet sanitizable (stainless steel base for important loads) ø 78 - Part. PO24
Piedi sanificabili orientabili (base in acciaio inox per grandi portate) ø 78 - Part. PO24

ød	A	H	Wrench Chiave	Spindle and base in stainless steel AISI 304		Max static load Carico statico (N)
				Stelo e base in acciaio inox AISI 304		
				Type/Tipo	Code/Codice	
M16x2	99	58	13	PO24A	CPA01186	52000
	130	89	13	PO24S	CPA00948	
	160	119	13	PO24B	CPA01187	
	186	145	13	PO24C	CPA01188	
M20x2,5	242	201	13	PO24D	CPA01189	
	132	89	17	PO24E	CPA01190	
	150	107	17	PO24F	CPA01191	
	179	136	17	PO24G	CPA01192	
	200	157	17	PO24H	CPA01193	
M24x3	233	190	17	PO24I	CPA01194	
	281	238	17	PO24L	CPA01195	
	136	90	19	PO24M	CPA01196	
	173	127	19	PO24N	CPA01197	
M30x3,5	208	162	19	PO24O	CPA01198	
	248	202	19	PO24P	CPA01199	
	171	125	24	PO24Q	CPA01200	
	231	185	24	PO24R	CPA01201	



Washers/Rosette UNI 6592-69

ø M	M16	M20	M24	M30
S mm	3	3	4	4
ø A mm	30	37	44	56
Code/Codice IN	CP007291	CP007292	CP007294	CP007296

Nuts/Dadi UNI 5588-65

ø d	M16	M20	M24	M30
S mm	13	16	19	24
Ch. mm	24	30	36	46
Code/Codice IN	CP007277	CP007278	CP007280	CP007282

BASE MATERIAL: Spindle and base in stainless steel AISI 304.

MATERIALE BASE: Base e stelo in acciaio inox AISI 304.