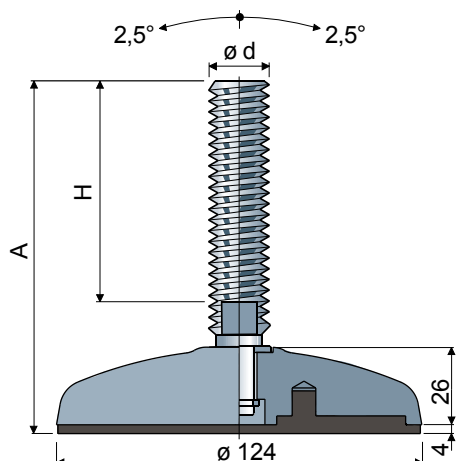


Stellfüße (Fussplatte aus Stahl) ø 124 - Part. PO11 und POX11
Pieds orientables (base en acier) ø 124 - Part. PO11 e POX11



Maße der Spindel in mm / Mesures du tige en mm			Fussplatte aus Nickelstahl Base en acier nickelé		Fussplatte aus Nickelstahl Base en acier nickelé		Fussplatte aus Edelstahl AISI 304 Embase en acier inox AISI 304			
ød	A	H	Schlüssel Clé	Spindel aus Zinkstahl Tige en acier zingué		Spindel aus Edelstahl AISI 304 Tige en acier inox AISI 304		Spindel aus Edelstahl AISI 304 Tige en acier inox AISI 304		Max. statische Last Charge statique (N)
				Type	Code	Type	Code	Type	Code	
M16x2	104	58	13	PO11A	CP001347	POX11A	CP001363	POX11XA	CPA01363	55000
	135	89	13	PO11T	CPA00945	POX11T	CPA00946	POX11XT	CPA00947	
	165	119	13	PO11B	CP001348	POX11B	CP001364	POX11XB	CPA01364	
	191	145	13	PO11C	CP001349	POX11C	CP001365	POX11XC	CPA01365	
M18x2,5	247	201	13	PO11D	CP001350	POX11D	CP001366	POX11XD	CPA01366	55000
	203	157	15	PO11E	CP001351	POX11E	CP001367	POX11XE	CPA01367	
M20x2,5	138	89	17	PO11S	CPA01347	POX11S	CPA01348	POX11XS	CPA01349	56000
	156	107	17	PO11F	CP001352	POX11F	CP001368	POX11XF	CPA01368	
	185	136	17	PO11G	CP001353	POX11G	CP001369	POX11XG	CPA01369	
	206	157	17	PO11H	CP001354	POX11H	CP001370	POX11XH	CPA01370	
	239	190	17	PO11I	CP001355	POX11I	CP001371	POX11XI	CPA01371	
M24x3	287	238	17	PO11L	CP001356	POX11L	CP001372	POX11XL	CPA01372	57000
	142	90	19	PO11M	CP001357	POX11M	CP001373	POX11XM	CPA01373	
	179	127	19	PO11N	CP001358	POX11N	CP001374	POX11XN	CPA01374	
	214	162	19	PO11O	CP001359	POX11O	CP001375	POX11XO	CPA01375	
M30x3,5	254	202	19	PO11P	CP001360	POX11P	CP001376	POX11XP	CPA01376	58000
	177	125	24	PO11Q	CP001361	POX11Q	CP001377	POX11XQ	CPA01377	
	237	185	24	PO11R	CP001362	POX11R	CP001378	POX11XR	CPA01378	

Unterlegscheiben/Rondelles UNI 6592-69

ø M	M16	M20	M24	M30
S mm	3	3	4	4
ø A mm	30	37	44	56
Code ZINC	CP007289	CP007290	CP007293	CP007295
Code INOX	CP007291	CP007292	CP007294	CP007296

Muttern/Écrous UNI 5588-65

ø d	M16	M20	M24	M30
S mm	13	16	19	24
Ch. mm	24	30	36	46
Code ZINC	CP007275	CP007276	CP007279	CP007281
Code INOX	CP007277	CP007278	CP007280	CP007282

MATERIALE BASE: Acciaio verniciato colore GIALLO RAL 1002