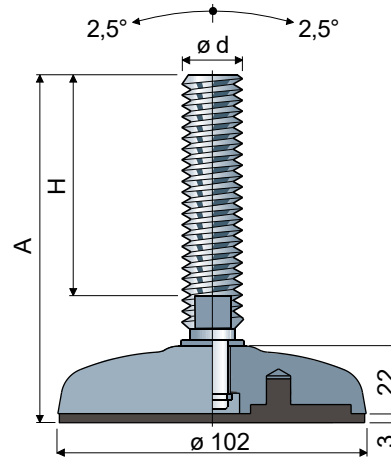
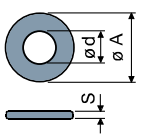


Adjustable feet (base in steel) \varnothing 102 - Part. PO10 and POX10
Piedi orientabili (base in acciaio) \varnothing 102 - Part. PO10 e POX10



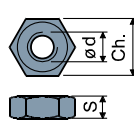
Spindle measures in mm / Misure stelo in mm				Base in nickel plated steel Base in acciaio nichelato		Base in nickel plated steel Base in acciaio nichelato		Base in stainless steel AISI 304 Base in acciaio inox AISI 304		Max static load Carico statico (N)
$\varnothing d$	A	H	Wrench Chiave	Spindle in zinc plated steel Stelo in acciaio zincato		Spindle in stainless steel AISI 304 Stelo in acciaio inox AISI 304		Spindle in stainless steel AISI 304 Stelo in acciaio inox AISI 304		
				Type Tipo	Code Codice	Type Tipo	Code Codice	Type Tipo	Code Codice	
M16x2	101	58	13	PO10A	CP001319	POX10A	CP001333	POX10XA	CPA01333	50000
	132	89	13	PO10R	CPA00942	POX10R	CPA00943	POX10XR	CPA00944	
	162	119	13	PO10B	CP001320	POX10B	CP001334	POX10XB	CPA01334	
	188	145	13	PO10C	CP001321	POX10C	CP001335	POX10XC	CPA01335	
M18x2,5	244	201	13	PO10D	CP001322	POX10D	CP001336	POX10XD	CPA01336	51000
	200	157	15	PO10E	CP001323	POX10E	CP001337	POX10XE	CPA01337	
M20x2,5	135	89	17	PO10Q	CPA01319	POX10Q	CPA01320	POX10XQ	CPA01321	51000
	153	107	17	PO10F	CP001324	POX10F	CP001338	POX10XF	CPA01338	
	182	136	17	PO10G	CP001325	POX10G	CP001339	POX10XG	CPA01339	
	203	157	17	PO10H	CP001326	POX10H	CP001340	POX10XH	CPA01340	
	236	190	17	PO10I	CP001327	POX10I	CP001341	POX10XI	CPA01341	
M24x3	284	238	17	PO10L	CP001328	POX10L	CP001342	POX10XL	CPA01342	52000
	139	90	19	PO10M	CP001329	POX10M	CP001343	POX10XM	CPA01343	
	176	127	19	PO10N	CP001330	POX10N	CP001344	POX10XN	CPA01344	
	211	162	19	PO10O	CP001331	POX10O	CP001345	POX10XO	CPA01345	
	250	202	19	PO10P	CP001332	POX10P	CP001346	POX10XP	CPA01346	

Washers/Rosette UNI 6592-69



$\varnothing M$	M16	M20	M24
S mm	3	3	4
$\varnothing A$ mm	30	37	44
Code/Codice ZI	CP007289	CP007290	CP007293
Code/Codice IN	CP007291	CP007292	CP007294

Nuts/Dadi UNI 5588-65



$\varnothing d$	M16	M20	M24
S mm	13	16	19
Ch. mm	24	30	36
Code/Codice ZI	CP007275	CP007276	CP007279
Code/Codice IN	CP007277	CP007278	CP007280

BASE MATERIAL: Nickel plated steel or stainless steel AISI 304.

MATERIALE BASE: Acciaio nichelato o acciaio inox AISI 304.