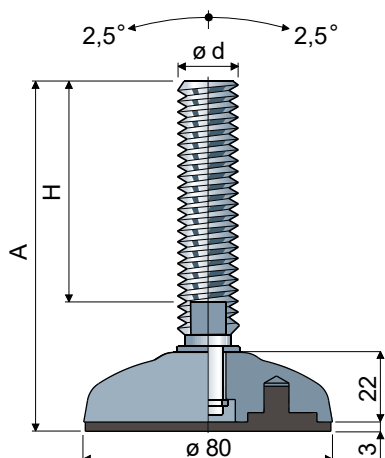
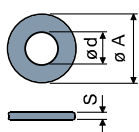


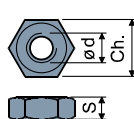
Adjustable feet (base in nickel plated steel) \varnothing 80 - Part. PO9 and POX9
Piedi orientabili (base in acciaio nichelato) \varnothing 80 - Part. PO9 e POX9


Spindle measures in mm / Misure stelo in mm
Spindle material / Materiale stelo

ød	A	H	Wrench Chiave	Zinc plated steel Acciaio zincato		Stainless steel AISI 304 Acciaio inox AISI 304		Max static load Carico statico (N)
				Type Tipo	Code Codice	Type Tipo	Code Codice	
M16x2	101	58	13	PO9A	CP001291	POX9A	CP001305	46000
	132	89	13	PO9R	CPA00940	POX9R	CPA00941	
	162	119	13	PO9B	CP001292	POX9B	CP001306	
	188	145	13	PO9C	CP001293	POX9C	CP001307	
	244	201	13	PO9D	CP001294	POX9D	CP001308	
M18x2,5	200	157	15	PO9E	CP001295	POX9E	CP001309	47000
	135	89	17	PO9Q	CPA01291	POX9Q	CPA01292	
M20x2,5	153	107	17	PO9F	CP001296	POX9F	CP001310	
	182	136	17	PO9G	CP001297	POX9G	CP001311	
	203	157	17	PO9H	CP001298	POX9H	CP001312	
	236	190	17	PO9I	CP001299	POX9I	CP001313	
	284	238	17	PO9L	CP001300	POX9L	CP001314	
M24x3	139	90	19	PO9M	CP001301	POX9M	CP001315	48000
	176	127	19	PO9N	CP001302	POX9N	CP001316	
	211	162	19	PO9O	CP001303	POX9O	CP001317	
	250	202	19	PO9P	CP001304	POX9P	CP001318	

Washers/Rosette UNI 6592-69


ø M	M16	M20	M24
S mm	3	3	4
ø A mm	30	37	44
Code/Codice ZI	CP007289	CP007290	CP007293
Code/Codice IN	CP007291	CP007292	CP007294

Nuts/Dadi UNI 5588-65


ø d	M16	M20	M24
S mm	13	16	19
Ch. mm	24	30	36
Code/Codice ZI	CP007275	CP007276	CP007279
Code/Codice IN	CP007277	CP007278	CP007280

BASE MATERIAL: Nickel plated steel.

MATERIALE BASE: Acciaio nichelato.