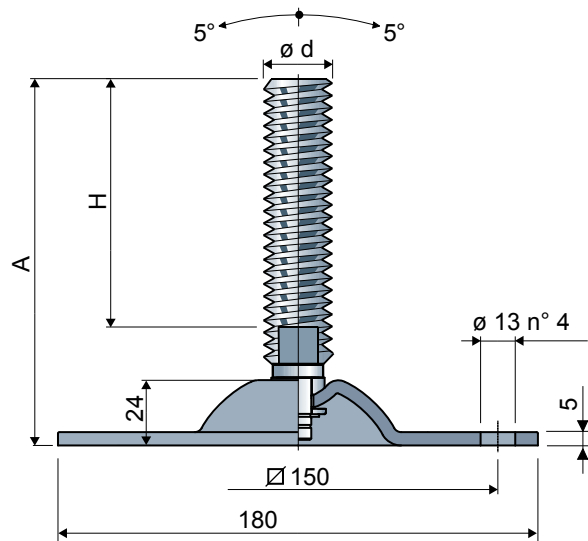


Stellfüße (Fussplatte aus Stahl) 180x180 - Part. PO8 und POX8
Pieds orientables (base en acier) 180x180 - Part. PO8 e POX8



Maße der Spindel in mm / Mesures du tige en mm

Material der Spindel / Matériau du tige

ød	A	H	Schlüssel Clé	Material der Spindel / Matériau du tige				Max. statische Last Charge statique (N)
				Zinkstahl Acier zingué		Edelstahl AISI 304 Acier inox AISI 304		
				Type	Code	Type	Code	
M16x2	100	57	13	PO8A	CP001275	POX8A	CPA01275	45000
	131	89	13	PO8U	CPA00938	POX8U	CPA00939	
	161	118	13	PO8B	CP001276	POX8B	CPA01276	
	187	144	13	PO8C	CP001277	POX8C	CPA01277	
M18x2,5	243	200	13	PO8D	CP001278	POX8D	CPA01278	46000
	199	157	15	PO8E	CP001279	POX8E	CPA01279	
M20x2,5	134	89	17	PO8S	CPB01275	POX8S	CPB01276	47000
	152	107	17	PO8F	CP001280	POX8F	CPA01280	
	181	136	17	PO8G	CP001281	POX8G	CPA01281	
	202	157	17	PO8H	CP001282	POX8H	CPA01282	
	235	190	17	PO8I	CP001283	POX8I	CPA01283	
M24x3	283	238	17	PO8L	CP001284	POX8L	CPA01284	48000
	138	90	19	PO8M	CP001285	POX8M	CPA01285	
	175	127	19	PO8N	CP001286	POX8N	CPA01286	
	210	162	19	PO8O	CP001287	POX8O	CPA01287	
M30x3,5	250	202	19	PO8P	CP001288	POX8P	CPA01288	49000
	173	125	24	PO8Q	CP001289	POX8Q	CPA01289	
	233	185	24	PO8R	CP001290	POX8R	CPA01290	

Unterlegscheiben/Rondelles UNI 6592-69

ø M	M16	M20	M24	M30
S mm	3	3	4	4
ø A mm	30	37	44	56
Code/Codice ZI	CP007289	CP007290	CP007293	CP007295
Code/Codice IN	CP007291	CP007292	CP007294	CP007296

Muttern/Écrous UNI 5588-65

ø d	M16	M20	M24	M30
S mm	13	16	19	24
Ch. mm	24	30	36	46
Code/Codice ZI	CP007275	CP007276	CP007279	CP007281
Code/Codice IN	CP007277	CP007278	CP007280	CP007282