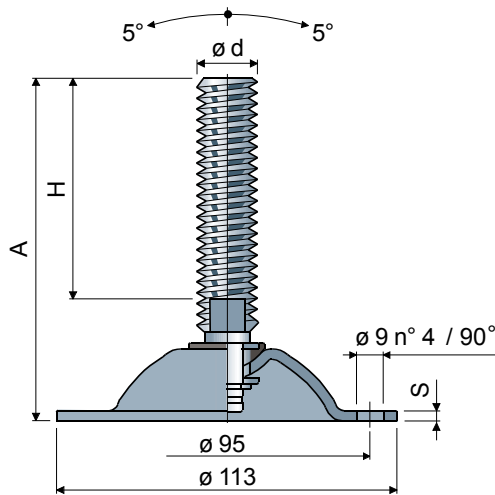


Stellfüße (Fussplatte aus Stahl) ø 113 - Part. PO7 und POX7
Pieds orientables (base en acier) ø 113 - Part. PO7 e POX7



Maße der Spindel in mm / Mesures du tige en mm

Material der Spindel / Matériau du tige

ød	A	H	Schlüssel Clé	Zinkstahl Acier zingué		Edelstahl AISI 304 Acier inox AISI 304		Max. statische Last Charge statique (N)	
				Type	Code	Type	Code		
M16x2	100	58	13	PO7A	CP001243	POX7A	CP001259	15000 (zinc plated) S = 3,5	
	131	89	13	PO7U	CPA00936	POX7U	CPA00937		
	161	119	13	PO7B	CP001244	POX7B	CP001260		
	187	145	13	PO7C	CP001245	POX7C	CP001261		
	243	201	13	PO7D	CP001246	POX7D	CP001262		
M18x2,5	199	157	15	PO7E	CP001247	POX7E	CP001263		
	134	89	17	PO7S	CPA01243	POX7S	CPA01244		
	152	107	17	PO7F	CP001248	POX7F	CP001264		
M20x2,5	181	136	17	PO7G	CP001249	POX7G	CP001265		10000 (AISI 304) S = 3
	202	157	17	PO7H	CP001250	POX7H	CP001266		
	235	190	17	PO7I	CP001251	POX7I	CP001267		
	283	238	17	PO7L	CP001252	POX7L	CP001268		
	138	90	19	PO7M	CP001253	POX7M	CP001269		
M24x3	175	127	19	PO7N	CP001254	POX7N	CP001270		
	210	162	19	PO7O	CP001255	POX7O	CP001271		
	250	202	19	PO7P	CP001256	POX7P	CP001272		
M30x3,5	173	125	24	PO7Q	CP001257	POX7Q	CP001273		
	233	185	24	PO7R	CP001258	POX7R	CP001274		

Unterlegscheiben/Rondelles UNI 6592-69

ø M	M16	M20	M24	M30
S mm	3	3	4	4
ø A mm	30	37	44	56
Code ZINC	CP007289	CP007290	CP007293	CP007295
Code INOX	CP007291	CP007292	CP007294	CP007296

Muttern/Écrous UNI 5588-65

ø d	M16	M20	M24	M30
S mm	13	16	19	24
Ch. mm	24	30	36	46
Code ZINC	CP007275	CP007276	CP007279	CP007281
Code INOX	CP007277	CP007278	CP007280	CP007282