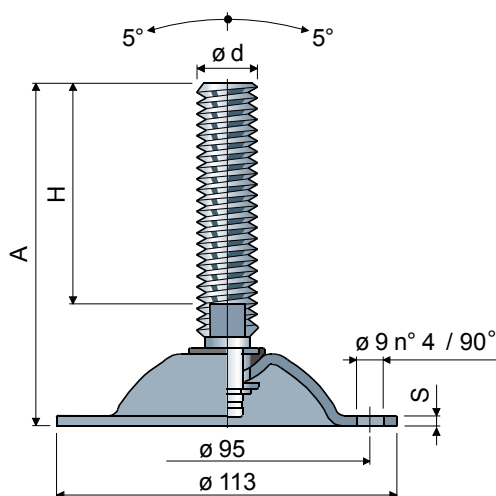


Adjustable feet (base in steel) \varnothing 113 - Part. PO7 and POX7
Piedi orientabili (base in acciaio) \varnothing 113 - Part. PO7 e POX7


Spindle measures in mm / Misure stelo in mm
Spindle material / Materiale stelo

ød	A	H	Wrench Chiave	Zinc plated steel Acciaio zincato		Stainless steel AISI 304 Acciaio inox AISI 304		Max static load Carico statico (N)
				Type Tipo	Code Codice	Type Tipo	Code Codice	
M16x2	100	58	13	PO7A	CP001243	POX7A	CP001259	15000 (zinc plated) S = 3,5
	131	89	13	PO7U	CPA00936	POX7U	CPA00937	
	161	119	13	PO7B	CP001244	POX7B	CP001260	
	187	145	13	PO7C	CP001245	POX7C	CP001261	
M18x2,5	243	201	13	PO7D	CP001246	POX7D	CP001262	
	199	157	15	PO7E	CP001247	POX7E	CP001263	
	134	89	17	PO7S	CPA01243	POX7S	CPA01244	
M20x2,5	152	107	17	PO7F	CP001248	POX7F	CP001264	
	181	136	17	PO7G	CP001249	POX7G	CP001265	
	202	157	17	PO7H	CP001250	POX7H	CP001266	
	235	190	17	PO7I	CP001251	POX7I	CP001267	
	283	238	17	PO7L	CP001252	POX7L	CP001268	
M24x3	138	90	19	PO7M	CP001253	POX7M	CP001269	10000 (AISI 304) S = 3
	175	127	19	PO7N	CP001254	POX7N	CP001270	
	210	162	19	PO7O	CP001255	POX7O	CP001271	
	250	202	19	PO7P	CP001256	POX7P	CP001272	
M30x3,5	173	125	24	PO7Q	CP001257	POX7Q	CP001273	
	233	185	24	PO7R	CP001258	POX7R	CP001274	

Washers/Rosette UNI 6592-69

ø M	M16	M20	M24	M30
S mm	3	3	4	4
ø A mm	30	37	44	56
Code/Codice ZI	CP007289	CP007290	CP007293	CP007295
Code/Codice IN	CP007291	CP007292	CP007294	CP007296

Nuts/Dadi UNI 5588-65

ø d	M16	M20	M24	M30
S mm	13	16	19	24
Ch. mm	24	30	36	46
Code/Codice ZI	CP007275	CP007276	CP007279	CP007281
Code/Codice IN	CP007277	CP007278	CP007280	CP007282