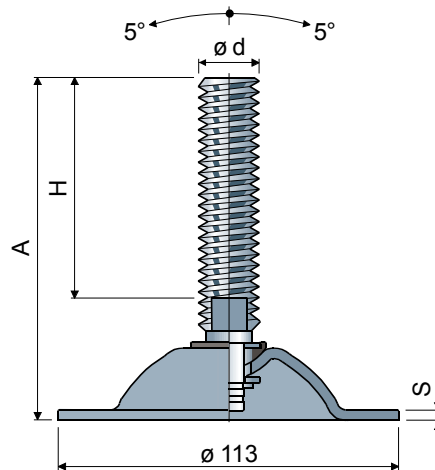


Adjustable feet (base in steel) \varnothing 113 - Part. PO6 and POX6
Piedi orientabili (base in acciaio) \varnothing 113 - Part. PO6 e POX6



Spindle measures in mm / Misure stelo in mm

Spindle material / Materiale stelo

$\varnothing d$	A	H	Wrench Chiave	Zinc plated steel Acciaio zincato		Stainless steel AISI 304 Acciaio inox AISI 304		Max static load Carico statico (N)
				Type Tipo	Code Codice	Type Tipo	Code Codice	
M16x2	100	58	13	PO6A	CP001211	POX6A	CP001227	15000 (zinc plated) S = 3,5
	131	89	13	PO6U	CPA00934	POX6U	CPA00935	
	161	119	13	PO6B	CP001212	POX6B	CP001228	
	187	145	13	PO6C	CP001213	POX6C	CP001229	
M18x2,5	243	201	13	PO6D	CP001214	POX6D	CP001230	
	199	157	15	PO6E	CP001215	POX6E	CP001231	
	134	89	17	PO6T	CPA01211	POX6T	CPA01212	
M20x2,5	152	107	17	PO6F	CP001216	POX6F	CP001232	
	181	136	17	PO6G	CP001217	POX6G	CP001233	
	202	157	17	PO6H	CP001218	POX6H	CP001234	
	235	190	17	PO6I	CP001219	POX6I	CP001235	
	283	238	17	PO6L	CP001220	POX6L	CP001236	
M24x3	138	90	19	PO6M	CP001221	POX6M	CP001237	10000 (AISI 304) S = 3
	175	127	19	PO6N	CP001222	POX6N	CP001238	
	210	162	19	PO6O	CP001223	POX6O	CP001239	
	250	202	19	PO6P	CP001224	POX6P	CP001240	
M30x3,5	173	125	24	PO6Q	CP001225	POX6Q	CP001241	
	233	185	24	PO6R	CP001226	POX6R	CP001242	

Washers/Rosette UNI 6592-69

$\varnothing M$	M16	M20	M24	M30
S mm	3	3	4	4
$\varnothing A$ mm	30	37	44	56
Code/Codice ZI	CP007289	CP007290	CP007293	CP007295
Code/Codice IN	CP007291	CP007292	CP007294	CP007296

Nuts/Dadi UNI 5588-65

$\varnothing d$	M16	M20	M24	M30
S mm	13	16	19	24
Ch. mm	24	30	36	46
Code/Codice ZI	CP007275	CP007276	CP007279	CP007281
Code/Codice IN	CP007277	CP007278	CP007280	CP007282