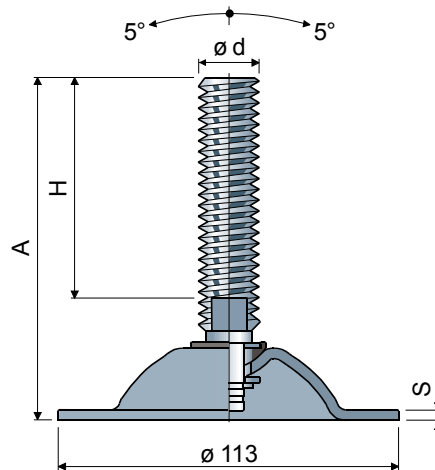


Stellfüße (Fussplatte aus Stahl) ø 113 - Part. PO6 und POX6
Pieds orientables (base en acier) ø 113 - Part. PO6 e POX6



Maße der Spindel in mm / Mesures du tige en mm

Material der Spindel / Matériau du tige

ød	A	H	Schlüssel Clé	Material der Spindel / Matériau du tige				Max. statische Last Charge statique (N)
				Zinkstahl Acier zingué		Edelstahl AISI 304 Acier inox AISI 304		
				Type	Code	Type	Code	
M16x2	100	58	13	PO6A	CP001211	POX6A	CP001227	15000 (zinc plated) S = 3,5
	131	89	13	PO6U	CPA00934	POX6U	CPA00935	
	161	119	13	PO6B	CP001212	POX6B	CP001228	
	187	145	13	PO6C	CP001213	POX6C	CP001229	
	243	201	13	PO6D	CP001214	POX6D	CP001230	
M18x2,5	199	157	15	PO6E	CP001215	POX6E	CP001231	10000 (AISI 304) S = 3
	134	89	17	PO6T	CPA01211	POX6T	CPA01212	
	152	107	17	PO6F	CP001216	POX6F	CP001232	
M20x2,5	181	136	17	PO6G	CP001217	POX6G	CP001233	10000 (AISI 304) S = 3
	202	157	17	PO6H	CP001218	POX6H	CP001234	
	235	190	17	PO6I	CP001219	POX6I	CP001235	
	283	238	17	PO6L	CP001220	POX6L	CP001236	
	138	90	19	PO6M	CP001221	POX6M	CP001237	
M24x3	175	127	19	PO6N	CP001222	POX6N	CP001238	10000 (AISI 304) S = 3
	210	162	19	PO6O	CP001223	POX6O	CP001239	
	250	202	19	PO6P	CP001224	POX6P	CP001240	
M30x3,5	173	125	24	PO6Q	CP001225	POX6Q	CP001241	10000 (AISI 304) S = 3
	233	185	24	PO6R	CP001226	POX6R	CP001242	

Unterlegscheiben/Rondelles UNI 6592-69

ø M	M16	M20	M24	M30
S mm	3	3	4	4
ø A mm	30	37	44	56
Code ZINC	CP007289	CP007290	CP007293	CP007295
Code INOX	CP007291	CP007292	CP007294	CP007296

Muttern/Écrous UNI 5588-65

ø d	M16	M20	M24	M30
S mm	13	16	19	24
Ch. mm	24	30	36	46
Code ZINC	CP007275	CP007276	CP007279	CP007281
Code INOX	CP007277	CP007278	CP007280	CP007282