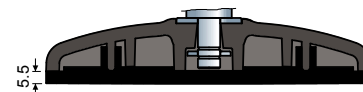
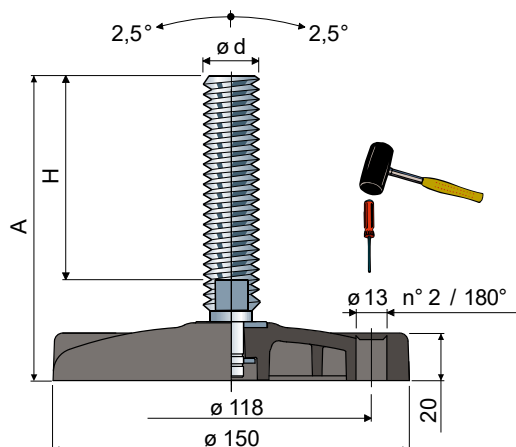


Stellfüße (Fussplatte aus Polyamid, glasfaserverstärkt) ø 150 - Part. PO23 und POX23
Pieds orientables (base en polyamide renforcé) ø 150 - Part. PO23 e POX23

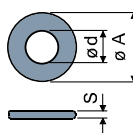


Maße der Spindel in mm
Mesures du tige en mm

Material der Spindel / Matériau du tige

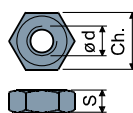
ø d	A	H	Schlüssel Clé	Zinkstahl Acier zingué		Edelstahl AISI 304 Acier inox AISI 304		Edelstahl AISI 316 Acier inox AISI 316		Max. statische Last Charge statique (N)
				Type	Code	Type	Code	Type	Code	
M16x2	98	58	13	PO23A	CPB01499	POX23A	CPC01499	-	-	45000
	129	89	13	PO23U	CPA00932	POX23U	CPA00933	-	-	
	159	119	13	PO23B	CPB01500	POX23B	CPC01500	-	-	
	185	145	13	PO23C	CPB01501	POX23C	CPC01501	-	-	
	241	201	13	PO23D	CPB01502	POX23D	CPC01502	-	-	
M18x2,5	197	157	15	PO23E	CPB01503	POX23E	CPC01503	-	-	47000
	132	89	17	PO23F	CPB01504	POX23F	CPC01504	-	-	
M20x2,5	150	107	17	PO23G	CPB01505	POX23G	CPC01505	-	-	47000
	179	136	17	PO23H	CPB01506	POX23H	CPC01506	-	-	
	200	157	17	PO23I	CPB01507	POX23I	CPC01507	POX23T	CPC01516	
	233	190	17	PO23L	CPB01508	POX23L	CPC01508	-	-	
	281	238	17	PO23M	CPB01509	POX23M	CPC01509	-	-	
M24x3	136	90	19	PO23N	CPB01510	POX23N	CPC01510	-	-	49000
	173	127	19	PO23O	CPB01511	POX23O	CPC01511	-	-	
	208	162	19	PO23P	CPB01512	POX23P	CPC01512	-	-	
	248	202	19	PO23Q	CPB01513	POX23Q	CPC01513	-	-	
M30x3,5	171	125	24	PO23R	CPB01514	POX23R	CPC01514	-	-	52000
	231	185	24	PO23S	CPB01515	POX23S	CPC01515	-	-	

Unterlegscheiben/Rondelles UNI 6592-69



ø M	M16	M20	M24	M30
S mm	3	3	4	4
ø A mm	30	37	44	56
Code ZINC	CP007289	CP007290	CP007293	CP007295
Code INOX	CP007291	CP007292	CP007294	CP007296

Muttern/Écrous UNI 5588-65



ø d	M16	M20	M24	M30
S mm	13	16	19	24
Ch. mm	24	30	36	46
Code ZINC	CP007275	CP007276	CP007279	CP007281
Code INOX	CP007277	CP007278	CP007280	CP007282

MATERIAL DER FUSSPLATTE: Polyamid, glasfaserverstärkt, schwarz. **ZUBEHÖR:** Anti-rutsch-platte - code: CP085780; material: Thermoplastischer Kautschuk 68 shore, schwarz.

MATÉRIAU BASE: Polyamide renforcé. **ACCESSOIRES:** Antigliss: Antivibranti - Code: CP085780; matériau: Caoutchouc thermoplastique 68 shore (noir).