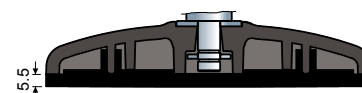
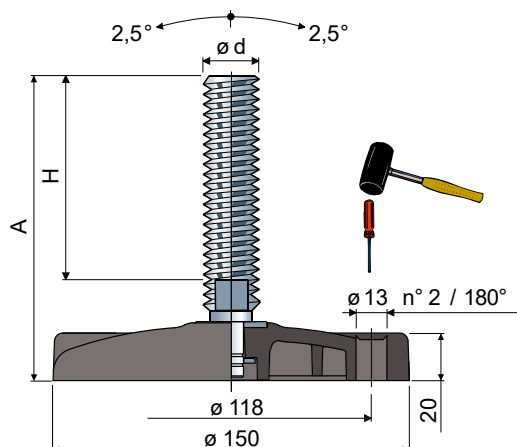


Adjustable feet (base in reinforced polyamide) \varnothing 150 - Part. PO23 and POX23
Piedi orientabili (base in poliammide rinforzata) \varnothing 150 - Part. PO23 e POX23

Spindle measures in mm
Misure stelo in mm
Spindle material / Materiale stelo
Max static load

$\varnothing d$	A	H	Wrench Chiave	Zinc plated steel / Acciaio zincato		Stainless steel AISI 304 / Acciaio inox AISI 304		Stainless steel AISI 316 / Acciaio inox AISI 316		Max static load Carico statico (N)
				Type / Tipo	Code / Codice	Type / Tipo	Code / Codice	Type / Tipo	Code / Codice	
M16x2	98	58	13	PO23A	CPB01499	POX23A	CPC01499	-	-	45000
	129	89	13	PO23U	CPA00932	POX23U	CPA00933	-	-	
	159	119	13	PO23B	CPB01500	POX23B	CPC01500	-	-	
	185	145	13	PO23C	CPB01501	POX23C	CPC01501	-	-	
M18x2,5	241	201	13	PO23D	CPB01502	POX23D	CPC01502	-	-	47000
	197	157	15	PO23E	CPB01503	POX23E	CPC01503	-	-	
M20x2,5	132	89	17	PO23F	CPB01504	POX23F	CPC01504	-	-	49000
	150	107	17	PO23G	CPB01505	POX23G	CPC01505	-	-	
	179	136	17	PO23H	CPB01506	POX23H	CPC01506	-	-	
	200	157	17	PO23I	CPB01507	POX23I	CPC01507	POX23T	CPC01516	
	233	190	17	PO23L	CPB01508	POX23L	CPC01508	-	-	
	281	238	17	PO23M	CPB01509	POX23M	CPC01509	-	-	
M24x3	136	90	19	PO23N	CPB01510	POX23N	CPC01510	-	-	52000
	173	127	19	PO23O	CPB01511	POX23O	CPC01511	-	-	
	208	162	19	PO23P	CPB01512	POX23P	CPC01512	-	-	
	248	202	19	PO23Q	CPB01513	POX23Q	CPC01513	-	-	
M30x3,5	171	125	24	PO23R	CPB01514	POX23R	CPC01514	-	-	52000
	231	185	24	PO23S	CPB01515	POX23S	CPC01515	-	-	

Washers/Rosette UNI 6592-69

$\varnothing M$	M16	M20	M24	M30
S mm	3	3	4	4
$\varnothing A$ mm	30	37	44	56
Code/Codice ZI	CP007289	CP007290	CP007293	CP007295
Code/Codice IN	CP007291	CP007292	CP007294	CP007296

Nuts/Dadi UNI 5588-65

$\varnothing d$	M16	M20	M24	M30
S mm	13	16	19	24
Ch. mm	24	30	36	46
Code/Codice ZI	CP007275	CP007276	CP007279	CP007281
Code/Codice IN	CP007277	CP007278	CP007280	CP007282


BASE MATERIAL: Reinforced polyamide black colour.

ACCESSORIES: Anti-slip pads - code: CP085780; material: thermoplastic rubber 68 Shore black colour.

MATERIALE BASE: Poliammide rinforzata colore nero.

ACCESSORI: Antivibranti - Codice: CP085780; materiale: gomma termoplastica 68 shore colore nero.