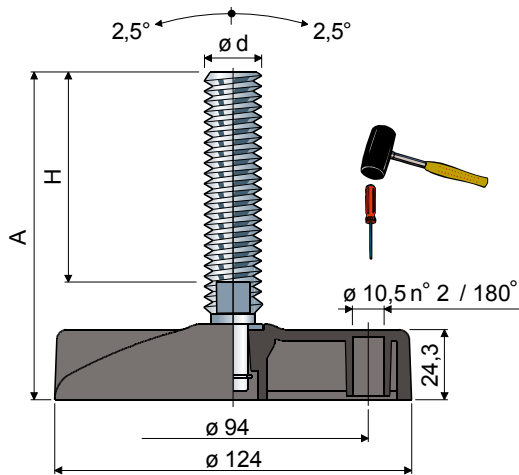


Stellfüße (Fussplatte aus Polyamid, glasfaserverstärkt) ø 124 - Part. **PO3** and **POX3**
Pieds orientables (base en polyamide renforcé) ø 124 - Part. **PO3** e **POX3**



Maße der Spindel in mm
Mesures du tige en mm

Material der Spindel / Matériau du tige

ød	A	H	Schlüssel Clé	Zinkstahl Acier zingué		Edelstahl AISI 304 Acier inox AISI 304		Edelstahl AISI 316 Acier inox AISI 316		Max. statische Last Charge statique (N)
				Type	Code	Type	Code	Type	Code	
M16x2	100	58	13	PO3A	CP001144	POX3A	CP001160	-	-	43000
	131	89	13	PO3U	CPA00928	POX3U	CPA00929	-	-	
	161	119	13	PO3B	CP001145	POX3B	CP001161	-	-	
	187	145	13	PO3C	CP001146	POX3C	CP001162	-	-	
	243	201	13	PO3D	CP001147	POX3D	CP001163	-	-	
M18x2,5	199	157	15	PO3E	CP001148	POX3E	CP001164	-	-	45000
	134	89	17	PO3S	CPA01144	POX3S	CPA01145	-	-	
	152	107	17	PO3F	CP001149	POX3F	CP001165	-	-	
M20x2,5	181	136	17	PO3G	CP001150	POX3G	CP001166	-	-	47000
	202	157	17	PO3H	CP001151	POX3H	CP001167	POX3T	CPA01146	
	235	190	17	PO3I	CP001152	POX3I	CP001168	-	-	
	283	238	17	PO3L	CP001153	POX3L	CP001169	-	-	
	138	90	19	PO3M	CP001154	POX3M	CP001170	-	-	
M24x3	175	127	19	PO3N	CP001155	POX3N	CP001171	-	-	50000
	210	162	19	PO3O	CP001156	POX3O	CP001172	-	-	
	250	202	19	PO3P	CP001157	POX3P	CP001173	-	-	
	173	125	24	PO3Q	CP001158	POX3Q	CP001174	-	-	
M30x3,5	233	185	24	PO3R	CP001159	POX3R	CP001175	-	-	50000

Unterlegscheiben/Rondelles UNI 6592-69

ø M	M16	M20	M24	M30
S mm	3	3	4	4
ø A mm	30	37	44	56
Code ZINC	CP007289	CP007290	CP007293	CP007295
Code INOX	CP007291	CP007292	CP007294	CP007296

Muttern/Écrous UNI 5588-65

ø d	M16	M20	M24	M30
S mm	13	16	19	24
Ch. mm	24	30	36	46
Code ZINC	CP007275	CP007276	CP007279	CP007281
Code INOX	CP007277	CP007278	CP007280	CP007282

MATERIAL DER FUSSPLATTE: Polyamid, glasfaserverstärkt, schwarz. **ZUBEHÖR:** Anti-rutsch-platte - code: CP007268; material: Thermoplastischer Kautschuk 68 shore, schwarz.

MATÉRIAU BASE: Polyamide renforcé. **ACCESSOIRES:** Antigliss: Antivibranti - Code: CP007268; matériau: Caoutchouc thermoplastique 68 shore (noir).