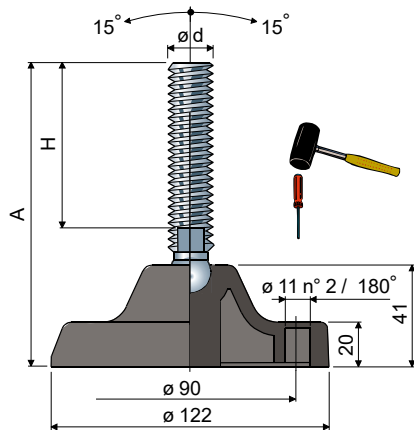


Gelenkfüße (Fussplatte aus Polyamid, glasfaserverstärkt) ø 122 - Part. PS12 und PSX12
Pieds articulés (base en polyamide renforcé) ø 122 - Part. PS12 e PSX12

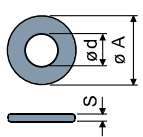


Maße der Spindel in mm / Mesures du tige en mm				Material der Spindel / Matériau du tige						
ød	A	H	Schlüssel Clé	Zinkstahl Acier zingué		Edelstahl AISI 304 Acier inox AISI 304		Edelstahl AISI 316 Acier inox AISI 316		Max. statische Last Charge statique (N)
				Type	Code	Type	Code	Type	Code	
M16x2	118	60	13	PS12A	CP001072	PSX12A	CP001090	PSX121U	CPA01072	25000
	148	90	13	PS12B	CP001073	PSX12B	CP001091	-	-	
	163	105	13	PS12C	CP001074	PSX12C	CP001092	-	-	
	183	125	13	PS12D	CP001075	PSX12D	CP001093	PSX12V	CPA01073	
	213	155	13	PS12E	CP001076	PSX12E	CP001094	-	-	
	223	165	13	PS12F	CP001077	PSX12F	CP001095	-	-	
M20x2,5	263	205	13	PS12G	CP001078	PSX12G	CP001096	-	-	27000
	147	86	17	PS12H	CP001079	PSX12H	CP001097	-	-	
	177	116	17	PS12I	CP001080	PSX12I	CP001098	-	-	
	202	141	17	PS12L	CP001081	PSX12L	CP001099	PSX12Z	CPA01074	
	222	161	17	PS12K	CPA00922	PSX12K	CPA00923	-	-	
M24x3	259	198	17	PS12M	CP001082	PSX12M	CP001100	-	-	29000
	157	96	19	PS12N	CP001083	PSX12N	CP001101	-	-	
	183	122	19	PS12O	CP001084	PSX12O	CP001102	-	-	
	213	152	19	PS12P	CP001085	PSX12P	CP001103	-	-	
	243	182	19	PS12Q	CP001086	PSX12Q	CP001104	-	-	
	361	300	19	PS12R	CP001087	PSX12R	CP001105	-	-	

Maße der Spindel in mm / Mesures du tige en mm				Material der Spindel / Matériau du tige		Max static load Carico statico (N)
ød	A	H	Schlüssel Clé	Edelstahl AISI 304 / Acier inox AISI 304		
				Type	Code	
M24x2	199	138	19	PSX12W	CPA01075	29000
	214	153	19	PSX12X	CPA01076	
	272	211	19	PSX12Y	CPA01077	
	317	256	19	PSX12J	CPA01078	

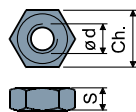
Maße der Spindel in Zoll / Mesures du tige en pouces				Material der Spindel / Matériau du tige				
ød	A	H	Schlüssel Clé	Zinkstahl Acier zingué		Edelstahl AISI 304 Acier inox AISI 304		Max. statische Last Charge statique (N)
				Type	Code	Type	Code	
5/8"-11 UNC	9,29"	7"	1/2"	PS12S	CP001088	PSX12S	CP001106	25000
3/4"-10 UNC	9,37"	7"	5/8"	PS12T	CP001089	PSX12T	CP001107	27000

Unterlegscheiben/Rondelles UNI 6592-69



ø M	M16	M20	M24
S mm	3	3	4
ø A mm	30	37	44
Code ZINC	CP007289	CP007290	CP007293
Code INOX	CP007291	CP007292	CP007294

Muttern/Écrous UNI 5588-65



ø d	M16	M20	M24
S mm	13	16	19
Ch. mm	24	30	36
Code ZINC	CP007275	CP007276	CP007279
Code INOX	CP007277	CP007278	CP007280

MATERIAL DER FUSSPLATTE: Polyamid, glasfaserverstärkt, schwarz.
ZUBEHÖR: Anti-rutsch-platte - code: CP007633; material: Thermoplastischer Kautschuk 68 shore, schwarz.

MATÉRIAU BASE: Polyamide renforcé.
ACCESSOIRES: Antigloss: Antivibranti - Code: CP007633; matériau: Caoutchouc thermoplastique 68 shore (noir).