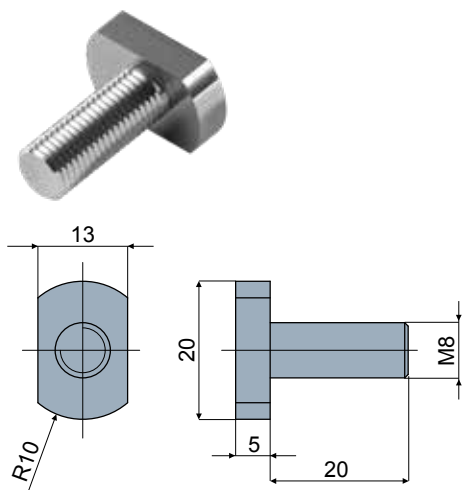


Screw with shaped head (hammer head) - Part. Q37 and QX37


Vite con testa sagomata (a martello) - Part. Q37 e QX37




Screw made of lated steel
Vite in acciaio zincato

Screw made of stainless steel AISI 304
Vite in acciaio inox AISI 304

Type/Tipo	Code/Codice	Type/Tipo	Code/Codice
Q37	CPB00498	QX37A	CPB00009

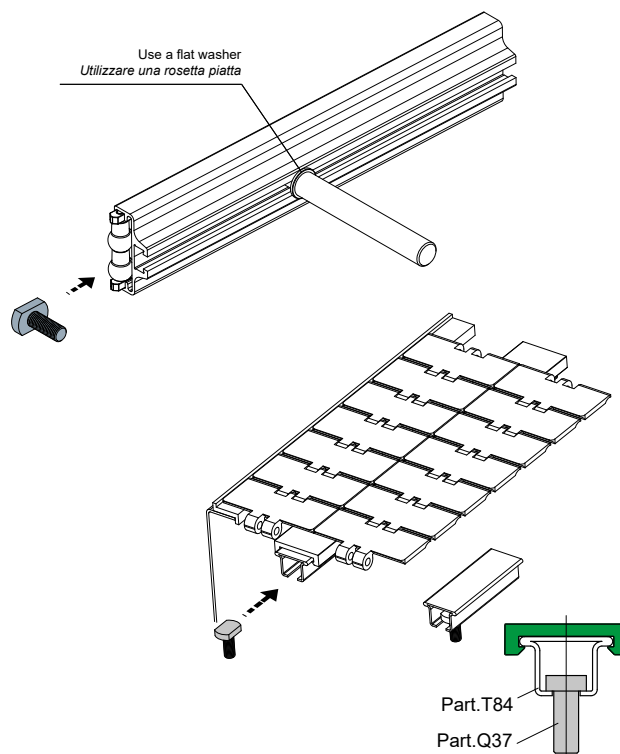
 **MATERIALS:** Screw in zinc-plated steel.

FEATURES: To be used with guides Part. T06, T07, T08, T19, Q68, Q74, Q75, Q76, T25, T26, T27, T28, Q67, Q77, Q78, Q79, T55, T56, T57, T58, Q64, Q80, T20, T21, T22, T23, T81, T84.

 **MATERIALI:** Vite in acciaio zincato.

CARATTERISTICHE: Da utilizzare nelle guide Part. T06, T07, T08, T19, Q68, Q74, Q75, Q76, T25, T26, T27, T28, Q67, Q77, Q78, Q79, T55, T56, T57, T58, Q64, Q80, T20, T21, T22, T23, T81, T84.

Application example Esempio di applicazione




Slot closing profile - Part. C22


Profilo di chiusura cava - Part. C22



Type/Tipo	Code/Codice
C22	CPB00499

 **MATERIALS:** Profile made of soft PVC grey colour.

FEATURES: To be used with guides Part.T06, T07, T08, T19, Q68, Q74, Q75, Q76, T25, T26, T27, T28, Q67, Q77, Q78, Q79, T55, T56, T57, T58, Q64, Q80, T20, T21, T22, T23, T81, T84. Pressure mounting.

 **MATERIALI:** Profilo di chiusura cava in PVC morbido colore grigio.

CARATTERISTICHE: Da utilizzare con i Part.T06, T07, T08, T19, Q68, Q74, Q75, Q76, T25, T26, T27, T28, Q67, Q77, Q78, Q79, T55, T56, T57, T58, Q64, Q80, T20, T21, T22, T23, T81, T84. Montaggio a pressione.

Application example Esempio di applicazione

