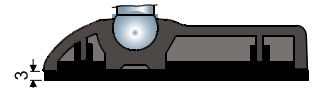
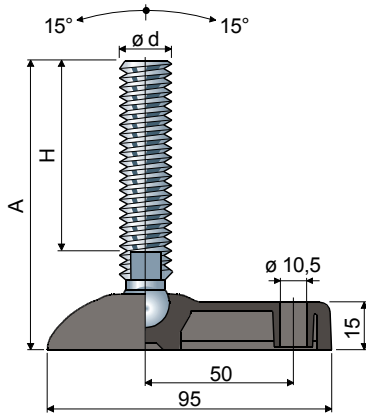


Gelenkfüße (Fussplatte aus Polyamid, glasfaserverstärkt) 60x95 - Part. PS8 and PSX8
Pieds articulés (base en polyamide renforcé) 60x95 - Part. PS8 e PSX8



Maße der Spindel in mm / Mesures du tige en mm

Material der Spindel / Matériau du tige

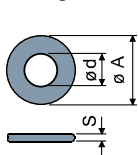
ød	A	H	Schlüssel Clé	Zinkstahl Acier zingué		Edelstahl AISI 304 Acier inox AISI 304		Edelstahl AISI 316 Acier inox AISI 316		Max. statische Last Charge statique (N)
				Type	Code	Type	Code	Type	Code	
M8x1,25	72	45	6	PS8A	CP000854	PSX8A	CP000882	-	-	12000
	92	65	6	PS8B	CP000855	PSX8B	CP000883	-	-	
	134	107	6	PS8C	CP000856	PSX8C	CP000884	-	-	
M10x1,5	64	35	8	PS8D	CP000857	PSX8D	CP000885	-	-	13000
	99	70	8	PS8E	CP000858	PSX8E	CP000886	-	-	
	144	115	8	PS8F	CP000859	PSX8F	CP000887	-	-	
M12x1,75	74	43	10	PS8G	CP000860	PSX8G	CP000888	-	-	14000
	94	63	10	PS8H	CP000861	PSX8H	CP000889	-	-	
	109	77	10	PS8I	CP000862	PSX8I	CP000890	-	-	
	124	93	10	PS8L	CP000863	PSX8L	CP000891	PSX8AA	CPA00856	
	154	123	10	PS8M	CP000864	PSX8M	CP000892	-	-	
M14x2	94	61	12	PS8N	CP000865	PSX8N	CP000893	-	-	15000
	124	91	12	PS8O	CP000866	PSX8O	CP000894	-	-	
	149	116	12	PS8P	CP000867	PSX8P	CP000895	-	-	
	198	165	12	PS8K	CPA00854	PSX8K	CPA00855	-	-	
M16x2	95	60	13	PS8Q	CP000868	PSX8Q	CP000896	PSX8AB	CPA00857	17000
	125	90	13	PS8R	CP000869	PSX8R	CP000897	-	-	
	140	105	13	PS8S	CP000870	PSX8S	CP000898	-	-	
	160	125	13	PS8T	CP000871	PSX8T	CP000899	PSX8AC	CPA00858	
	190	155	13	PS8U	CP000872	PSX8U	CP000900	-	-	
	200	165	13	PS8V	CP000873	PSX8V	CP000901	-	-	
	240	205	13	PS8Z	CP000874	PSX8Z	CP000902	-	-	
M20x2,5	125	86	17	PS8W	CP000875	PSX8W	CP000903	-	-	19000
	155	116	17	PS8X	CP000876	PSX8X	CP000904	-	-	
	180	141	17	PS8Y	CP000877	PSX8Y	CP000905	PSX8AD	CPA00859	
	200	161	17	PS8δ	CPA00881	PSX8δ	CPA00909	-	-	
	237	198	17	PS8J	CP000878	PSX8J	CP000906	-	-	

Maße der Spindel in Zoll / Mesures du tige en pouces

Material der Spindel / Matériau du tige

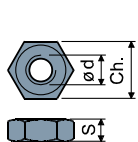
ød	A	H	Schlüssel Clé	Zinkstahl Acier zingué		Edelstahl AISI 304 Acier inox AISI 304		Max. statische Last Charge statique (N)
				Type	Code	Type	Code	
1/2"-13 UNC	5,24"	4"	7/16"	PS8α	CP000879	PSX8α	CP000907	14000
5/8"-11 UNC	8,38"	7"	1/2"	PS8β	CP000880	PSX8β	CP000908	17000
3/4"-10 UNC	8,47"	7"	5/8"	PS8γ	CP000881	PSX8γ	CP000909	19000

Unterlegscheiben/Rondelles UNI 6592-69



ø M	M8	M10	M12	M14	M16	M20
S mm	1,6	2	2,5	2,5	3	3
ø A mm	17	21	24	28	30	37
Code ZINC	CP007636	CP007283	CP007284	CP007285	CP007289	CP007290
Code INOX	CP007637	CP007286	CP007287	CP007288	CP007291	CP007292

Muttern/Écrous UNI 5588-65



ø d	M8	M10	M12	M14	M16	M20
S mm	6,5	8	10	11	13	16
Ch. mm	13	17	19	22	24	30
Code ZINC	CP007634	CP007269	CP007270	CP007271	CP007275	CP007276
Code INOX	CP007635	CP007272	CP007273	CP007274	CP007277	CP007278

MATERIAL DER FUSSPLATTE: Polyamid, glasfaserverstärkt, schwarz. **ZUBEHÖR:** Anti-rutsch-platte - code: CP007632; material: Thermoplastischer Kautschuk 68 shore, schwarz.

MATÉRIAU BASE: Polyamide renforcé. **ACCESSOIRES:** Antiglyss: Antivibranti - Code: CP007632; matériau: Caoutchouc thermoplastique 68 shore (noir).