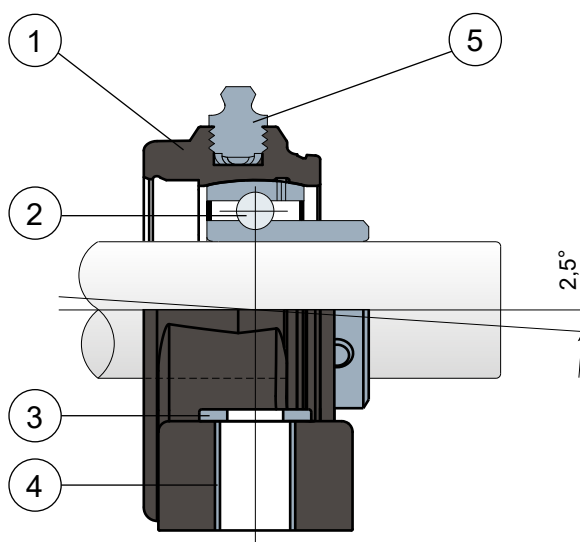


## Pillow blocks - Series SP LL and SPX LL Supporti ritti - Serie SP LL e SPX LL



Without cover and back gasket / Senza coperchio e guarnizione posteriore



- |   |   |
|---|---|
| <p> 1 - Support body made out of black or white colour (on request <b>BLUE RAL 5005</b>) polyamide reinforced with glass fibers.</p> <p>2 - Chrome steel or stainless steel bearing AISI 440.</p> <p>3 - UNI 6592 support washer made out of stainless steel AISI 304.</p> <p>4 - Spacer for fixing reinforcement made out of stainless steel AISI 304.</p> <p>5 - Greaser, straight type with 1/8 gas thread, made out of nickel-plated brass (absent in the versions with LONG LIFE bearing).</p> | <p> 1 - Corpo esterno supporto in poliammide di colore nero o bianco (a richiesta <b>BLU RAL 5005</b>) rinforzata con fibre di vetro.</p> <p>2 - Cuscinetto in acciaio al cromo o acciaio inox AISI 440.</p> <p>3 - Rosetta di appoggio UNI 6592 in acciaio inox AISI 304.</p> <p>4 - Distanziale di rinforzo fissaggi in acciaio inox AISI 304.</p> <p>5 - Ingrassatore tipo dritto con filetto da 1/8 gas in ottone nichelato (assente nelle versioni LONG LIFE).</p> |
|---|---|

**NOTE:** Protection cover on request colors **ORANGE RAL 2004** and **RED RAL 3000**

**NOTA:** Coperchio di protezione a richiesta colorazioni **ARANCIONE RAL 2004** e **ROSSO RAL 3000**

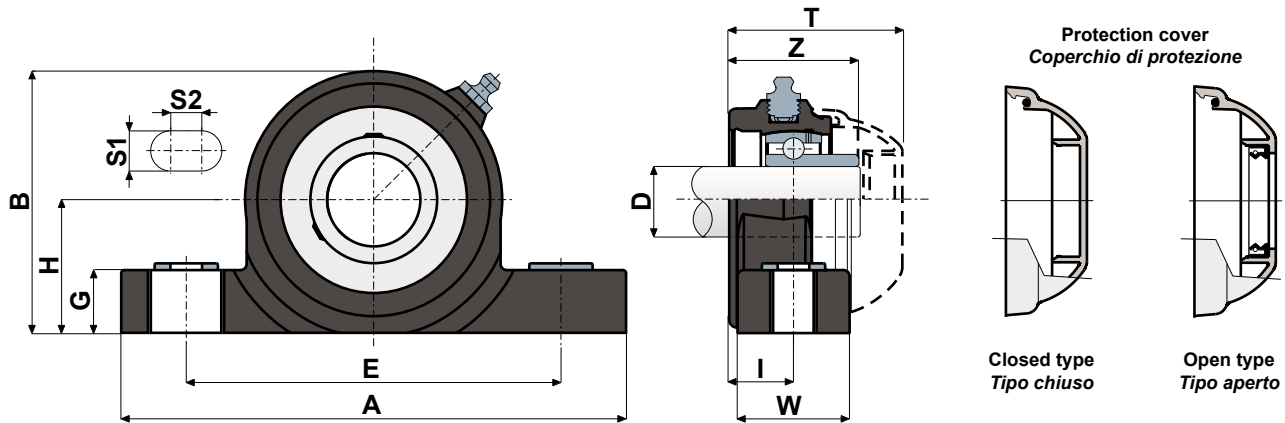
Support dimensions respect ISO 3228 set of rules.  
Maximum shaft alignment error 2,5°.

**For further information please contact our technical office or sales department.**

Le dimensioni del supporto sono conformi alla norma ISO 3228  
Errore massimo di allineamento dell'albero 2,5°

**Per ulteriori informazioni contattare il nostro Ufficio Tecnico commerciale.**

Technical data/Dati tecnici



**CHROME STEEL BEARING / CUSCINETTO IN ACCIAIO AL CROMO**

| D  | SERIE     | Support codes/Codici supporto |                 | Dimensions/Dimensioni (mm) |     |    |    |    |      |      |      |      |      | Bearing load<br>Carico cuscinetto (N) |       | Bearing support load<br>Carico supporto |       |
|----|-----------|-------------------------------|-----------------|----------------------------|-----|----|----|----|------|------|------|------|------|---------------------------------------|-------|---|-------|
|    |           | LONG LIFE BEARINGS            |                 | E                          | A   | S1 | S2 | G  | H    | B    | I    | W    | Z    | T                                     | C     | C0                                      | (N)   |
|    |           | BLACK<br>NERO                 | WHITE<br>BIANCO |                            |     |    |    |    |      |      |      |      |      |                                       |       |   |       |
| 20 | SP 204 LL | CPB01061                      | CPB01066        | 96                         | 130 | 13 | 10 | 20 | 33,5 | 65,5 | 18   | 30   | 36   | 49                                    | 12800 | 6600                                    | 5750  |
| 25 | SP 205 LL | CPB01062                      | CPB01067        | 106                        | 140 | 13 | 10 | 20 | 36,5 | 71,5 | 19,6 | 35   | 39   | 51,7                                  | 14000 | 7800                                    | 6900  |
| 30 | SP 206 LL | CPB01063                      | CPB01068        | 121                        | 163 | 13 | 10 | 20 | 43   | 84,5 | 20,7 | 36   | 41,7 | 55,7                                  | 19500 | 11300                                   | 9200  |
| 35 | SP 207 LL | CPB01064                      | CPB01069        | 126                        | 168 | 13 | 10 | 20 | 47,6 | 93,3 | 22,7 | 39   | 48   | 61,8                                  | 25500 | 15300                                   | 11500 |
| 40 | SP 208 LL | CPB01065                      | CPB01070        | 136                        | 185 | 13 | 10 | 20 | 50   | 100  | 22,5 | 38,6 | 51,5 | 70,7                                  | 32500 | 19800                                   | 11500 |

**STAINLESS STEEL BEARING AISI 440 / CUSCINETTO IN ACCIAIO INOX AISI 440**

| D  | SERIE      | Support codes/Codici supporto |                 | Dimensions/Dimensioni (mm) |     |    |    |    |      |      |      |      |      | Bearing load<br>Carico cuscinetto (N) |       | Bearing support load<br>Carico supporto |       |
|----|------------|-------------------------------|-----------------|----------------------------|-----|----|----|----|------|------|------|------|------|---------------------------------------|-------|---|-------|
|    |            | LONG LIFE BEARINGS            |                 | E                          | A   | S1 | S2 | G  | H    | B    | I    | W    | Z    | T                                     | C     | C0                                      | (N)   |
|    |            | BLACK<br>NERO                 | WHITE<br>BIANCO |                            |     |    |    |    |      |      |      |      |      |                                       |       |   |       |
| 20 | SPX 204 LL | CPB01071                      | CPB01076        | 96                         | 130 | 13 | 10 | 20 | 33,5 | 65,5 | 18   | 30   | 36   | 49                                    | 8300  | 6600                                    | 5750  |
| 25 | SPX 205 LL | CPB01072                      | CPB01077        | 106                        | 140 | 13 | 10 | 20 | 36,5 | 71,5 | 19,6 | 35   | 39   | 51,7                                  | 9150  | 7800                                    | 6900  |
| 30 | SPX 206 LL | CPB01073                      | CPB01078        | 121                        | 163 | 13 | 10 | 20 | 43   | 84,5 | 20,7 | 36   | 41,7 | 55,7                                  | 12500 | 11200                                   | 9200  |
| 35 | SPX 207 LL | CPB01074                      | CPB01079        | 126                        | 168 | 13 | 10 | 20 | 47,6 | 93,3 | 22,7 | 39   | 48   | 61,8                                  | 16600 | 15300                                   | 11500 |
| 40 | SPX 208 LL | CPB01075                      | CPB01080        | 136                        | 185 | 13 | 10 | 20 | 50   | 100  | 22,5 | 38,6 | 51,5 | 70,7                                  | 20000 | 19000                                   | 11500 |

**COVER CODES / CODICI COPERCHIO**

| D  | GREY/GRIGIO RAL 7042 |             |             |             | BLUE/BLU RAL 5015 |             |             |             |
|----|----------------------|-------------|-------------|-------------|-------------------|-------------|-------------|-------------|
|    | Closed/Chiuso        | Code/Codice | Open/Aperto | Code/Codice | Closed/Chiuso     | Code/Codice | Open/Aperto | Code/Codice |
| 20 | CF 204               | CP002004    | CF 204A     | CP002014    | CFB 204           | CPA02004    | CFB 204A    | CPA02014    |
| 25 | CF 205               | CP002005    | CF 205A     | CP002015    | CFB 205           | CPA02005    | CFB 205A    | CPA02015    |
| 30 | CF 206               | CP002006    | CF 206A     | CP002016    | CFB 206           | CPA02006    | CFB 206A    | CPA02016    |
| 35 | CF 207               | CP002007    | CF 207A     | CP002017    | CFB 207           | CPA02007    | CFB 207A    | CPA02018    |
| 40 | CF 206-7-8           | CP002008    | CF 208A     | CP002018    | CFB 206-7-8       | CPA02008    | CFB 208A    | CPA02020    |

VERSIONS WITH MEASURES IN INCHES/VERSIONE CON MISURE IN POLLICI

**CHROME STEEL BEARING / CUSCINETTO IN ACCIAIO AL CROMO**

| D<br>(Inches) | SERIE     | Support codes/Codici supporto |                 | Dimensions/Dimensioni (mm) |     |    |    |    |      |      |      |    |      | Bearing load<br>Carico cuscinetto (N) |       | Bearing support load<br>Carico supporto |      |
|---------------|-----------|-------------------------------|-----------------|----------------------------|-----|----|----|----|------|------|------|----|------|---------------------------------------|-------|---|------|
|               |           | LONG LIFE BEARINGS            |                 | E                          | A   | S1 | S2 | G  | H    | B    | I    | W  | Z    | T                                     | C     | C0                                      | (N)  |
|               |           | BLACK<br>NERO                 | WHITE<br>BIANCO |                            |     |    |    |    |      |      |      |    |      |                                       |       |   |      |
| 1"            | SP 205 LL | CPB01081                      | CPB01083        | 106                        | 140 | 13 | 10 | 20 | 36,5 | 71,5 | 19,6 | 35 | 39   | 51,7                                  | 14000 | 7800                                    | 6900 |
| 1" 1/4        | SP 206 LL | CPB01082                      | CPB01084        | 121                        | 163 | 13 | 10 | 20 | 43   | 84,5 | 20,7 | 36 | 41,7 | 55,7                                  | 19500 | 11300                                   | 9200 |

**COVER CODES/CODICI COPERCHIO**

| D      | GREY/GRIGIO RAL 7042 |             |             |             | BLUE/BLU RAL 5015 |             |             |             |
|--------|----------------------|-------------|-------------|-------------|-------------------|-------------|-------------|-------------|
|        | Closed/Chiuso        | Code/Codice | Open/Aperto | Code/Codice | Closed/Chiuso     | Code/Codice | Open/Aperto | Code/Codice |
| 1"     | CF 205               | CP002005    | CF 205A     | CP002024    | CFB 205           | CPA02005    | CFB 205A    | CPA02024    |
| 1" 1/4 | CF 206               | CP002006    | CF 206A     | CP002025    | CFB 206           | CPA02006    | CFB 206A    | CPA02025    |