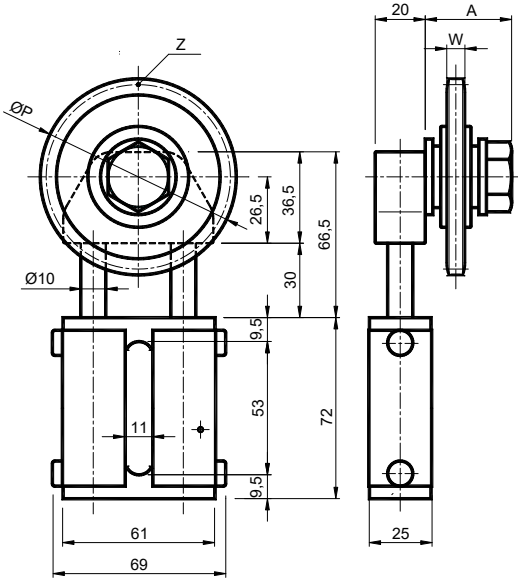




Elastic Elements - Type: **GPNB** / *Elementi Elastici - Tipo:GPNB*

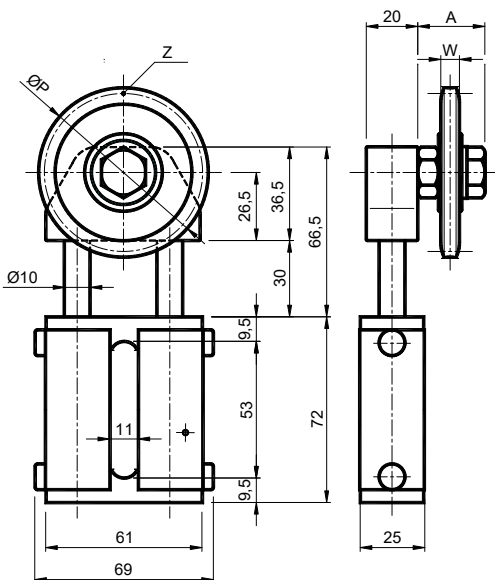


UK MATERIALS Body is made of aluminum. Columns made of steel. Caps, junctions and plate are made of plastic. Crowns, bolts and nuts made of steel.
TREATMENTS Galvanized metallic components.

IT MATERIALI Corpo in alluminio. Colonne in acciaio. Tappi, unioni e piastrina in plastica. Corone e bulloneria in acciaio.
TRATTAMENTI Componenti metallici zincati.

Type Tipo	Cod. N°	Chain Catena ISO	A	ØP	W	Z	Newton max	Weight Peso [kg]
GP10-NB1S	AS011700	06-B1 3/8"x7/32"	34	63,90	5,3	21	158	0,45
GP10-NB2S	AS011701	08-B1 1/2"x5/16"	34	73,14	7,2	18	158	0,55
GP20-NB1S	AS011704	06-B1 3/8"x7/32"	34	63,90	5,3	21	284	0,45
GP20-NB2S	AS011705	08-B1 1/2"x5/16"	34	73,14	7,2	18	284	0,70
GP20-NB3S	AS011706	10-B1 5/8"x3/8"	34	86,39	9,1	17	284	0,70
GP30-NB3S	AS011711	10-B1 5/8"x3/8"	34	86,39	9,1	17	478	0,70

Elastic Elements - Type: **GPKB** / *Elementi Elastici - Tipo:GPKB*



UK MATERIALS Body is made of aluminum. Columns made of steel. Junctions and plate are made of plastic. Crowns, bolts and nuts are made of steel.
TREATMENTS Galvanized metallic components.

IT MATERIALI Corpo in alluminio. Colonne in acciaio. Tappi, unioni e piastrina in plastica. Corone e bulloneria in acciaio.
TRATTAMENTI Componenti metallici zincati.

Type Tipo	Cod. N°	Chain Catena ISO	A	ØP	W	Z	Newton max	Weight Peso [kg]
GP10-KB1S	AS011760	06-B1 3/8"x7/32"	26	45,81	5,3	15	158	0,30
GP10-KB2S	AS011761	08-B1 1/2"x5/16"	26	61,09	7,2	15	158	0,39
GP20-KB1S	AS011764	06-B1 3/8"x7/32"	26	45,81	5,3	15	284	0,30
GP20-KB2S	AS011765	08-B1 1/2"x5/16"	26	61,09	7,2	15	284	0,39
GP20-KB3S	AS011766	10-B1 5/8"x3/8"	35	76,36	9,1	15	284	0,55
GP30-KB3S	AS011771	10-B1 5/8"x3/8"	35	76,36	9,1	15	478	0,55