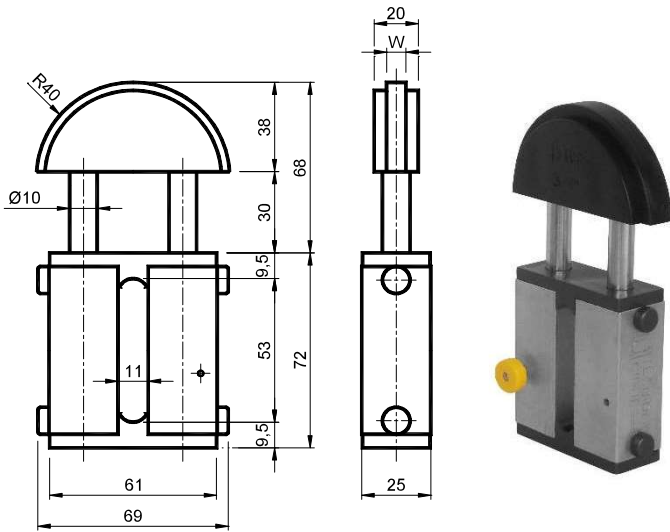




## Elastic Elements - Type: **GV** / Elementi Elastici - Tipo: **GV**

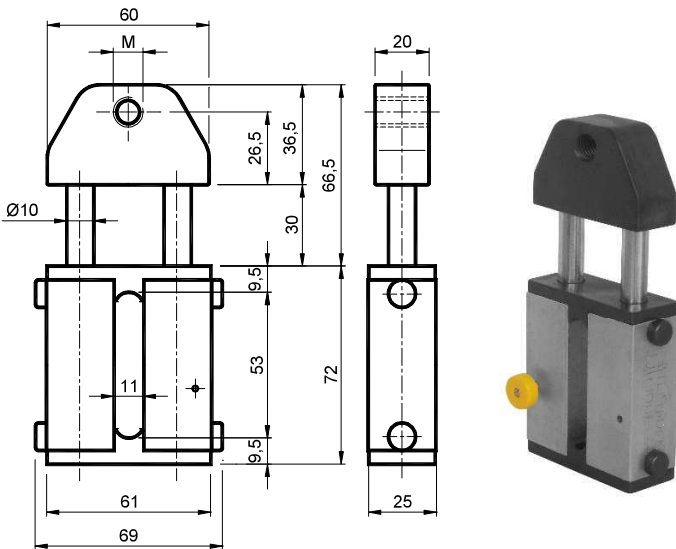


| Type<br>Tipo   | Cod. N°  | Chain<br>Catena        |                          | W   | Newton<br>max | Weight<br>Peso<br>[kg] |
|----------------|----------|------------------------|--------------------------|-----|---------------|------------------------|
| <b>GV10-1S</b> | AS011600 | ISO 06-B1<br>ASA 06-C1 | 3/8"x7/32"<br>3/8"x3/16" | 4,5 | 158           | 0,24                   |
| <b>GV10-2S</b> | AS011605 | ISO 08-B1<br>ASA 08-A1 | 1/2"x5/16"<br>1/2"x5/16" | 7   | 158           | 0,24                   |
| <b>GV20-2S</b> | AS011610 | ISO 08-B1<br>ASA 08-A1 | 1/2"x5/16"<br>1/2"x5/16" | 7   | 284           | 0,24                   |
| <b>GV20-3S</b> | AS011606 | ISO 10-B1<br>ASA 10-A1 | 5/8"x3/8"<br>5/8"x3/8"   | 9   | 284           | 0,24                   |
| <b>GV30-3S</b> | AS011611 | ISO 10-B1<br>ASA 10-A1 | 5/8"x3/8"<br>5/8"x3/8"   | 9   | 478           | 0,24                   |
| <b>GV30-4S</b> | AS011612 | ISO 12-B1<br>ASA 12-A1 | 3/4"x7/16"<br>3/4"x1/2"  | 11  | 478           | 0,24                   |

**UK MATERIALS** Body is made of aluminum. Columns are made of steel. Junctions are made of plastic, sliding block is made of POM-H plastic.  
**TREATMENTS** Galvanized metallic components.

**IT MATERIALI** Corpo in alluminio. Colonne in acciaio. Unioni in plastica. Pattino in plastica POM-H.  
**TRATTAMENTI** Componenti metallici zincati.

## Elastic Elements - Type: **GP** / Elementi Elastici - Tipo: **GP**



| Type<br>Tipo    | Cod. N°  | M   | Newton<br>max | Weight<br>Peso<br>[kg] |
|-----------------|----------|-----|---------------|------------------------|
| <b>GP10</b>     | AS011510 | /   | 158           | 0,24                   |
| <b>GP20</b>     | AS011511 | /   | 284           | 0,24                   |
| <b>GP30</b>     | AS011512 | /   | 478           | 0,24                   |
| <b>GP10-M8</b>  | AS011520 | M8  | 158           | 0,24                   |
| <b>GP20-M8</b>  | AS011521 | M8  | 284           | 0,24                   |
| <b>GP10-M10</b> | AS011525 | M10 | 158           | 0,24                   |
| <b>GP20-M10</b> | AS011526 | M10 | 284           | 0,24                   |
| <b>GP30-M10</b> | AS011527 | M10 | 478           | 0,24                   |
| <b>GP10-M12</b> | AS011530 | M12 | 158           | 0,24                   |
| <b>GP20-M12</b> | AS011531 | M12 | 284           | 0,24                   |
| <b>GP30-M12</b> | AS011532 | M12 | 478           | 0,24                   |
| <b>GP10-M16</b> | AS011535 | M16 | 158           | 0,24                   |
| <b>GP20-M16</b> | AS011536 | M16 | 284           | 0,24                   |
| <b>GP30-M16</b> | AS011537 | M16 | 478           | 0,24                   |

**UK MATERIALS** Body is made of aluminum. Columns are made of steel. Junctions are made of plastic.  
**TREATMENTS** Galvanized metallic components.

**IT MATERIALI** Corpo in alluminio. Colonne in acciaio. Unioni e supporto in plastica.  
**TRATTAMENTI** Componenti metallici zincati.