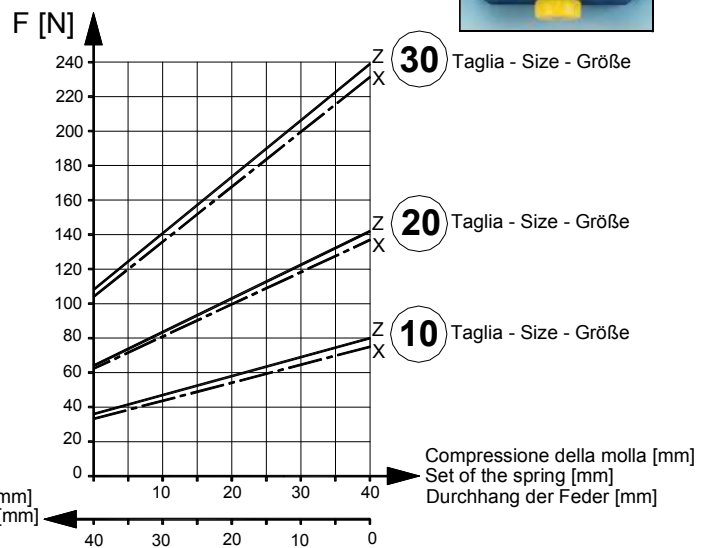
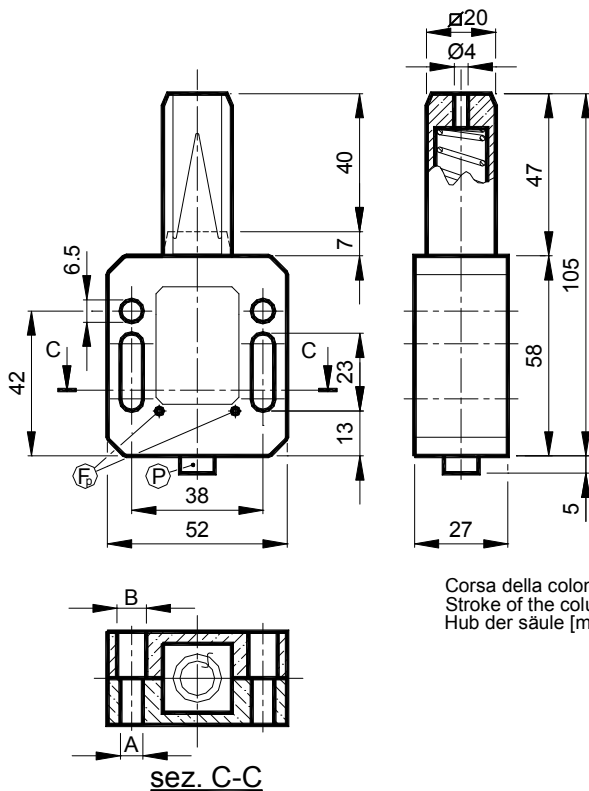


BLU 弹性组件 – 型号 BL-Z: 具镀锌钢制弹簧 – 型号 BL-X: 具不锈钢弹簧

BLU elastic elements - Type BL-Z: with spring in galvanized steel – Type BL-X: with spring in stainless steel

BLU 完全由塑性材料制成，具不锈钢螺钉。内部的弹簧可为镀锌钢或不锈钢材质。最高工作温度为+80°C。所有的主体都配有预加负荷系统。行程为 40 mm。

BLU is completely built in plastic with screws in stainless steel. The inside spring can be in galvanized or stainless steel. The maximum operating temperature is +80°C. All the bodies are supplied with preloading system. The stroke is 40 mm.



**Diagramma di carico
Loading diagram
Ladungsdiagramm**

ⓕ = 预加负荷孔 – Preloading hole

ⓐ = 预加负荷用桩销 – Preloading pin

具镀锌钢制弹簧 With spring in galvanized steel		重量: 0,1 Kg Weight: 0,1 Kg			具不锈钢制弹簧 With spring in stainless steel		重量: 0.1 Kg Weight: 0,1 Kg
型号 Type	编号 N°	A	B	Newton	型号 Type	编号 N°	Newton
BL 10-6 Z	BL010010	6.5	6.5	36-79	BL 10-6 X	BL010110	35-77
BL 10-8 Z	BL010013	8.5	8.5	36-79	BL 10-8 X	BL010113	35-77
BL 10-6/8 Z	BL010016	6.5	8.5	36-79	BL 10-6/8 X	BL010116	35-77
BL 20-6 Z	BL010020	6.5	6.5	64-142	BL 20-6 X	BL010120	63-139
BL 20-8 Z	BL010023	8.5	8.5	64-142	BL 20-8 X	BL010123	63-139
BL 20-6/8 Z	BL010026	6.5	8.5	64-142	BL 20-6/8 X	BL010126	63-139
BL 30-6 Z	BL010030	6.5	6.5	108-239	BL 30-6 X	BL010130	105-233
BL 30-8 Z	BL010033	8.5	8.5	108-239	BL 30-8 X	BL010133	105-233
BL 30-6/8 Z	BL010036	6.5	8.5	108-239	BL 30-6/8 X	BL010136	105-233