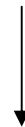
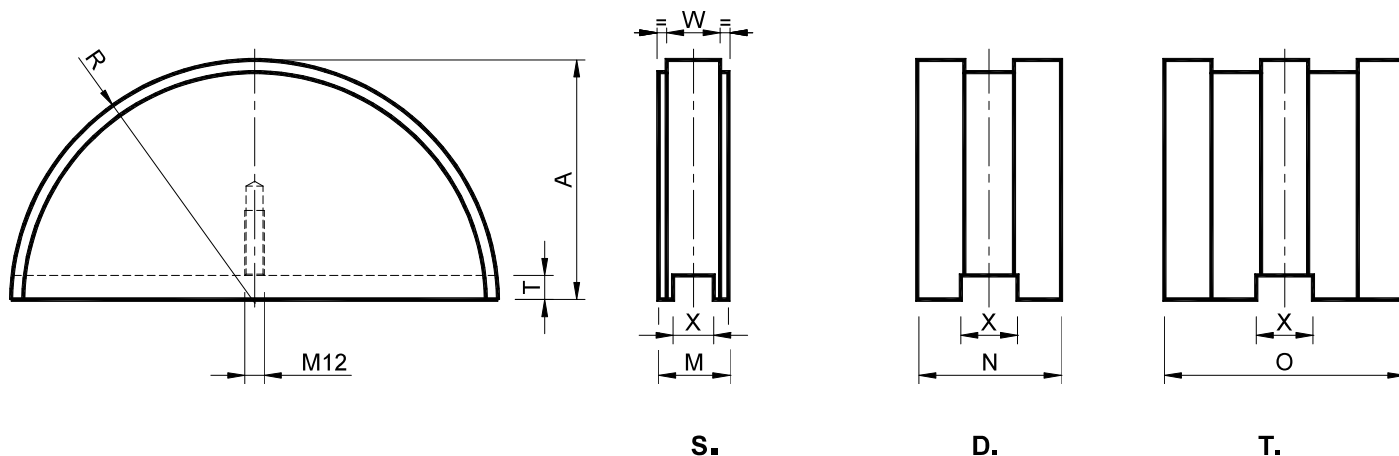


**Tabella di scelta KIT / KIT selection table**

Catena - Chain (DIN 8187)		Tipo - Type		Taglia - Size	Tipo - Type		Larghezza max. cinghia [mm] Max belt width [mm]
ISO	Passo Pitch	2V 	2RR 		2RAU 	2RAP 	
				Pag. 43 46 47	Pag.57	Pag.57	
16-B1	1" x 17.02mm	2V 40-5 S	2RR 40-5 S	40	2RAU 4	2RAP 4	55
16-B1	1" x 17.02mm	2V 40-5 S	2RR 50-5 S	50			
20-B1	1"1/4 x 3/4"	2V 50-6 S	2RR 50-6 S	50	2RAU 5	2RAP 5	85
20-B1	1"1/4 x 3/4"	2V 60-6 S	2RR 60-6 S	60	2RAU 5	2RAP 5	85
24-B1	1"1/2 x 1"	2V 60-7 S	2RR 60-7 S	60	2RAU 6	2RAP 6	130
24-B1	1"1/2 x 1"	2V 70-7 S	2RR 70-7 S	70	2RAU 6	2RAP 6	130
28-B1	1"3/4 x 1"1/4	2V 60-8 S	2RR 60-8 S	60			
28-B1	1"3/4 x 1"1/4	2V 70-8 S	2RR 70-8 S	70			
32-B1	2" x 1"1/4	2V 70-9 S	2RR 70-9 S	70			
32-B1	2" x 1"1/4	2V 80-9 S	2RR 80-9 S	80			
16-B2	1" x 17.02mm	2V 50-5 D	2RR 50-5 D	50			
16-B2	1" x 17.02mm	2V 60-5 D	2RR 60-5 D	60			
20-B2	1"1/4 x 3/4"	2V 60-6 D	2RR 60-6 D	60			
20-B2	1"1/4 x 3/4"	2V 70-6 D	2RR 70-7 D	70			
24-B2	1"1/2 x 1"	2V 70-7 D	2RR 70-7 D	70			
24-B2	1"1/2 x 1"	2V 80-7 D	2RR 80-7 D	80			
28-B2	1"3/4 x 1"1/4	2V 80-8 D	2RR 80-8 D	80			
28-B2	1"3/4 x 1"1/4	2V 90-8 D	2RR 90-8 D	90			
32-B2	2" x 1"1/4	2V 90-9 D	2RR 70-9 D	90			
16-B3	1" x 17.02mm	2V 60-5 T		60			
16-B3	1" x 17.02mm	2V 70-5 T		70			
20-B3	1"1/4 x 3/4"	2V 70-6 T		70			
20-B3	1"1/4 x 3/4"	2V 80-6 T		80			
24-B3	1"1/2 x 1"	2V 90-7 T		90			



**KIT per tendicatena / KIT for chain tensioners**  
Pattino in polietilene – Tipo: 2V / Polyethylene sliding block – Type: 2V



**MATERIALI** Pattino in polietilene ad alta densità molecolare.

**IMPIEGO** Profilo semicircolare ad ampio raggio, indicato per grandi interassi o per rinvii a 180° in trasportatori a catena.  
Velocità di lavoro ≤20 m/min.  
Temperatura di lavoro ≤70°C.

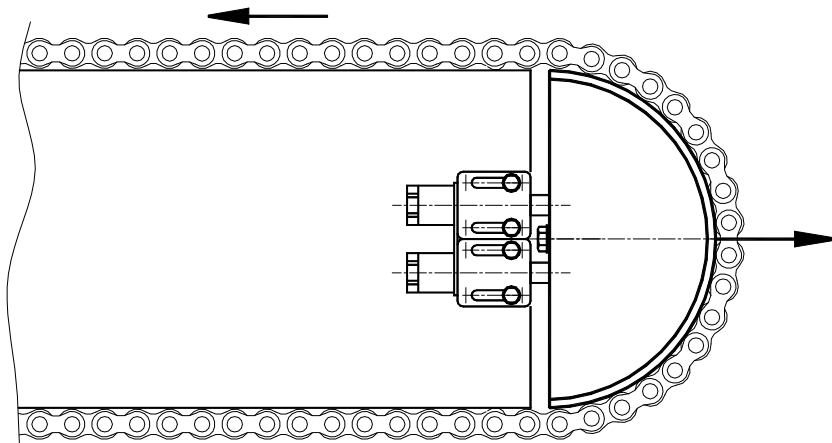
**MATERIALS** Sliding block made of polyethylene, high molecular density.

**USE** Semicircular profile wide-ranging indicated for large distances or for returns to 180° in chain conveyors.  
Operating speed ≤20 m/min.  
Operating temperature ≤70°C.



Tipo Type	S Cod. N°	D Cod. N°	T Cod. N°	Catena Chain	R	W	A	M	N	O	T	X	Peso Weight in kg		
													S.	D.	T.
2V 5	TB001900	TB001920	TB001940	1" x 17.02mm	100	16	98	30	47	79	15	25	0.37	0.70	1.18
2V 6	TB001902	TB001922	TB001942	1"1/4 x 3/4"	100	18	98	30	54	91	15	25	0.37	0.80	1.35
2V 7	TB001904	TB001924	TB001944	1"1/2 x 1"	100	24	98	30	72	120	15	25	0.44	1.06	1.76
2V 8	TB001906	TB001926		1"3/4 x 1"1/4	150	29	148	35	88	/	15	25	1.05	2.64	
2V 9	TB001908	TB001928		2" x 1"1/4	150	29	148	35	87	/	15	25	1.05	2.64	

Esempio di applicazione / Application example



Il Kit 2V può essere utilizzato come rinvio a 180° in un trasportatore a catena.

The kit 2V can be used for return at 180° in a chain conveyor.