

Tabella di scelta KIT / KIT selection table

Catena - Chain (DIN 8187)		Tipo - Type				Taglia - Size	Tipo - Type		Larghezza max. cinghia [mm] Max belt width [mm]
ISO	Passo Pitch	V  Pag.49	L  Pag.50	RF  Pag.51	RR  Pag.52		RAU  Pag.53	RAP  Pag.53	
05-B1	8 mm	V10-0 S	L10-0 S	RF10-0 S	/	10			
06-B1	3/8" x 7/32"	V10-1 S	L10-1 S	RF10-1 S	RR10-1 S	10	RAU 1	RAP 1	30
06-B1	3/8" x 7/32"	V20-1 S	L20-1 S	RF20-1 S	RR20-1 S	20	RAU 1	RAP 1	30
08-B1	1/2" x 5/16"	V20-2 S	L20-2 S	RF20-2 S	RR20-2 S	20			
08-B1	1/2" x 5/16"	V30-2 S	L30-2 S	RF30-2 S	RR30-2 S	30	RAU 2/3	RAP 2/3	40
10-B1	5/8" x 3/8"	V30-3 S	L30-3 S	RF30-3 S	RR30-3 S	30			
10-B1	5/8" x 3/8"	V40-3 S	L40-3 S	RF40-3 S	RR40-3 S	40	RAU 2/3	RAP 2/3	40
12-B1	3/4" x 7/16"	V40-4 S	L40-4 S	RF40-4 S	RR40-4 S	40			
12-B1	3/4" x 7/16"	V50-4 S	L50-4 S	RF50-4 S	RR50-4 S	50			
16-B1	1" x 17.02mm	V50-5 S	L50-5 S	RF50-5 S	RR50-5 S	50	RAU 4-10	RAP 4-10	55
16-B1	1" x 17.02mm	V60-5 S	L60-5 S	RF60-5 S	RR60-5 S	60	RAU 4-10	RAP 4-10	55
20-B1	1"1/4 x 3/4"	V60-6 S	L60-6 S	RF60-6 S	/	60			
20-B1	1"1/4 x 3/4"	V70-6 S	L70-6 S	RF70-6 S	/	70	RAU 5-10	RAP 5-10	85
24-B1	1"1/2 x 1"	V70-7 S	L70-7 S	RF70-7 S	/	70			
24-B1	1"1/2 x 1"	V80-7 S	L80-7 S	RF80-7 S	/	80	RAU 6-10	RAP 6-10	130
05-B2	8 mm	V20-0 D	L20-0 D	RF20-0 D	/	20			
06-B2	3/8" x 7/32"	V20-1 D	L20-1 D	RF20-1 D	RR20-1 D	20			
06-B2	3/8" x 7/32"	V30-1 D	L30-1 D	RF30-1 D	RR30-1 D	30			
08-B2	1/2" x 5/16"	V40-2 D	L40-2 D	RF40-2 D	RR40-2 D	40			
10-B2	5/8" x 3/8"	V40-3 D	L40-3 D	RF40-3 D	RR40-3 D	40			
10-B2	5/8" x 3/8"	V50-3 D	L50-3 D	RF50-3 D	RR50-3 D	50			
12-B2	3/4" x 7/16"	V50-4 D	L50-4 D	RF50-4 D	RR50-4 D	50			
12-B2	3/4" x 7/16"	V60-4 D	L60-4 D	RF60-4 D	RR60-4 D	60			
16-B2	1" x 17.02mm	V70-5 D	L70-5 D	RF70-5 D	RR70-5 D	70			
06-B3	3/8" x 7/32"	V30-1 T	L30-1 T	RF30-1 T	/	30			
06-B3	3/8" x 7/32"	V40-1 T	L40-1 T	RF40-1 T	/	40			
08-B3	1/2" x 5/16"	V40-2 T	L40-2 T	RF40-2 T	/	40			
08-B3	1/2" x 5/16"	V50-2 T	L50-2 T	RF50-2 T	/	50			
10-B3	5/8" x 3/8"	V50-3 T	L50-3 T	RF50-3 T	/	50			
10-B3	5/8" x 3/8"	V60-3 T	L60-3 T	RF60-3 T	/	60			
12-B3	3/4" x 7/16"	V60-4 T	L60-4 T	RF60-4 T	/	60			
12-B3	3/4" x 7/16"	V70-4 T	L70-4 T	RF70-4 T	/	70			
16-B3	1" x 17.02mm	V70-5 T	L70-5 T	/	/	70			
16-B3	1" x 17.02mm	V80-5 T	L80-5 T	/	/	80			

KIT per tendicinghia / KIT for belt-tensioners

Rullo in acciaio su forcella – Tipo: **RAU** / Rullo in poliammide su forcella – Tipo: **RAP**
 Roller set in steel on fork – Type: **RAU** / Roller set in polyamide on fork – Type: **RAP**



RAU



RAP

MATERIALI RAU: Forcella, cuscinetti, perno, distanziali e rullo in acciaio.
RAP: Forcella, cuscinetti, perno e distanziali in acciaio, rullo in poliammide PA6+MoS.

TRATTAMENTI RAU: Forcella verniciata a forno, particolari metallici in acciaio zincato.
RAP: Forcella verniciata a forno, particolari metallici in acciaio zincato, rullo tornito 1.6.

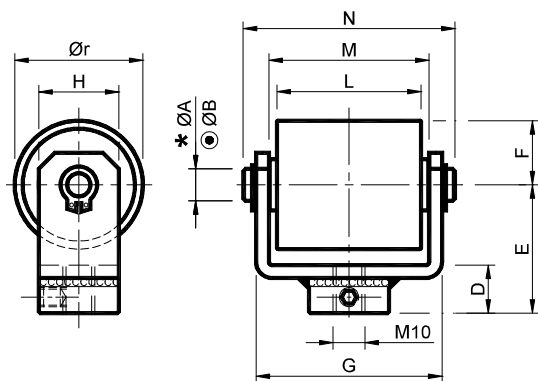
IMPIEGO Rullo con cuscinetti ZZ lubrificati.

MATERIALS RAU: Fork, bearings, pin, spacers, roller made of steel.
RAP: Fork, bearings, pin, spacers made of steel, roller made of polyamide PA6+MoS.

TREATMENTS RAU: Fork oven painted, metallic components made of galvanized steel.
RAP: Fork oven painted, metallic components made of galvanized steel, the roller is turned 1.6.

USE Roller with ZZ greased bearings.

* $\varnothing A$: Per rullo in acciaio / For roller made of steel
 $\varnothing B$: Per rullo in poliammide / For roller made of polyamide



Rullo in acciaio Roller set in steel													Rullo in poliammide Roller set in polyamide			
Tipo Type	Cod. N°	* $\varnothing A$	$\varnothing B$	D	E	F	G	H	L	M	N	$\varnothing r$	Tipo Type	Cod. N°	Peso Weight in kg	
															RAU	RAP
RAU 1	AR070902	8	8	15	35	15	51	20	35	43	60	30	RAP 1	AR070886	0.24	0.16
RAU 2/3	AR070904	10	10	15	40	20	58	25	45	50	68	40	RAP 2/3	AR070888	0.46	0.29
RAU 4-10	TB002022	16	12	15	50	30	75	35	60	65	85	60	RAP 4-10	TB002032	1.16	0.65
RAU 5-10	TB002023	20	20	20	65	40	111	45	90	95	121.5	80	RAP 5-10	TB002033	2.98	1.70
RAU 6-10	TB002024	20	20	20	70	45	156	45	135	140	167	90	RAP 6-10	TB002034	5.80	2.49

Campo di lavoro Working field				Campo di lavoro Working field			
Tipo Type	Ø Rullo Roller	Numero di giri max Max rpm	Cuscinetto Bearing	Tipo Type	Ø Rullo Roller	Numero di giri max Max rpm	Cuscinetto Bearing
RAU 1	30	15000	608	RAP 1	30	8000	608
RAU 2/3	40	12000	6200	RAP 2/3	40	8000	6200
RAU 4-10	60	9500	6304	RAP 4-10	60	6000	6301
RAU 5-10	80	6500	6306	RAP 5-10	80	5000	6304
RAU 6-10	90	6500	6306	RAP 6-10	90	4500	6304

Il numero di giri descritto in tabella è indicativo. L'applicazione va valutata in base al tipo d'impiego, il fattore di servizio e le condizioni di lavoro.
 The rpm indicated in the chart is approximate. The application must be considered according to the type of use, the service factor and the working conditions.