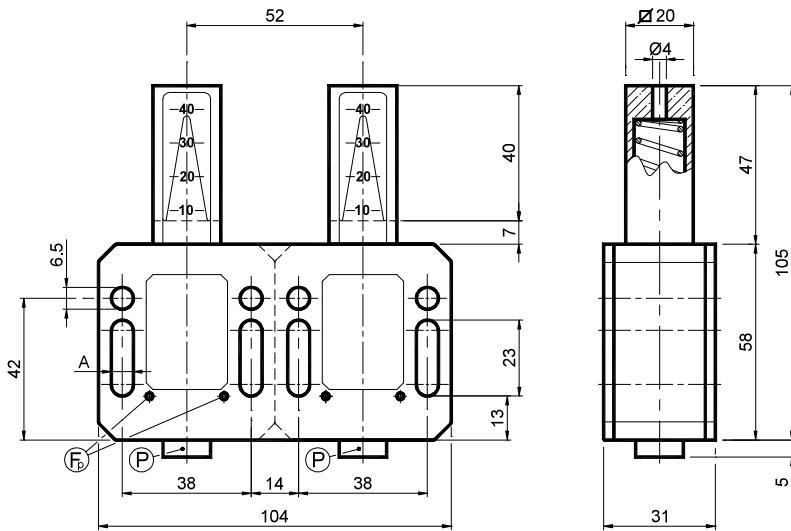


Elastic Elements – Type: **BD-Z**: with galvanized springs / Type: **BD-X**: with stainless steel springs
 Elementi elastici – Tipo: **BD-Z**: con molle in acciaio zincato / Tipo: **BD-X**: con molle in acciaio inox

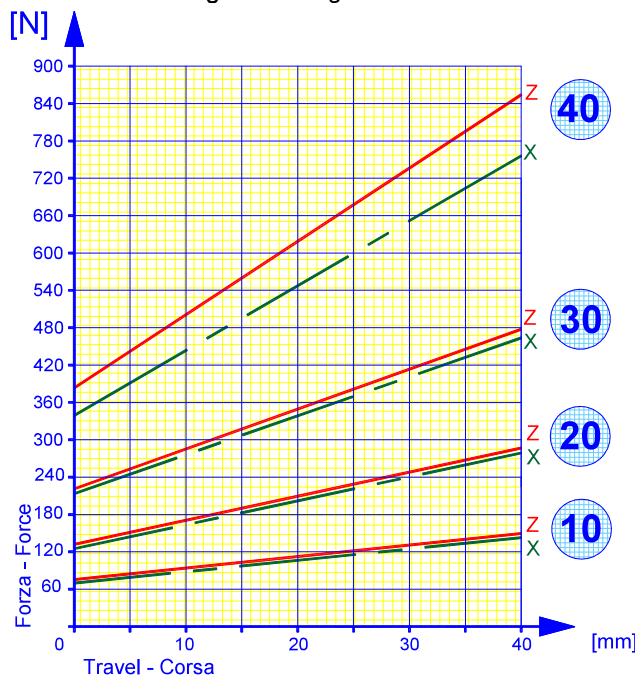


MATERIALS Body and column are made of plastic. Plates and screws in stainless steel.
TREATMENTS Spring can be in galvanized or stainless steel.
USE Maximum operating temperature +80°C. The travel is 40 mm.

MATERIALI Corpo e colonna in plastica. Piastre e bulloneria in acciaio inox.
TRATTAMENTI Le molle all'interno possono essere in acciaio zincato oppure in acciaio inox.
IMPIEGO Temperatura di lavoro massima +80°C. La corsa è 40mm.

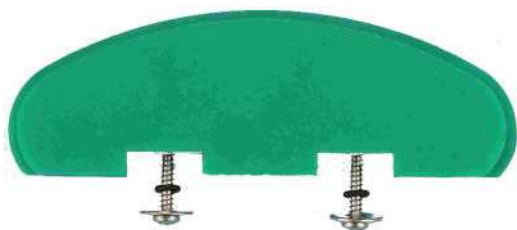
F_p = Preloading hole / Foro precarica
P = Preloading pin / Piolo per precarica

Load diagram / Diagramma di carico



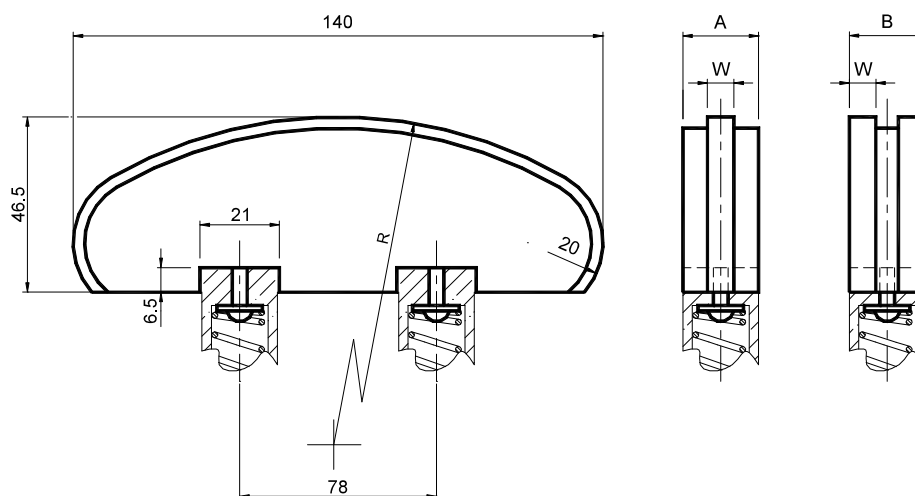
Z Galvanized steel springs Molle in acciaio zincato		Weight 0,36 [kg] Peso 0,36 [kg]		X Stainless steel springs Molle in acciaio inox		Weight 0,36 [kg] Peso 0,36 [kg]	
Type Tipo	Cod. N°	A	Newton	Type Tipo	Cod. N°	Newton	
BD 10-6 Z	BL010310	6,5	72-158	BD 10-6 X	BL010410	70-154	
BD 10-8 Z	BL010313	8,5	72-158	BD 10-8 X	BL010413	70-154	
BD 20-6 Z	BL010320	6,5	128-284	BD 20-6 X	BL010420	126-278	
BD 20-8 Z	BL010323	8,5	128-284	BD 20-8 X	BL010423	126-278	
BD 30-6 Z	BL010330	6,5	216-478	BD 30-6 X	BL010430	210-466	
BD 30-8 Z	BL010333	8,5	216-478	BD 30-8 X	BL010433	210-466	
BD 40-6 Z	BL010340	6,5	388-859	BD 30-6 X	BL010440	342-760	
BD 40-8 Z	BL010343	8,5	388-859	BD 40-8 X	BL010443	342-760	

Polyethylene sliding block – Type: **VG / Pattino in polietilene – Tipo: VG**



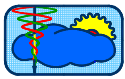
UK MATERIALS High molecular density polyethylene.
USE Semicircular profile suggested for large center distances.
 Operating speed ≤ 20 m/min.
 Operating temperature $\leq 70^{\circ}\text{C}$.

IT MATERIALI Polietilene ad alta densità molecolare
IMPIEGO Profilo semicircolare indicato per grandi interassi.
 Velocità di lavoro ≤ 20 m/min.
 Temperatura di lavoro $\leq 70^{\circ}\text{C}$.

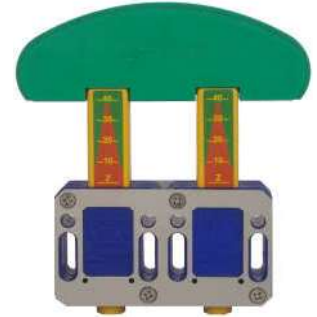
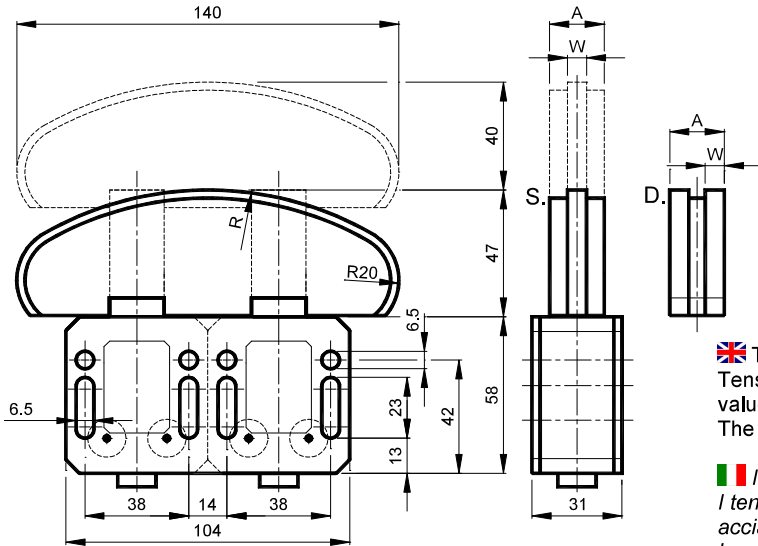


Type Tipo	S Cod. N°	D Cod. N°	Chain Catena	Size Taglia	R	A	B	W	Weight Peso in [kg]	
									S.	D.
VG 10-1	BL010502	BL010522	06-B1	10	120	20	20	5	0,08	0,08
VG 20-1	BL010502	BL010522	06-B1	20	120	20	20	5	0,08	0,08
VG 20-2	BL010504	BL010524	08-B1	20	120	20	20	7	0,08	0,08
VG 20-3	BL010506	BL010526	10-B1	20	140	20	25	9	0,10	0,12
VG 30-3	BL010506	BL010526	10-B1	30	140	20	25	9	0,10	0,12
VG 30-4	BL010508	BL010528	12-B1	30	140	20	30	11	0,12	0,25
VG 40-4	BL010508	BL010528	12-B1	40	140	20	30	11	0,12	0,25
VG 30-5	BL010510	BL010530	16-B1	30	160	25	48	16	0,20	0,50
VG 40-5	BL010510	BL010530	16-B1	40	160	25	48	16	0,20	0,50
VG 30-6	BL010512	BL010532	20-B1	30	160	25	55	18	0,20	1,30
VG 40-6	BL010512	BL010532	20-B1	40	160	25	55	18	0,20	1,30
VG 30-7	BL010514	BL010534	24-B1	30	160	30	70	24	0,35	1,40
VG 40-7	BL010514	BL010534	24-B1	40	160	30	70	24	0,35	1,40

Sliding block for triple chain are provided on request only / Pattini per catena tripla si forniscono solo su richiesta



Type: **BD6ZVG – BD6XVG** / Tipo: **BD6ZVG – BD6XVG**



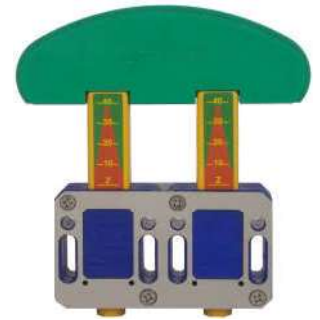
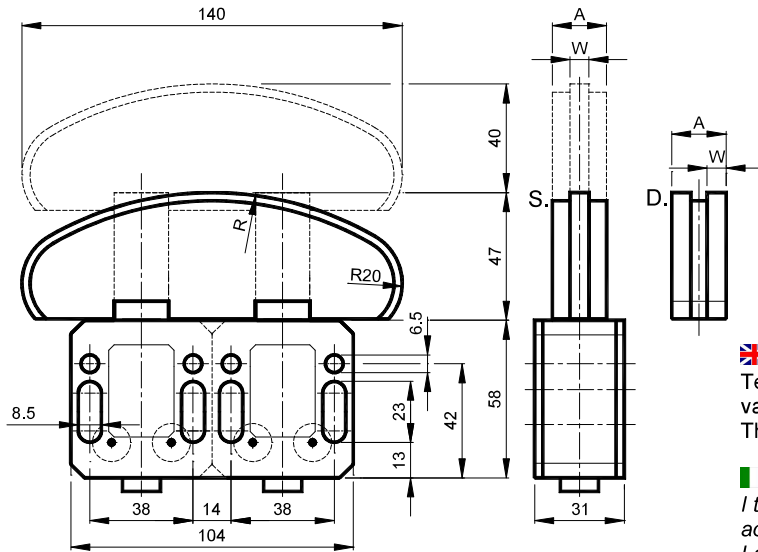
Tensioners are made by BD6 elastic element and VG head. Tensioners BD6VG are available with galvanized or stainless steel springs; load values are indicated on pag. I-30. The travel is 40 mm.


I tenditori sono composti dall'elemento elastico BD6 e la testa VG. I tenditori BD6VG sono disponibili con molle in acciaio zincato o con molle in acciaio inox; i valori di carico sono riportati a pag. I-30. La corsa è di 40 mm.


		Zinc plated springs / Molle zincate				Stainless steel springs / Molle inox					
Chain Catena DIN 8187 ISO Pitch		BD6Z+VG	BD6Z		← VG →				BD6X		BD6X+VG
						A	W				
06-B1	3/8"x7/32"	BD106ZVG1S	BD 10-6 Z	BL010310	VG 1 S	BL010502	20	5	BD 10-6 X	BL010410	BD106XVG1S
06-B1	3/8"x7/32"	BD206ZVG1S	BD 20-6 Z	BL010320	VG 1 S	BL010502	20	5	BD 20-6 X	BL010420	BD206XVG1S
08-B1	1/2"x5/16"	BD106ZVG2S	BD 10-6 Z	BL010310	VG 2 S	BL010504	20	7	BD 10-6 X	BL010410	BD106XVG2S
08-B1	1/2"x5/16"	BD206ZVG2S	BD 20-6 Z	BL010320	VG 2 S	BL010504	20	7	BD 20-6 X	BL010420	BD206XVG2S
10-B1	5/8"x3/8"	BD206ZVG3S	BD 20-6 Z	BL010320	VG 3 S	BL010506	20	9	BD 20-6 X	BL010420	BD206XVG3S
10-B1	5/8"x3/8"	BD306ZVG3S	BD 30-6 Z	BL010330	VG 3 S	BL010506	20	9	BD 30-6 X	BL010430	BD306XVG3S
12-B1	3/4"x7/16"	BD206ZVG4S	BD 20-6 Z	BL010320	VG 4 S	BL010508	20	11	BD 20-6 X	BL010420	BD206XVG4S
12-B1	3/4"x7/16"	BD306ZVG4S	BD 30-6 Z	BL010330	VG 4 S	BL010508	20	11	BD 30-6 X	BL010430	BD306XVG4S
16-B1	1"x17.02mm	BD306ZVG5S	BD 30-6 Z	BL010330	VG 5 S	BL010510	25	16	BD 30-6 X	BL010430	BD306XVG5S
16-B1	1"x17.02mm	BD406ZVG5S	BD 40-6 Z	BL010340	VG 5 S	BL010510	25	16	BD 40-6 X	BL010440	BD406XVG5S
20-B1	1"1/4x3/4"	BD306ZVG6S	BD 30-6 Z	BL010330	VG 6 S	BL010512	25	18	BD 30-6 X	BL010430	BD306XVG6S
20-B1	1"1/4x3/4"	BD406ZVG6S	BD 40-6 Z	BL010340	VG 6 S	BL010512	25	18	BD 40-6 X	BL010440	BD406XVG6S
24-B1	1"1/2x1"	BD306ZVG7S	BD 30-6 Z	BL010330	VG 7 S	BL010514	30	24	BD 30-6 X	BL010430	BD306XVG7S
24-B1	1"1/2x1"	BD406ZVG7S	BD 40-6 Z	BL010340	VG 7 S	BL010514	30	24	BD 40-6 X	BL010440	BD406XVG7S
06-B2	3/8"x7/32"	BD106ZVG1D	BD 10-6 Z	BL010310	VG 1 D	BL010522	20	5	BD 10-6 X	BL010410	BD106XVG1D
06-B2	3/8"x7/32"	BD206ZVG1D	BD 20-6 Z	BL010320	VG 1 D	BL010522	20	5	BD 20-6 X	BL010420	BD206XVG1D
08-B2	1/2"x5/16"	BD206ZVG2D	BD 20-6 Z	BL010320	VG 2 D	BL010524	20	7	BD 20-6 X	BL010420	BD206XVG2D
10-B2	5/8"x3/8"	BD206ZVG3D	BD 20-6 Z	BL010320	VG 3 D	BL010526	25	9	BD 20-6 X	BL010420	BD206XVG3D
10-B2	5/8"x3/8"	BD306ZVG3D	BD 30-6 Z	BL010330	VG 3 D	BL010526	25	9	BD 30-6 X	BL010430	BD306XVG3D
12-B2	3/4"x7/16"	BD306ZVG4D	BD 30-6 Z	BL010330	VG 4 D	BL010528	30	11	BD 30-6 X	BL010430	BD306XVG4D
16-B2	1"x17.02mm	BD306ZVG5D	BD 30-6 Z	BL010330	VG 5 D	BL010530	48	16	BD 30-6 X	BL010430	BD306XVG5D
16-B2	1"x17.02mm	BD406ZVG5D	BD 40-6 Z	BL010340	VG 5 D	BL010530	48	16	BD 40-6 X	BL010440	BD406XVG5D
20-B2	1"1/4x3/4"	BD306ZVG6D	BD 30-6 Z	BL010330	VG 6 D	BL010532	55	18	BD 30-6 X	BL010430	BD306XVG6D
20-B2	1"1/4x3/4"	BD406ZVG6D	BD 40-6 Z	BL010340	VG 6 D	BL010532	55	18	BD 40-6 X	BL010440	BD406XVG6D
24-B2	1"1/2x1"	BD306ZVG7D	BD 30-6 Z	BL010330	VG 7 D	BL010534	70	24	BD 30-6 X	BL010430	BD306XVG7D
24-B2	1"1/2x1"	BD406ZVG7D	BD 40-6 Z	BL010340	VG 7 D	BL010534	70	24	BD 40-6 X	BL010440	BD406XVG7D

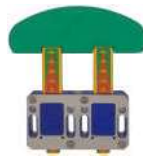


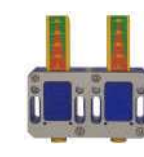
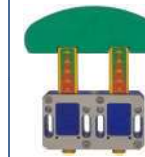
Tensioners for triple chain are provided on request only / I tenditori per catena tripla si forniscono solo su richiesta.

Type: **BD8ZVG – BD8XVG / Tipo: BD8ZVG – BD8XVG**



 Tensioners are made by BD8 elastic element and VG head. Tensioners BD8VG are available with galvanized or stainless steel springs; load values are indicated on pag. I-30. The travel is 40 mm.

 I tenditori sono composti dall'elemento elastico BD8 e la testa VG. I tenditori BD8VG sono disponibili con molle in acciaio zincato o con molle in acciaio inox; i valori di carico sono riportati a pag. I-30. La corsa è di 40 mm.

		Zinc plated springs / Molle zincate				Stainless steel springs / Molle inox					
		BD8Z+VG	BD8Z	VG				BD8X	BD8X+VG		
Chain Catena DIN 8187 ISO Pitch					A	W					
06-B1	3/8"x7/32"	BD108ZVG1S	BD 10-8 Z	BL010313	VG 1 S	BL010502	20	5	BD 10-8 X	BL010413	BD106XVG1S
06-B1	3/8"x7/32"	BD208ZVG1S	BD 20-8 Z	BL010323	VG 1 S	BL010502	20	5	BD 20-8 X	BL010423	BD206XVG1S
08-B1	1/2"x5/16"	BD108ZVG2S	BD 10-8 Z	BL010313	VG 2 S	BL010504	20	7	BD 10-8 X	BL010413	BD106XVG2S
08-B1	1/2"x5/16"	BD208ZVG2S	BD 20-8 Z	BL010323	VG 2 S	BL010504	20	7	BD 20-8 X	BL010423	BD206XVG2S
10-B1	5/8"x3/8"	BD208ZVG3S	BD 20-8 Z	BL010323	VG 3 S	BL010506	20	9	BD 20-8 X	BL010423	BD206XVG3S
10-B1	5/8"x3/8"	BD308ZVG3S	BD 30-8 Z	BL010333	VG 3 S	BL010506	20	9	BD 30-8 X	BL010433	BD306XVG3S
12-B1	3/4"x7/16"	BD208ZVG4S	BD 20-8 Z	BL010323	VG 4 S	BL010508	20	11	BD 20-8 X	BL010423	BD206XVG4S
12-B1	3/4"x7/16"	BD308ZVG4S	BD 30-8 Z	BL010333	VG 4 S	BL010508	20	11	BD 30-8 X	BL010433	BD306XVG4S
16-B1	1"x17.02mm	BD308ZVG5S	BD 30-8 Z	BL010333	VG 5 S	BL010510	25	16	BD 30-8 X	BL010433	BD306XVG5S
16-B1	1"x17.02mm	BD408ZVG5S	BD 40-8 Z	BL010343	VG 5 S	BL010510	25	16	BD 40-8 X	BL010443	BD406XVG5S
20-B1	1"1/4x3/4"	BD308ZVG6S	BD 30-8 Z	BL010333	VG 6 S	BL010512	25	18	BD 30-8 X	BL010433	BD306XVG6S
20-B1	1"1/4x3/4"	BD408ZVG6S	BD 40-8 Z	BL010343	VG 6 S	BL010512	25	18	BD 40-8 X	BL010443	BD406XVG6S
24-B1	1"1/2x1"	BD308ZVG7S	BD 30-8 Z	BL010333	VG 7 S	BL010514	30	24	BD 30-8 X	BL010433	BD306XVG7S
24-B1	1"1/2x1"	BD408ZVG7S	BD 40-8 Z	BL010343	VG 7 S	BL010514	30	24	BD 40-8 X	BL010443	BD406XVG7S
06-B2	3/8"x7/32"	BD108ZVG1D	BD 10-8 Z	BL010313	VG 1 D	BL010522	20	5	BD 10-8 X	BL010413	BD106XVG1D
06-B2	3/8"x7/32"	BD208ZVG1D	BD 20-8 Z	BL010323	VG 1 D	BL010522	20	5	BD 20-8 X	BL010423	BD206XVG1D
08-B2	1/2"x5/16"	BD208ZVG2D	BD 20-8 Z	BL010323	VG 2 D	BL010524	20	7	BD 20-8 X	BL010423	BD206XVG2D
10-B2	5/8"x3/8"	BD208ZVG3D	BD 20-8 Z	BL010323	VG 3 D	BL010526	25	9	BD 20-8 X	BL010423	BD206XVG3D
10-B2	5/8"x3/8"	BD308ZVG3D	BD 30-8 Z	BL010333	VG 3 D	BL010526	25	9	BD 30-8 X	BL010433	BD306XVG3D
12-B2	3/4"x7/16"	BD308ZVG4D	BD 30-8 Z	BL010333	VG 4 D	BL010528	30	11	BD 30-8 X	BL010433	BD306XVG4D
16-B2	1"x17.02mm	BD308ZVG5D	BD 30-8 Z	BL010333	VG 5 D	BL010530	48	16	BD 30-8 X	BL010433	BD306XVG5D
16-B2	1"x17.02mm	BD408ZVG5D	BD 40-8 Z	BL010343	VG 5 D	BL010530	48	16	BD 40-8 X	BL010443	BD406XVG5D
20-B2	1"1/4x3/4"	BD308ZVG6D	BD 30-8 Z	BL010333	VG 6 D	BL010532	55	18	BD 30-8 X	BL010433	BD306XVG6D
20-B2	1"1/4x3/4"	BD408ZVG6D	BD 40-8 Z	BL010343	VG 6 D	BL010532	55	18	BD 40-8 X	BL010443	BD406XVG6D
24-B2	1"1/2x1"	BD308ZVG7D	BD 30-8 Z	BL010333	VG 7 D	BL010534	70	24	BD 30-8 X	BL010433	BD306XVG7D
24-B2	1"1/2x1"	BD408ZVG7D	BD 40-8 Z	BL010343	VG 7 D	BL010534	70	24	BD 40-8X	BL010443	BD406XVG7D

Tensioners for triple chain are provided on request only / I tenditori per catena tripla si forniscono solo su richiesta.