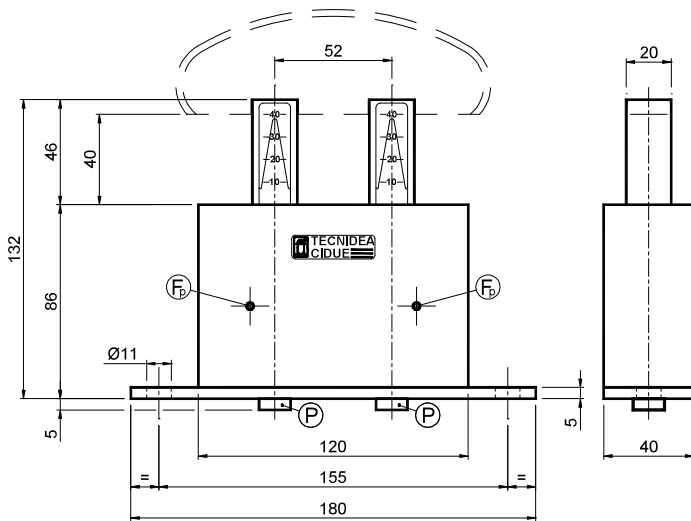


Elastic Elements – Type: **BB-Z** with galvanized steel springs / Type: **BB-X** with stainless steel springs
 Elementi elastici – Tipo: **BB-Z** con molle in acciaio zincato / Tipo: **BB-X** con molle in acciaio inox



MATERIALS The external box is made of painted steel. The internal components are made by plastic. The bolts are in stainless steel. The inner springs can be in galvanized (BB-Z) or in stainless steel (BB-X).

USE Elastic chain-tensioner. All the articles are supplied with a preloading system. The maximum operating temperature is +80°C. The travel is 40 mm.

MATERIALI Il corpo esterno è in acciaio verniciato. I componenti interni sono in materiale plastico. Viteria in acciaio inox. Le molle all'interno sono in acciaio zincato (BB-Z) oppure in acciaio inox (BB-X).

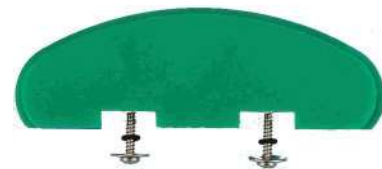
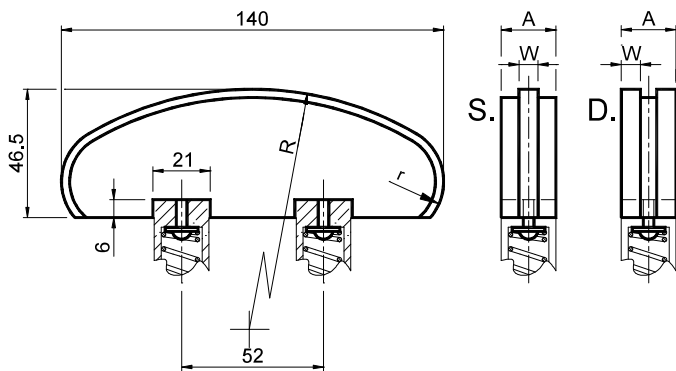
IMPIEGO Elemento elastico per tendicatena. Tutti gli articoli vengono forniti con sistema di precarica. La temperatura massima di lavoro è +80°C. La corsa è di 40 mm.

(F_p) = Preloading hole / Foro precarica
 (P) = Preloading pin / Piolo per precarica

Type Tipo	Cod. N°	Newton	Type Tipo	Cod. N°	Newton	Weight Peso in [kg]
BB 10 Z	BL010620	72 ÷ 158	BB 10 X	BL011630	70 ÷ 154	1,25
BB 20 Z	BL010622	128 ÷ 284	BB 20 X	BL011632	126 ÷ 278	1,25
BB 30 Z	BL010624	216 ÷ 478	BB 30 X	BL011634	210 ÷ 466	1,25
BB 40 Z	BL010626	388 ÷ 860	BB 40 X	BL011636	342 ÷ 760	1,25

KIT for chain / KIT per catena

Pattino in polietilene – Tipo: **VG** / Polyethylene sliding block – Type: **VG**



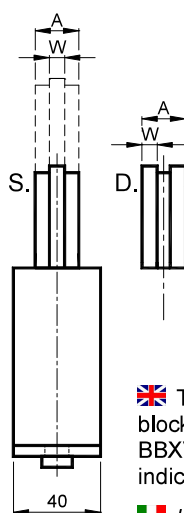
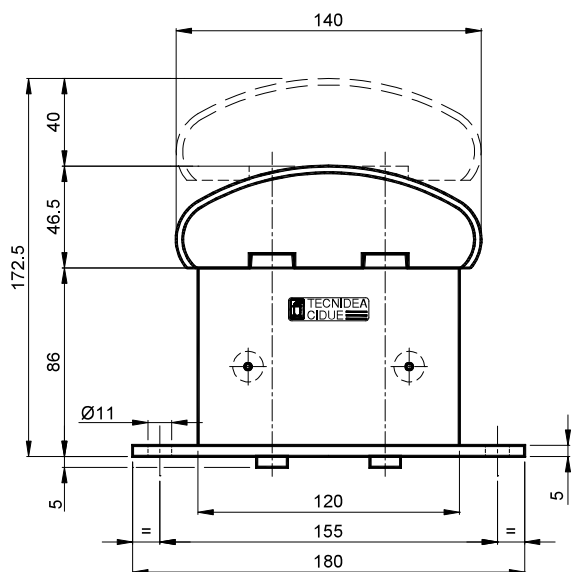
MATERIALS High molecular density polyethylene.
USE Semi-circular lowered profile suggested for large distance between centres.

Operating speed ≤ 20 m/min.
 Operating temperature ≤ 70°C.

MATERIALI Polietilene ad alta densità molecolare
IMPIEGO Profilo semicircolare indicato per grandi interassi.
 Operating speed ≤ 20 m/min.
 Temperatura di lavoro ≤ 70°C.






Type Tipo	Cod. N°	Chain Catena	A	R	W	Weight Peso in [kg]	Type Tipo	Cod. N°	Chain Catena	A	R	W	Weight Peso in [kg]
VG 1 S	BL010502	06-B1	20	120	5	0,07	VG 1 D	BL010522	06-B2	20	120	5	0,08
VG 2 S	BL010504	08-B1	20	120	7	0,08	VG 2 D	BL010524	08-B2	20	120	7	0,08
VG 3 S	BL010506	10-B1	20	140	9	0,10	VG 3 D	BL010526	10-B2	25	140	9	0,12
VG 4 S	BL010508	12-B1	20	140	11	0,12	VG 4 D	BL010528	12-B2	30	140	11	0,25
VG 5 S	BL010510	16-B1	25	160	16	0,20	VG 5 D	BL010530	16-B2	48	160	16	0,50
VG 6 S	BL010512	20-B1	25	160	18	0,20							
VG 7 S	BL010514	24-B1	30	160	24	0,35							
VG 6 D	BL010532	20-B2	55	160	18	1,30							
VG 7 D	BL010534	24-B2	70	160	24	1,40							

Type: **BBZVG – BBXVG** / Tipo: **BBZVG – BBXVG**



🇬🇧 Tensioners are made by BB elastic element and VG sliding block. Tensioners BBZVG are available with galvanized springs and BBXVG types with stainless steel springs; load values are indicated on page I-30. The travel is 40 mm.

🇮🇹 I tenditori sono composti dall'elemento elastico BC e la testa VG. I tenditori BBZVG sono disponibili con molle in acciaio zincato ed i tipi BBXVG con molle in acciaio inox; i valori di carico sono riportati a pag I-30. La corsa è di 40 mm.

		Zinc plated springs / Molle zincate				Stainless steel springs / Molle inox					
Chain Catena DIN 8187 ISO Pitch		BBZ+VG	BBZ	← VG		→		BBX	BBX+VG		
					A	W					
06-B1	3/8"x7/32"	BB10ZVG1S	BB 10 Z	BL010620	VG 1 S	BL010502	20	5	BB 10 X	BL011630	BB10XVG1S
06-B1	3/8"x7/32"	BB20ZVG1S	BB 20 Z	BL010622	VG 1 S	BL010502	20	5	BB 20 X	BL011632	BB20XVG1S
08-B1	1/2"x5/16"	BB10ZVG2S	BB 10 Z	BL010620	VG 2 S	BL010504	20	7	BB 10 X	BL011630	BB10XVG2S
08-B1	1/2"x5/16"	BB20ZVG2S	BB 20 Z	BL010622	VG 2 S	BL010504	20	7	BB 20 X	BL011632	BB20XVG2S
10-B1	5/8"x3/8"	BB20ZVG3S	BB 20 Z	BL010622	VG 3 S	BL010506	20	9	BB 20 X	BL011632	BB20XVG3S
10-B1	5/8"x3/8"	BB30ZVG3S	BB 30 Z	BL010624	VG 3 S	BL010506	20	9	BB 30 X	BL011634	BB30XVG3S
12-B1	3/4"x7/16"	BB20ZVG4S	BB 20 Z	BL010622	VG 4 S	BL010508	20	11	BB 20 X	BL011632	BB20XVG4S
12-B1	3/4"x7/16"	BB30ZVG4S	BB 30 Z	BL010624	VG 4 S	BL010508	20	11	BB 30 X	BL011634	BB30XVG4S
16-B1	1"x17.02mm	BB30ZVG5S	BB 30 Z	BL010624	VG 5 S	BL010510	25	16	BB 30 X	BL011634	BB30XVG5S
16-B1	1"x17.02mm	BB40ZVG5S	BB 40 Z	BL010626	VG 5 S	BL010510	25	16	BB 40 X	BL011636	BB40XVG5S
20-B1	1"1/4x3/4"	BB30ZVG6S	BB 30 Z	BL010624	VG 6 S	BL010512	25	18	BB 30 X	BL011634	BB30XVG6S
20-B1	1"1/4x3/4"	BB40ZVG6S	BB 40 Z	BL010626	VG 6 S	BL010512	25	18	BB 40 X	BL011636	BB40XVG6S
24-B1	1"1/2x1"	BB30ZVG7S	BB 30 Z	BL010624	VG 7 S	BL010514	30	24	BB 30 X	BL011634	BB30XVG7S
24-B1	1"1/2x1"	BB40ZVG7S	BB 40 Z	BL010626	VG 7 S	BL010514	30	24	BB 40 X	BL011636	BB40XVG7S
06-B2	3/8"x7/32"	BB10ZVG1D	BB 10 Z	BL010620	VG 1 D	BL010522	20	5	BB 10 X	BL011630	BB10XVG1D
06-B2	3/8"x7/32"	BB20ZVG1D	BB 20 Z	BL010622	VG 1 D	BL010522	20	5	BB 20 X	BL011632	BB20XVG1D
08-B2	1/2"x5/16"	BB20ZVG2D	BB 20 Z	BL010622	VG 2 D	BL010524	20	7	BB 20 X	BL011632	BB20XVG2D
10-B2	5/8"x3/8"	BB20ZVG3D	BB 20 Z	BL010622	VG 3 D	BL010526	25	9	BB 20 X	BL011632	BB20XVG3D
10-B2	5/8"x3/8"	BB30ZVG3D	BB 30 Z	BL010624	VG 3 D	BL010526	25	9	BB 30 X	BL011634	BB30XVG3D
12-B2	3/4"x7/16"	BB30ZVG4D	BB 30 Z	BL010624	VG 4 D	BL010528	30	11	BB 30 X	BL011634	BB30XVG4D
16-B2	1"x17.02mm	BB30ZVG5D	BB 30 Z	BL010624	VG 5 D	BL010530	48	16	BB 30 X	BL011634	BB30XVG5D
16-B2	1"x17.02mm	BB40ZVG5D	BB 40 Z	BL010626	VG 5 D	BL010530	48	16	BB 40 X	BL011636	BB40XVG5D
20-B2	1"1/4x3/4"	BB30ZVG6D	BB 30 Z	BL010624	VG 6 D	BL010532	55	18	BB 30 X	BL011634	BB30XVG6D
20-B2	1"1/4x3/4"	BB40ZVG6D	BB 40 Z	BL010626	VG 6 D	BL010532	55	18	BB 40 X	BL011636	BB40XVG6D
24-B2	1"1/2x1"	BB30ZVG7D	BB 30 Z	BL010624	VG 7 D	BL010534	70	24	BB 30 X	BL011634	BB30XVG7D
24-B2	1"1/2x1"	BB40ZVG7D	BB 40 Z	BL010626	VG 7 D	BL010534	70	24	BB 40 X	BL011636	BB40XVG7D

Tensioners for triple chain are provided on request only. / I tenditori per catena tripla si forniscono solo su richiesta.