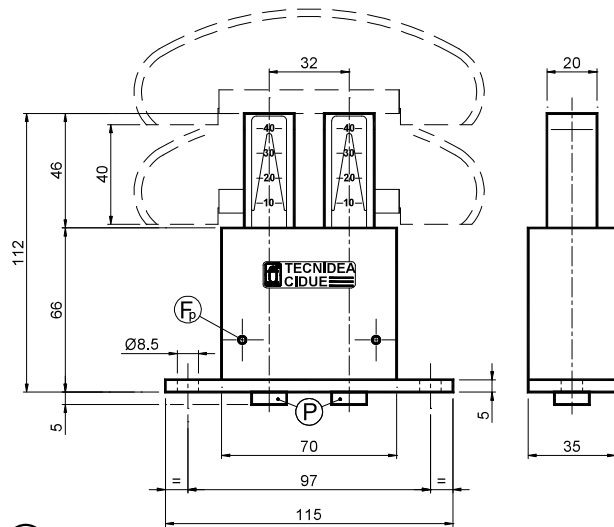


Elastic Elements – Type: **BC-Z**: with galvanized springs / Type: **BC-X**: with stainless steel springs
 Elementi Elastici – Tipo: **BC-Z**: con molle in acciaio zincato / Tipo: **BC-X**: con molle in acciaio inox



(F_p) = Preloading hole / Foro precarica

(P) = Preloading pin / Piolo per precarica



UK MATERIALS The external box is made of painted steel. The internal components are made of plastic material. Bolts are in stainless steel. The inner springs are galvanized (BC-Z) or in stainless steel (BC-X).
USE Elastic element for chain-tensioner. All the articles are supplied with a preloading system. The maximum operating temperature is +80°C. The travel is 40 mm.

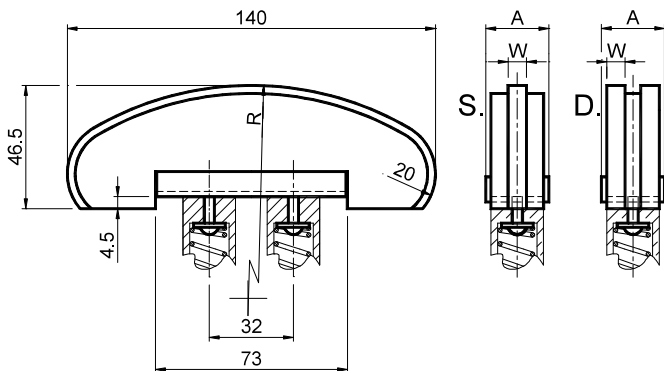
IT MATERIALI Il corpo esterno è in acciaio verniciato. I componenti interni sono in materiale plastico. Viteria in acciaio inox. Le molle all'interno sono in acciaio zincato (BC-Z) oppure in acciaio inox (BC-X).

IMPIEGO Elemento elastico per tendicatena. Tutti gli articoli vengono forniti con sistema di precarica. La temperatura massima di lavoro è +80°C. La corsa è di 40 mm.

Type Tipo	Cod. N°	Newton	Weight Peso in [kg]
BC 10 Z	BL010600	72 ÷ 158	0,60
BC 20 Z	BL010602	128 ÷ 284	0,60
BC 30 Z	BL010604	216 ÷ 478	0,60
BC 40 Z	BL010606	388 ÷ 860	0,60
BC 10 X	BL010610	70 ÷ 154	0,60
BC 20 X	BL010612	126 ÷ 278	0,60
BC 30 X	BL010614	210 ÷ 466	0,60
BC 40 X	BL010616	342 ÷ 760	0,60

KIT for chains / KIT per catene

Polyethylene sliding block – Type: **CG** / Pattino in polietilene – Tipo: **CG**



UK MATERIALS Sliding block made of high molecular density polyethylene. Stainless steel bolts. Steel profile.

USE Arc profile suggested for transmissions with medium/large distance between centers.

Operating speed ≤ 20 m/min.

Operating temperature of the sliding block ≤ 70°C.

IT MATERIALI Pattino in polietilene ad alta densità molecolare.

Bulloneria in acciaio inox. Profilo in acciaio.

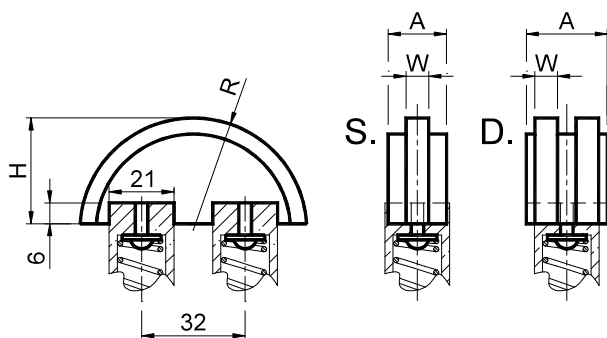
IMPIEGO Profilo ad arco per trasmissioni con medio/lungo interasse.

Velocità di lavoro ≤ 20 m/min.

Temperatura di lavoro del pattino ≤ 70°C.

Type Tipo	Cod. N°	Chain Catena	A	R	W	Weight Peso in [kg]
CG 1 S	BL010771	06-B1	24	120	5	0,14
CG 2 S	BL010772	08-B1	24	120	7	0,14
CG 3 S	BL010773	10-B1	24	140	9	0,11
CG 4 S	BL010774	12-B1	24	140	11	0,16
CG 5 S	BL010775	16-B1	29	160	16	0,18
CG 6 S	BL010776	20-B1	29	160	18	0,28
CG 1 D	BL010781	06-B2	24	120	5	0,14
CG 2 D	BL010782	08-B2	24	120	7	0,18
CG 3 D	BL010783	10-B2	29	140	9	0,18
CG 4 D	BL010784	12-B2	34	140	11	0,33
CG 5 D	BL010785	16-B2	52	160	16	0,56

Polyethylene sliding block – Type: **CV** / *Pattino in polietilene – Tipo: CV*

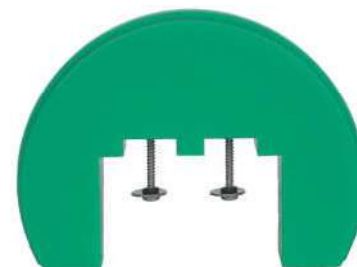
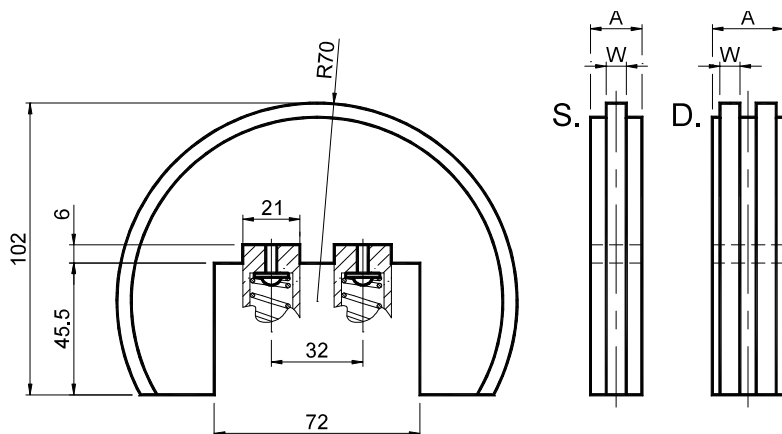


Type Tipo	Cod. N°	Chain Catena	A	R	H	W	Weight Peso in [kg]
CV 1 S	BL010641	06-B1	18	35	33	5	0,03
CV 2 S	BL010642	08-B1	18	35	33	7	0,03
CV 3 S	BL010643	10-B1	18	45	43	9	0,05
CV 4 S	BL010644	12-B1	18	45	43	11	0,08
CV 1 D	BL010651	06-B2	18	35	33	5	0,03
CV 2 D	BL010652	08-B2	21	35	33	7	0,03
CV 3 D	BL010653	10-B2	25	45	43	9	0,08
CV 4 D	BL010654	12-B2	30	45	43	11	0,09

UK MATERIALS Sliding block made of high molecular density polyethylene. Stainless steel bolts.
USE Semi-circular lowered profile suggested for transmission with small distance between centers. Operating speed ≤ 20 m/min. Operating temperature $\leq 70^\circ\text{C}$.

IT MATERIALI Pattino in polietilene ad alta densità molecolare. Bulloneria in acciaio inox.
IMPIEGO Profilo semicircolare per trasmissioni con corto interasse. Velocità di lavoro ≤ 20 m/min. Temperatura di lavoro del pattino $\leq 70^\circ\text{C}$.

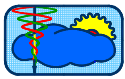
Polyethylene sliding block – Type: **CR** / *Pattino in polietilene – Tipo: CR*



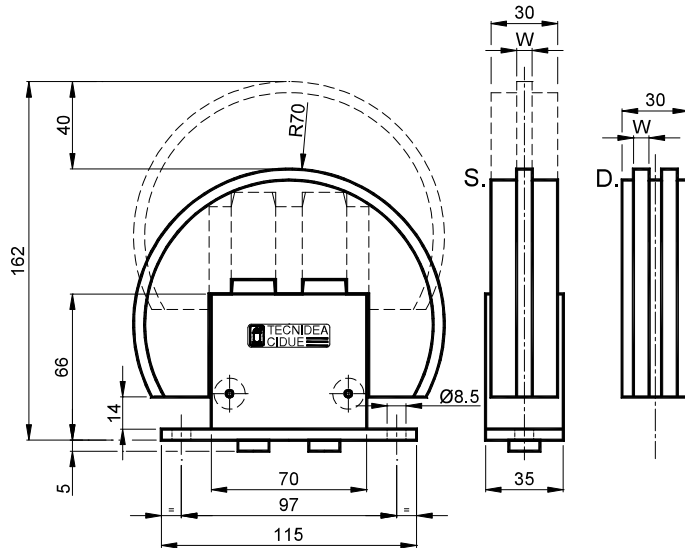
Type Tipo	Cod. N°	Chain Catena	A	W	Weight Peso in [kg]
CR 1 S	BL010711	06-B1	30	5	0,40
CR 2 S	BL010712	08-B1	30	7	0,41
CR 3 S	BL010713	10-B1	30	9	0,43
CR 4 S	BL010714	12-B1	30	11	0,44
CR 5 S	BL010715	16-B1	30	16	0,45
CR 1 D	BL010721	06-B2	30	5	0,41
CR 2 D	BL010722	08-B2	30	7	0,42
CR 3 D	BL010723	10-B2	30	9	0,44
CR 4 D	BL010724	12-B2	30	11	0,45

UK MATERIALS Sliding block made of high molecular density polyethylene. Stainless steel bolts.
USE Round profile suitable for windings to 180° . Operating speed ≤ 20 m/min. Operating temperature $\leq 70^\circ\text{C}$.

IT MATERIALI Pattino in polietilene ad alta densità molecolare. Bulloneria in acciaio inox.
IMPIEGO Profilo circolare per avvolgimenti a 180° . Velocità di lavoro ≤ 20 m/min. Temperatura di lavoro del pattino $\leq 70^\circ\text{C}$.



Type: **BCZCR – BCXCR** / Tipo: **BCZCR – BCXCR**



UK Tensioners are made by BC elastic element and CR head.

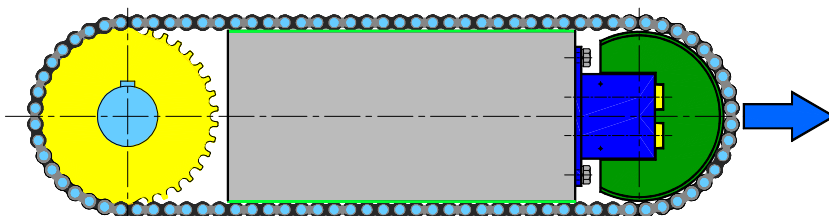
Tensioners BCZCR are available with galvanized springs and BCXCR types with stainless steel springs; load values are indicated on pag I-30. The travel is 40 mm.

IT I tenditori sono composti dall'elemento elastico BC e la testa CR.

I tenditori BCZCR sono disponibili con molle in acciaio zincato ed i tipi BCXCR con molle in acciaio inox; i valori di carico sono riportati a pag I-30. La corsa è di 40 mm.

		Zinc plated springs / Molle zincate				Stainless steel springs / Molle inox				
Chain Catena DIN 8187 ISO Pitch		BCZ+CR	BCZ	CR		BCX	BCX+CR			
					W					
06-B1	3/8"x7/32"	BC10ZCR1S	BC 10 Z	BL010600	CR 1 S	BL010711	5	BC 10 X	BL010610	BC10XCR1S
06-B1	3/8"x7/32"	BC20ZCR1S	BC 20 Z	BL010602	CR 1 S	BL010711	5	BC 20 X	BL010612	BC20XCR1S
08-B1	1/2"x5/16"	BC10ZCR2S	BC 10 Z	BL010600	CR 2 S	BL010712	7	BC 10 X	BL010610	BC10XCR2S
08-B1	1/2"x5/16"	BC20ZCR2S	BC 20 Z	BL010602	CR 2 S	BL010712	7	BC 20 X	BL010612	BC20XCR2S
10-B1	5/8"x3/8"	BC20ZCR3S	BC 20 Z	BL010602	CR 3 S	BL010713	9	BC 20 X	BL010612	BC20XCR3S
10-B1	5/8"x3/8"	BC30ZCR3S	BC 30 Z	BL010604	CR 3 S	BL010713	9	BC 30 X	BL010614	BC30XCR3S
12-B1	3/4"x7/16"	BC20ZCR4S	BC 20 Z	BL010602	CR 4 S	BL010714	11	BC 20 X	BL010612	BC20XCR4S
12-B1	3/4"x7/16"	BC30ZCR4S	BC 30 Z	BL010604	CR 4 S	BL010714	11	BC 30 X	BL010614	BC30XCR4S
16-B1	1"x17.02mm	BC30ZCR5S	BC 30 Z	BL010604	CR 5 S	BL010715	16	BC 30 X	BL010614	BC30XCR5S
16-B1	1"x17.02mm	BC40ZCR5S	BC 40 Z	BL010606	CR 5 S	BL010715	16	BC 40 X	BL010616	BC40XCR5S
06-B2	3/8"x7/32"	BC10ZCR1D	BC 10 Z	BL010600	CR 1 D	BL010721	5	BC 10 X	BL010610	BC10XCR1D
06-B2	3/8"x7/32"	BC20ZCR1D	BC 20 Z	BL010602	CR 1 D	BL010721	5	BC 20 X	BL010612	BC20XCR1D
08-B2	1/2"x5/16"	BC20ZCR2D	BC 20 Z	BL010602	CR 2 D	BL010722	7	BC 20 X	BL010612	BC20XCR2D
10-B2	5/8"x3/8"	BC20ZCR3D	BC 20 Z	BL010602	CR 3 D	BL010722	9	BC 20 X	BL010612	BC20XCR3D
10-B2	5/8"x3/8"	BC30ZCR3D	BC 30 Z	BL010604	CR 3 D	BL010723	9	BC 30 X	BL010614	BC30XCR3D
12-B2	3/4"x7/16"	BC30ZCR4D	BC 30 Z	BL010604	CR 4 D	BL010724	11	BC 30 X	BL010614	BC30XCR4D

Tensioners for triple chain are provided on request only. / I tenditori per catena tripla si forniscono solo su richiesta.



Example of application
Esempio di applicazione