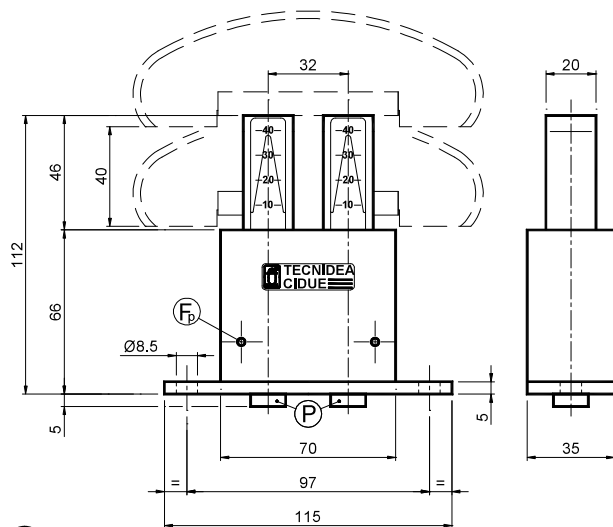


Elastic Elements – Type: **BC-Z**: with galvanized springs / Type: **BC-X**: with stainless steel springs  
 Elementi Elastici – Tipo: **BC-Z**: con molle in acciaio zincato / Tipo: **BC-X**: con molle in acciaio inox



$F_p$  = Preloading hole / Foro precarica

$P$  = Preloading pin / Piolo per precarica



**UK MATERIALS** The external box is made of painted steel. The internal components are made of plastic material. Bolts are in stainless steel. The inner springs are galvanized (BC-Z) or in stainless steel (BC-X).  
**USE** Elastic element for chain-tensioner. All the articles are supplied with a preloading system. The maximum operating temperature is +80°C. The travel is 40 mm.

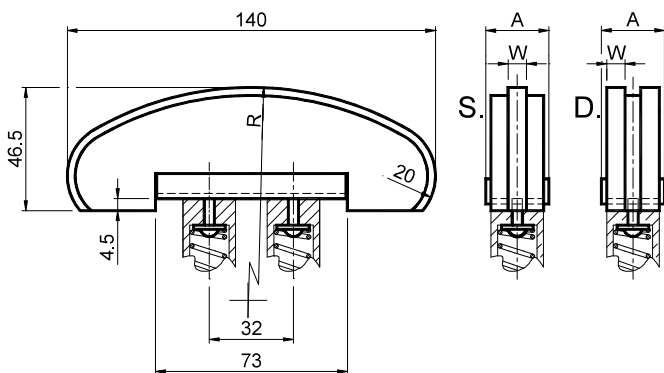
**IT MATERIALI** Il corpo esterno è in acciaio verniciato. I componenti interni sono in materiale plastico. Viteria in acciaio inox. Le molle all'interno sono in acciaio zincato (BC-Z) oppure in acciaio inox (BC-X).

**IMPIEGO** Elemento elastico per tendicatena. Tutti gli articoli vengono forniti con sistema di precarica. La temperatura massima di lavoro è +80°C. La corsa è di 40 mm.

Type Tipo	Cod. N°	Newton	Weight Peso in [kg]
BC 10 Z	BL010600	72 ÷ 158	0,60
BC 20 Z	BL010602	128 ÷ 284	0,60
BC 30 Z	BL010604	216 ÷ 478	0,60
BC 40 Z	BL010606	388 ÷ 860	0,60
BC 10 X	BL010610	70 ÷ 154	0,60
BC 20 X	BL010612	126 ÷ 278	0,60
BC 30 X	BL010614	210 ÷ 466	0,60
BC 40 X	BL010616	342 ÷ 760	0,60

## KIT for chains / KIT per catene

Polyethylene sliding block – Type: **CG** / Pattino in polietilene – Tipo: **CG**



**UK MATERIALS** Sliding block made of high molecular density polyethylene. Stainless steel bolts. Steel profile.

**USE** Arc profile suggested for transmissions with medium/large distance between centers.

Operating speed ≤ 20 m/min.

Operating temperature of the sliding block ≤ 70°C.

**IT MATERIALI** Pattino in polietilene ad alta densità molecolare.

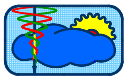
Bulloneria in acciaio inox. Profilo in acciaio.

**IMPIEGO** Profilo ad arco per trasmissioni con medio/lungo interasse.

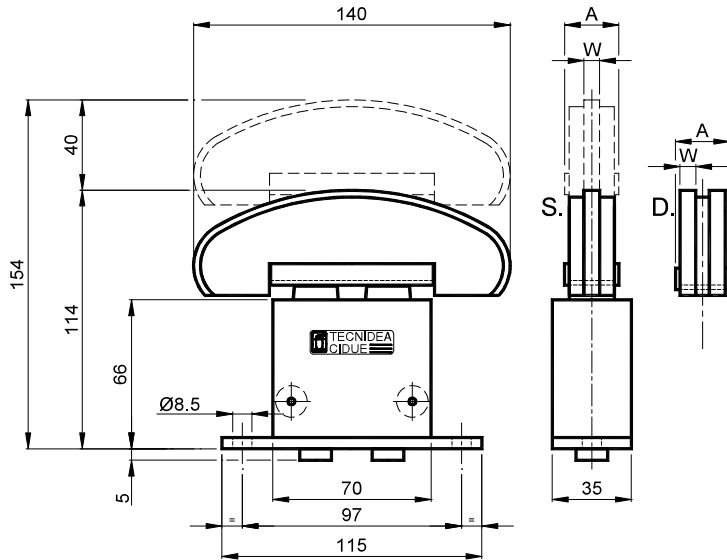
Velocità di lavoro ≤ 20 m/min.

Temperatura di lavoro del pattino ≤ 70°C.

Type Tipo	Cod. N°	Chain Catena	A	R	W	Weight Peso in [kg]
CG 1 S	BL010771	06-B1	24	120	5	0,14
CG 2 S	BL010772	08-B1	24	120	7	0,14
CG 3 S	BL010773	10-B1	24	140	9	0,11
CG 4 S	BL010774	12-B1	24	140	11	0,16
CG 5 S	BL010775	16-B1	29	160	16	0,18
CG 6 S	BL010776	20-B1	29	160	18	0,28
CG 1 D	BL010781	06-B2	24	120	5	0,14
CG 2 D	BL010782	08-B2	24	120	7	0,18
CG 3 D	BL010783	10-B2	29	140	9	0,18
CG 4 D	BL010784	12-B2	34	140	11	0,33
CG 5 D	BL010785	16-B2	52	160	16	0,56



Type: **BCZCG – BCXCG** / Tipo: **BCZCG – BCXCG**



🇬🇧 Tensioners are made by BC elastic element and CG head.

Tensioners BCZCG are available with galvanized springs and BCXCG types with stainless steel springs; load values are indicated on pag I-30. The travel is 40 mm.

🇮🇹 I tenditori sono composti dall'elemento elastico BC e la testa CG.

I tenditori BCZCG sono disponibili con molle in acciaio zincato ed i tipi BCXCG con molle in acciaio inox; i valori di carico sono riportati a pag I-30. La corsa è di 40 mm.

		Zinc plated springs / Molle zincate				Stainless steel springs / Molle inox					
Chain Catena DIN 8187 ISO Pitch		BCZ+CG	BCZ		CG		A	W	BCX		BCX+CG
06-B1	3/8"x7/32"	<b>BC10ZCG1S</b>	BC 10 Z	BL010600	CG 1 S	BL010771	24	5	BC 10 X	BL010610	<b>BC10XCG1S</b>
06-B1	3/8"x7/32"	<b>BC20ZCG1S</b>	BC 20 Z	BL010602	CG 1 S	BL010771	24	5	BC 20 X	BL010612	<b>BC20XCG1S</b>
08-B1	1/2"x5/16"	<b>BC10ZCG2S</b>	BC 10 Z	BL010600	CG 2 S	BL010772	24	7	BC 10 X	BL010610	<b>BC10XCG2S</b>
08-B1	1/2"x5/16"	<b>BC20ZCG2S</b>	BC 20 Z	BL010602	CG 2 S	BL010772	24	7	BC 20 X	BL010612	<b>BC20XCG2S</b>
10-B1	5/8"x3/8"	<b>BC20ZCG3S</b>	BC 20 Z	BL010602	CG 3 S	BL010773	24	9	BC 20 X	BL010612	<b>BC20XCG3S</b>
10-B1	5/8"x3/8"	<b>BC30ZCG3S</b>	BC 30 Z	BL010604	CG 3 S	BL010773	24	9	BC 30 X	BL010614	<b>BC30XCG3S</b>
12-B1	3/4"x7/16"	<b>BC20ZCG4S</b>	BC 20 Z	BL010602	CG 4 S	BL010774	24	11	BC 20 X	BL010612	<b>BC20XCG4S</b>
12-B1	3/4"x7/16"	<b>BC30ZCG4S</b>	BC 30 Z	BL010604	CG 4 S	BL010774	24	11	BC 30 X	BL010614	<b>BC30XCG4S</b>
16-B1	1"x17.02mm	<b>BC30ZCG5S</b>	BC 30 Z	BL010604	CG 5 S	BL010775	29	16	BC 30 X	BL010614	<b>BC30XCG5S</b>
16-B1	1"x17.02mm	<b>BC40ZCG5S</b>	BC 40 Z	BL010606	CG 5 S	BL010775	29	16	BC 40 X	BL010616	<b>BC40XCG5S</b>
20-B1	1"1/4x3/4"	<b>BC30ZCG6S</b>	BC 30 Z	BL010604	CG 6 S	BL010776	29	18	BC 30 X	BL010614	<b>BC30XCG6S</b>
20-B1	1"1/4x3/4"	<b>BC40ZCG6S</b>	BC 40 Z	BL010606	CG 6 S	BL010776	29	18	BC 40 X	BL010616	<b>BC40XCG6S</b>
06-B2	3/8"x7/32"	<b>BC10ZCG1D</b>	BC 10 Z	BL010600	CG 1 D	BL010781	24	5	BC 10 X	BL010610	<b>BC10XCG1D</b>
06-B2	3/8"x7/32"	<b>BC20ZCG1D</b>	BC 20 Z	BL010602	CG 1 D	BL010781	24	5	BC 20 X	BL010612	<b>BC20XCG1D</b>
08-B2	1/2"x5/16"	<b>BC20ZCG2D</b>	BC 20 Z	BL010602	CG 2 D	BL010782	24	7	BC 20 X	BL010612	<b>BC20XCG2D</b>
10-B2	5/8"x3/8"	<b>BC20ZCG3D</b>	BC 20 Z	BL010602	CG 3 D	BL010783	29	9	BC 20 X	BL010612	<b>BC20XCG3D</b>
10-B2	5/8"x3/8"	<b>BC30ZCG3D</b>	BC 30 Z	BL010604	CG 3 D	BL010783	29	9	BC 30 X	BL010614	<b>BC30XCG3D</b>
12-B2	3/4"x7/16"	<b>BC30ZCG4D</b>	BC 30 Z	BL010604	CG 4 D	BL010784	34	11	BC 30 X	BL010614	<b>BC30XCG4D</b>
16-B2	1"x17.02mm	<b>BC30ZCG5D</b>	BC 30 Z	BL010604	CG 5 D	BL010785	52	16	BC 30 X	BL010614	<b>BC30XCG5D</b>
16-B2	1"x17.02mm	<b>BC40ZCG5D</b>	BC 40 Z	BL010606	CG 5 D	BL010785	52	16	BC 40 X	BL010616	<b>BC40XCG5D</b>

Tensioners for triple chain are provided on request only / I tenditori per catena tripla si forniscono solo su richiesta.