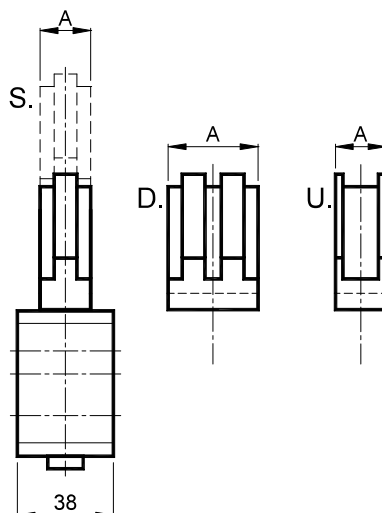
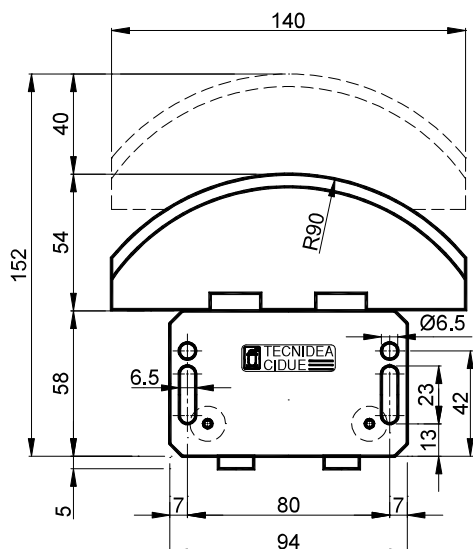



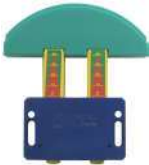



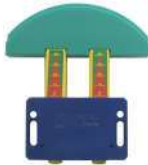



Type: **BPZHG – BPXHG** / Tipo: **BPZHG – BPXHG**



 Tensioners are made by BP elastic element and HG head.  
Tensioners BPZHG are available with galvanized springs and BPXHG types with stainless steel springs; load values are indicated on pag I-30.  
The travel is 40 mm.

 I tenditori sono composti dall'elemento elastico BP e la testa HG.  
I tenditori BPZHG sono disponibili con molle in acciaio zincato ed i tipi BPXHG con molle in acciaio inox; i valori di carico sono riportati a pag I-30.  
La corsa è di 40 mm.

		Zinc plated springs / Molle zincate				Stainless steel springs / Molle inox					
		BPZ+HG	BPZ	HG		BPX	BPX+HG				
Chain Catena DIN 8187 ISO Pitch					A						
											
≤06-B1	≤3/8"x7/32"	<b>BP10ZHG1U</b>	BP 10 Z	BL010990	HG U	BL010899	20	BP 10 X	BL011010	<b>BP10XHG1U</b>	
08-B1	1/2"x5/16"	<b>BP10ZHG2S</b>	BP 10 Z	BL010990	HG 2 S	BL010902	20	BP 10 X	BL011010	<b>BP10XHG2S</b>	
08-B1	1/2"x5/16"	<b>BP20ZHG2S</b>	BP 20 Z	BL010994	HG 2 S	BL010902	20	BP 20 X	BL011014	<b>BP20XHG2S</b>	
10-B1	5/8"x3/8"	<b>BP10ZHG3S</b>	BP 10 Z	BL010990	HG 3 S	BL010903	20	BP 10 X	BL011010	<b>BP10XHG3S</b>	
10-B1	5/8"x3/8"	<b>BP20ZHG3S</b>	BP 20 Z	BL010994	HG 3 S	BL010903	20	BP 20 X	BL011014	<b>BP20XHG3S</b>	
10-B1	5/8"x3/8"	<b>BP30ZHG3S</b>	BP 30 Z	BL010998	HG 3 S	BL010903	20	BP 30 X	BL011018	<b>BP30XHG3S</b>	
12-B1	3/4"x7/16"	<b>BP10ZHG4S</b>	BP 10 Z	BL010990	HG 4 S	BL010904	20	BP 10 X	BL011010	<b>BP20XHG4S</b>	
12-B1	3/4"x7/16"	<b>BP20ZHG4S</b>	BP 20 Z	BL010994	HG 4 S	BL010904	20	BP 20 X	BL011014	<b>BP20XHG4S</b>	
12-B1	3/4"x7/16"	<b>BP30ZHG4S</b>	BP 30 Z	BL010998	HG 4 S	BL010904	20	BP 30 X	BL011018	<b>BP30XHG4S</b>	
16-B1	1"x17.02mm	<b>BP30ZHG5S</b>	BP 30 Z	BL010998	HG 5 S	BL010905	20	BP 30 X	BL011018	<b>BP30XHG5S</b>	
16-B1	1"x17.02mm	<b>BP40ZHG5S</b>	BP 40 Z	BL011002	HG 5 S	BL010905	20	BP 40 X	BL011022	<b>BP40XHG5S</b>	
05-B2	8mm	<b>BP10ZHG0D</b>	BP 10 Z	BL010990	HG 0 D	BL010910	20	BP 10 X	BL011010	<b>BP10XHG0D</b>	
06-B2	3/8"x7/32"	<b>BP10ZHG1D</b>	BP 10 Z	BL010990	HG 1 D	BL010911	20	BP 10 X	BL011010	<b>BP10XHG1D</b>	
06-B2	3/8"x7/32"	<b>BP20ZHG1D</b>	BP 20 Z	BL010994	HG 1 D	BL010911	20	BP 20 X	BL011014	<b>BP20XHG1D</b>	
08-B2	1/2"x5/16"	<b>BP20ZHG2D</b>	BP 20 Z	BL010994	HG 2 D	BL010912	20	BP 20 X	BL011014	<b>BP20XHG2D</b>	
10-B2	5/8"x3/8"	<b>BP20ZHG3D</b>	BP 20 Z	BL010994	HG 3 D	BL010913	25	BP 20 X	BL011014	<b>BP20XHG3D</b>	
10-B2	5/8"x3/8"	<b>BP30ZHG3D</b>	BP 30 Z	BL010998	HG 3 D	BL010913	25	BP 30 X	BL011018	<b>BP30XHG3D</b>	
12-B2	3/4"x7/16"	<b>BP20ZHG4D</b>	BP 20 Z	BL010994	HG 4 D	BL010914	30	BP 20 X	BL011022	<b>BP20XHG4D</b>	
12-B2	3/4"x7/16"	<b>BP30ZHG4D</b>	BP 30 Z	BL010998	HG 4 D	BL010914	30	BP 30 X	BL011018	<b>BP30XHG4D</b>	

Tensioners for triple chain are provided on request only / I tenditori per catena tripla si forniscono solo su richiesta.