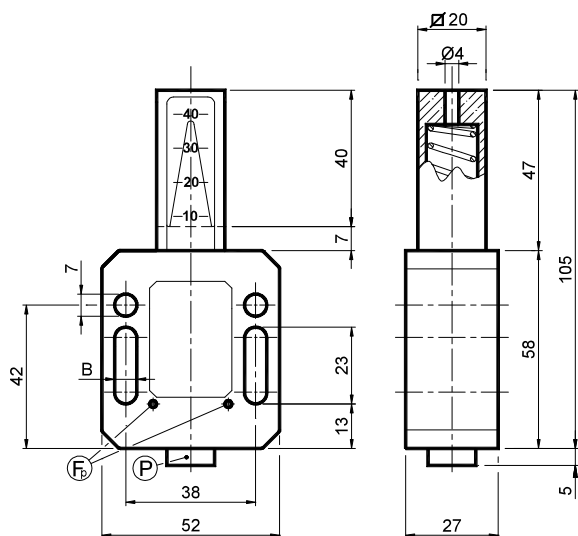


Elastic elements - Type **BL-Z**: with galvanized steel spring – Type **BL-X**: with stainless steel spring
 Elementi elastici - Tipo **BL-Z**: con molla in acciaio zincato – Tipo **BL-X**: con molla in acciaio inox



UK MATERIALS The body and the column are made of plastic. Stainless steel screws.

TREATMENTS Spring inside can be in galvanized or stainless steel.

USE Maximum operating temperature are +80°C. The travel is 40 mm.

IT MATERIALI Corpo e colonna in plastica. Bulloneria in acciaio inox.

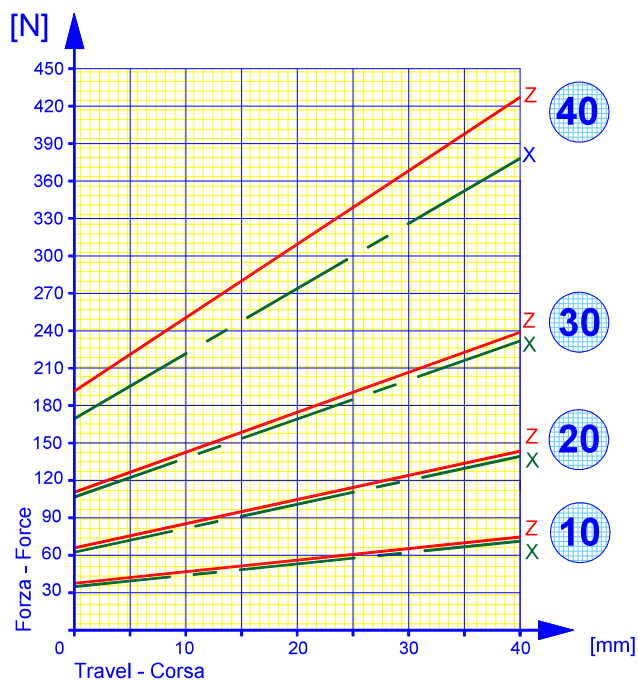
TRATTAMENTI La molla all'interno può essere in acciaio zincato oppure in acciaio inox.

IMPIEGO Temperatura massima di lavoro da +80°C. La corsa è di 40 mm.

F_p = Preloading hole / Foro precarica

P = Preloading pin / Piolo per precarica

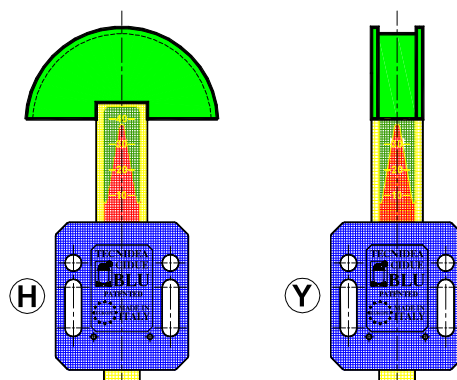
Load diagram / Diagramma di carico



Z Galvanized steel spring Molla in acciaio zincato		Weight: 0,1 [kg] Peso: 0,1 [kg]	X Stainless steel spring Molla in acciaio inox		Weight: 0,1 [kg] Peso: 0,1 [kg]	
Type Tipo	Cod. N°	B	Newton	Type Tipo	Cod. N°	Newton
BL 10-6 Z	BL010010	6,5	36 - 79	BL 10-6 X	BL010110	35 - 77
BL 10-8 Z	BL010013	8,5	36 - 79	BL 10-8 X	BL010113	35 - 77
BL 20-6 Z	BL010020	6,5	64 - 142	BL 20-6 X	BL010120	63 - 139
BL 20-8 Z	BL010023	8,5	64 - 142	BL 20-8 X	BL010123	63 - 139
BL 30-6 Z	BL010030	6,5	108 - 239	BL 30-6 X	BL010130	105 - 233
BL 30-8 Z	BL010033	8,5	108 - 239	BL 30-8 X	BL010133	105 - 233
BL 40-6 Z	BL010040	6,5	194 - 430	BL 40-6 X	BL010140	171 - 380
BL 40-8 Z	BL010043	8,5	194 - 430	BL 40-8 X	BL010143	171 - 380

Polyethylene sliding block – Type: **VF** / *Pattino in polietilene – Tipo: VF*

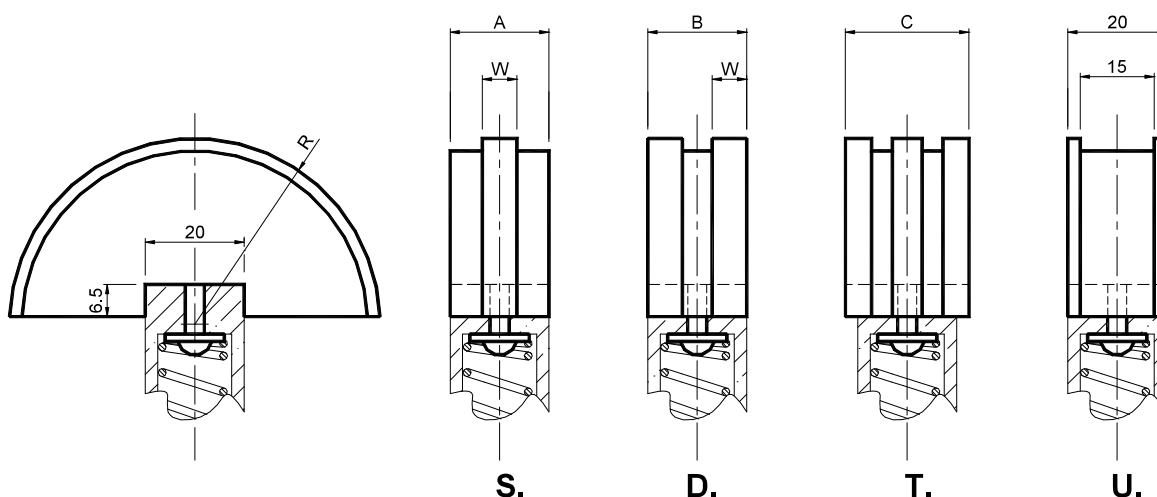
Assembly solutions / Soluzioni di montaggio:



KIT Positioning / Orientamento KIT

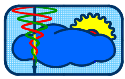
MATERIALS High molecular density polyethylene.
USE Semicircular profile indicated for small distances or for mountings near the pinion. Please specify the positioning (H or Y), otherwise it will be supplied with H execution.
 Operating speed ≤ 20 m/min.
 Operating temperature $\leq 70^\circ\text{C}$.

MATERIALI Polietilene ad alta densità molecolare.
IMPIEGO Profilo semicircolare indicato per piccoli interassi o per montaggi vicino al pignone. Specificare l'orientamento (H o Y), in mancanza sarà fornito con esecuzione H.
 Velocità di lavoro ≤ 20 m/min.
 Temperatura di lavoro $\leq 70^\circ\text{C}$.

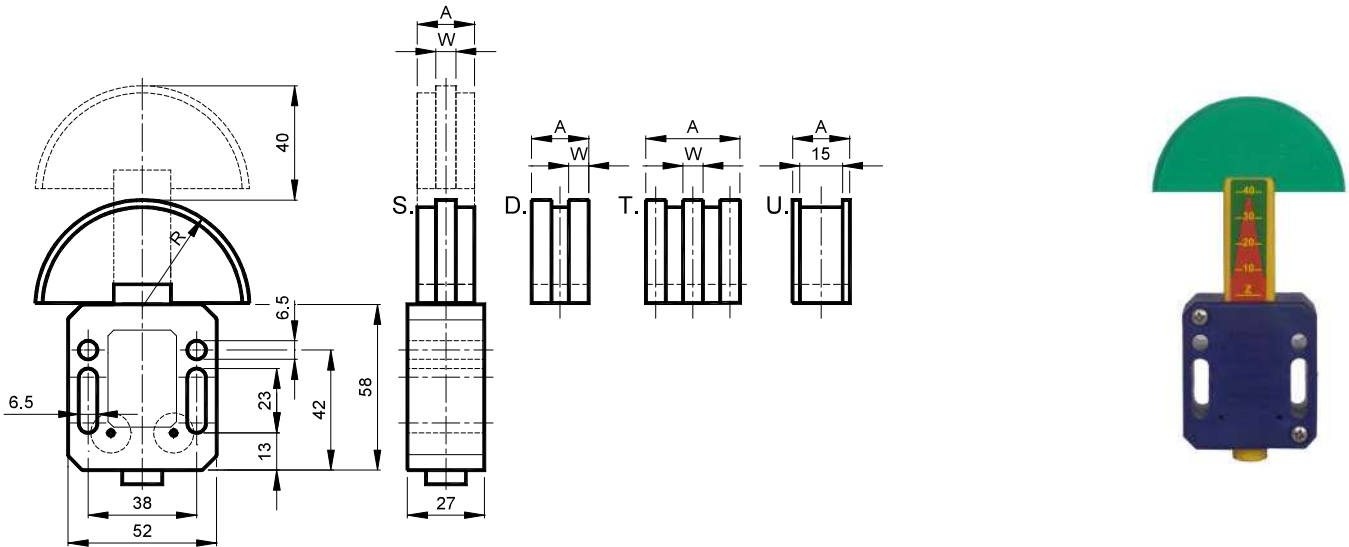


U Profile for chains with max width 15 mm / Profilo U per catene con larghezze fino a 15 mm

Type Tipo	S Cod. N°	D Cod. N°	T Cod. N°	U Cod. N°	Chain Catena	Size Taglia	R	A	B	C	W	Weight Peso in [kg]			
												S.	D.	T.	U.
VF 10-0	BL010174	BL010190		BL010170	05-B1	10	37,5	20	20		2,5	0,03	0,03		0,03
VF 10-1	BL010176	BL010192		BL010170	06-B1	10	37,5	20	20		5,0	0,03	0,03		0,03
VF 20-1	BL010176	BL010192	BL010212	BL010170	06-B1	20	37,5	20	20	25	5,0	0,03	0,03	0,04	0,03
VF 30-1			BL010212		06-B1	30	37,5			25	5,0			0,04	
VF 20-2	BL010178	BL010194			08-B1	20	37,5	20	20		7,0	0,03	0,04		
VF 30-2	BL010178	BL010194			08-B1	30	37,5	20	20		7,0	0,03	0,04		
VF 20-3	BL010180				10-B1	20	40,0	20			9,0	0,04			
VF 30-3	BL010180	BL010196			10-B1	30	40,0	20	25		9,0	0,04	0,08		
VF 40-3		BL010196			10-B1	40	40,0		25		9,0		0,08		
VF 30-4	BL010182				12-B1	30	40,0	20			11,0	0,05			
VF 40-4	BL010182				12-B1	40	40,0	20			11,0	0,05			



Type: **BL6ZVF – BL6XVF** / Tipo: **BL6ZVF – BL6XVF**

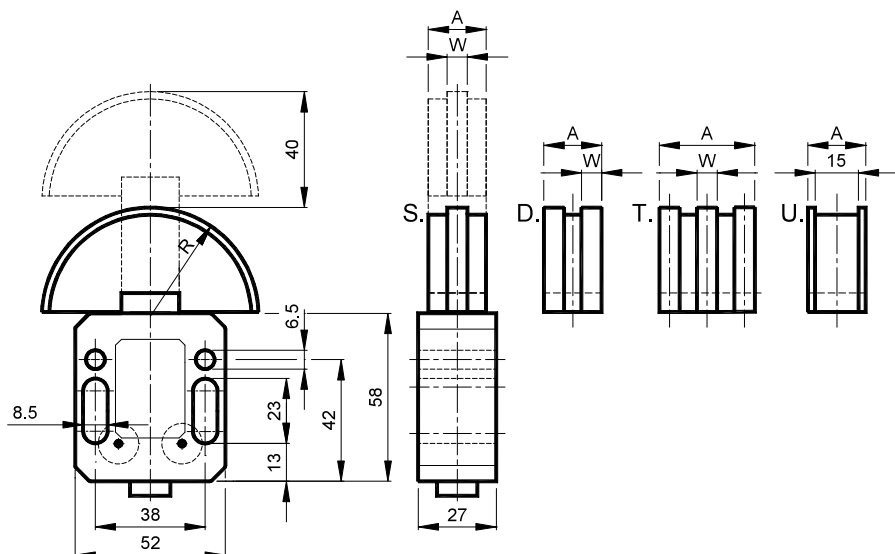


Tensioners are made by BL6 elastic element and VF head. Tensioners BL6VF are available with zinc plated springs and or with stainless steel springs; load values are indicated on pag I-13. The travel is 40 mm.

I tenditori sono composti dall'elemento elastico BL6 e la testa VF. I tenditori BL6VF sono disponibili con molle in acciaio zincato ed o con molle in acciaio inox; i valori di carico sono riportati a pag I-13. La corsa è di 40 mm.






		Zinc plated springs / Molle zincate				Stainless steel springs / Molle inox						
Chain Catena DIN 8187 ISO Pitch		BL6Z+VF	BL6Z	VF			BL6X	BL6X+VF				
					A	R	W					
05-B1	8mm	BL106ZVF0U	BL10-6Z	BL010010	VF U	BL010170	20	37,5	-	BL10-6X	BL010110	BL106XVF0U
05-B1	8mm	BL106ZVF0S	BL10-6Z	BL010010	VF0 S	BL010174	20	37,5	2,5	BL10-6X	BL010110	BL106XVF0S
06-B1	3/8"x7/32"	BL106ZVF1S	BL10-6Z	BL010010	VF1 S	BL010176	20	37,5	5,0	BL10-6X	BL010110	BL106XVF1S
06-B1	3/8"x7/32"	BL206ZVF1S	BL20-6Z	BL010020	VF1 S	BL010176	20	37,5	5,0	BL20-6X	BL010120	BL206XVF1S
08-B1	1/2"x5/16"	BL206ZVF2S	BL20-6Z	BL010020	VF2 S	BL010178	20	37,5	7,0	BL20-6X	BL010120	BL206XVF2S
08-B1	1/2"x5/16"	BL306ZVF2S	BL30-6Z	BL010030	VF2 S	BL010178	20	37,5	7,0	BL30-6X	BL010130	BL306XVF2S
10-B1	5/8"x3/8"	BL206ZVF3S	BL20-6Z	BL010020	VF3 S	BL010180	20	40,0	9,0	BL20-6X	BL010120	BL206XVF3S
10-B1	5/8"x3/8"	BL306ZVF3S	BL30-6Z	BL010030	VF3 S	BL010180	20	40,0	9,0	BL30-6X	BL010130	BL306XVF3S
12-B1	3/4"x7/16"	BL306ZVF4S	BL30-6Z	BL010030	VF4 S	BL010182	20	40,0	11,0	BL30-6X	BL010130	BL306XVF4S
12-B1	3/4"x7/16"	BL406ZVF4S	BL40-6Z	BL010040	VF4 S	BL010182	20	40,0	11,0	BL40-6X	BL010140	BL406XVF4S
05-B2	8mm	BL106ZVF0D	BL10-6Z	BL010010	VF0 D	BL010190	20	37,5	2,5	BL10-6X	BL010110	BL106XVF0D
06-B2	3/8"x7/32"	BL106ZVF1D	BL10-6Z	BL010010	VF1 D	BL010192	20	37,5	5,0	BL10-6X	BL010110	BL106XVF1D
06-B2	3/8"x7/32"	BL206ZVF1D	BL20-6Z	BL010020	VF1 D	BL010192	20	37,5	5,0	BL20-6X	BL010120	BL206XVF1D
08-B2	1/2"x5/16"	BL206ZVF2D	BL20-6Z	BL010020	VF2 D	BL010194	20	37,5	7,0	BL20-6X	BL010120	BL206XVF2D
08-B2	1/2"x5/16"	BL306ZVF2D	BL30-6Z	BL010030	VF2 D	BL010194	20	37,5	7,0	BL30-6X	BL010130	BL306XVF2D
10-B2	5/8"x3/8"	BL306ZVF3D	BL30-6Z	BL010030	VF3 D	BL010196	25	40,0	9,0	BL30-6X	BL010130	BL306XVF3D
10-B2	5/8"x3/8"	BL406ZVF3D	BL40-6Z	BL010040	VF3 D	BL010196	25	40,0	9,0	BL40-6X	BL010140	BL406XVF3D
06-B3	3/8"x7/32"	BL206ZVF1T	BL20-6Z	BL010020	VF1 T	BL010212	25	37,5	2,5	BL20-6X	BL010120	BL306XVF1T
06-B3	3/8"x7/32"	BL306ZVF1T	BL30-6Z	BL010030	VF1 T	BL010212	25	3,75	2,5	BL30-6X	BL010130	BL406XVF1T

Type: **BL8ZVF – BL8XVF** / Tipo: **BL8ZVF – BL8XVF**



Tensioners are made by BL8 elastic element and VF head. Tensioners BL8VF are available with zinc plated springs and or with stainless steel springs; load values are indicated on pag. I-13. The travel is 40 mm.

I tenditori sono composti dall'elemento elastico BL8 e la testa VF. I tenditori BL8VF sono disponibili con molle in acciaio zincato ed o con molle in acciaio inox; i valori di carico sono riportati a pag. I-13. La corsa è di 40 mm.

		Zinc plated springs / Molle zincate				Stainless steel springs / Molle inox						
Chain Catena DIN 8187 Pitch ISO		BL8Z+VF	BL8Z	VF			BL8X	BL8X+VF				
					A	R	W					
04-B1	6mm	BL108ZVFAU	BL10-8Z	BL010013	VFU	BL010170	20	37,5	-	BL10-8X	BL010113	BL108XVFAU
05-B1	8mm	BL108ZVF0U	BL10-8Z	BL010013	VFU	BL010170	20	37,5	-	BL10-8X	BL010113	BL108XVF0U
05-B1	8mm	BL108ZVF0S	BL10-8Z	BL010013	VF0 S	BL010174	20	37,5	2,5	BL10-8X	BL010113	BL108XVF0S
06-B1	3/8"x7/32"	BL108ZVF1S	BL10-8Z	BL010013	VF1 S	BL010176	20	37,5	5,0	BL10-8X	BL010113	BL108XVF1S
06-B1	3/8"x7/32"	BL208ZVF1S	BL20-8Z	BL010023	VF1 S	BL010176	20	37,5	5,0	BL20-8X	BL010123	BL208XVF1S
08-B1	1/2"x5/16"	BL208ZVF2S	BL20-8Z	BL010023	VF2 S	BL010178	20	37,5	7,0	BL20-8X	BL010123	BL208XVF2S
08-B1	1/2"x5/16"	BL308ZVF2S	BL30-8Z	BL010033	VF2 S	BL010178	20	37,5	7,0	BL30-8X	BL010133	BL308XVF2S
10-B1	5/8"x3/8"	BL208ZVF3S	BL20-8Z	BL010023	VF3 S	BL010180	20	40,0	9,0	BL20-8X	BL010123	BL208XVF3S
10-B1	5/8"x3/8"	BL308ZVF3S	BL30-8Z	BL010033	VF3 S	BL010180	20	40,0	9,0	BL30-8X	BL010133	BL308XVF3S
12-B1	3/4"x7/16"	BL308ZVF4S	BL30-8Z	BL010033	VF4 S	BL010182	20	40,0	11,0	BL30-8X	BL010133	BL308XVF4S
12-B1	3/4"x7/16"	BL408ZVF4S	BL40-8Z	BL010043	VF4 S	BL010182	20	40,0	11,0	BL40-8X	BL010143	BL408XVF4S
05-B2	8mm	BL108ZVF0D	BL10-8Z	BL010013	VF0 D	BL010190	20	37,5	2,5	BL10-8X	BL010113	BL108XVF0D
06-B2	3/8"x7/32"	BL108ZVF1D	BL10-8Z	BL010013	VF1 D	BL010192	20	37,5	5,0	BL10-8X	BL010113	BL108XVF1D
06-B2	3/8"x7/32"	BL208ZVF1D	BL20-8Z	BL010023	VF1 D	BL010192	20	37,5	5,0	BL20-8X	BL010123	BL208XVF1D
08-B2	1/2"x5/16"	BL208ZVF2D	BL20-8Z	BL010023	VF2 D	BL010194	20	37,5	7,0	BL20-8X	BL010123	BL208XVF2D
08-B2	1/2"x5/16"	BL308ZVF2D	BL30-8Z	BL010033	VF2 D	BL010194	20	37,5	7,0	BL30-8X	BL010133	BL308XVF2D
10-B2	5/8"x3/8"	BL308ZVF3D	BL30-8Z	BL010033	VF3 D	BL010196	25	40,0	9,0	BL30-8X	BL010133	BL308XVF3D
10-B2	5/8"x3/8"	BL408ZVF3D	BL40-8Z	BL010043	VF3 D	BL010196	25	40,0	9,0	BL40-8X	BL010143	BL408XVF3D
06-B3	3/8"x7/32"	BL208ZVF1T	BL20-8Z	BL010023	VF1 T	BL010212	25	37,5	2,5	BL20-8X	BL010123	BL308XVF1T
06-B3	3/8"x7/32"	BL308ZVF1T	BL30-8Z	BL010033	VF1 T	BL010212	25	37,5	2,5	BL30-8X	BL010133	BL408XVFTT