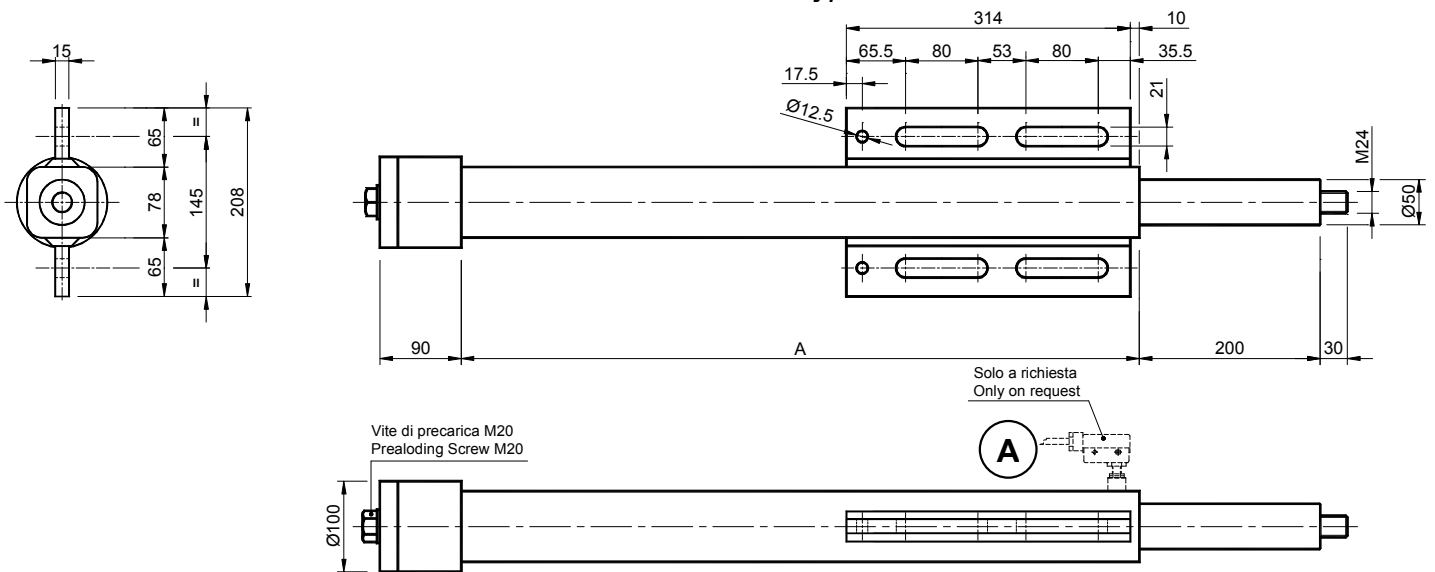


**BIG TEN 弹性组件 重型系列 – 型号: LT 为侧部连接**  
**BIG TEN Elastic element HEAVY DUTY – Type: LT with lateral connection**

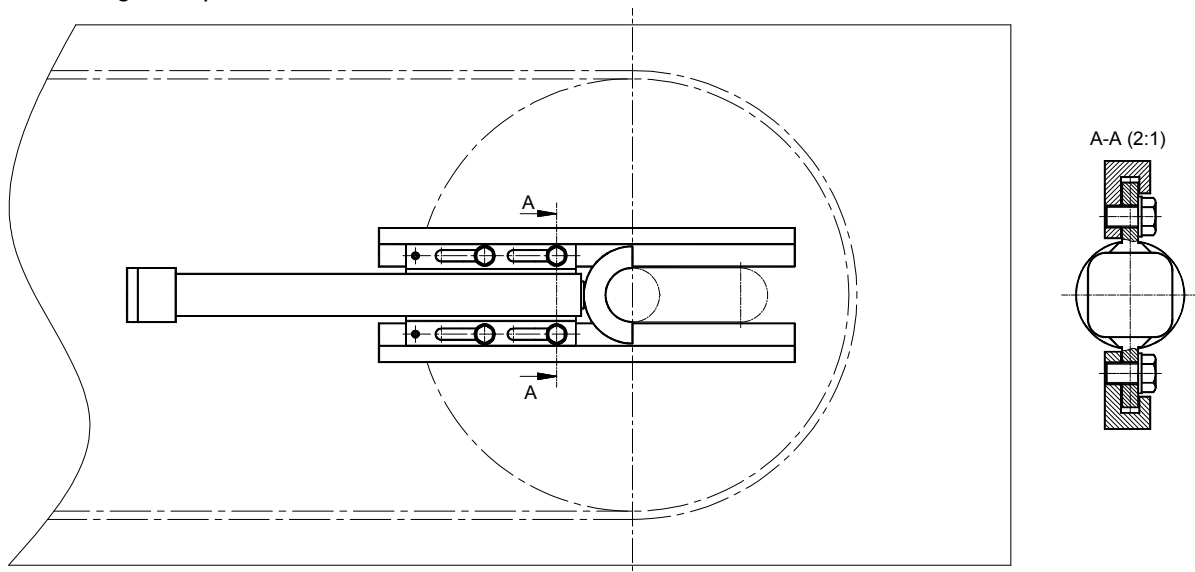


- 材料** 外部结构、圆柱和弹簧均为钢制。滑动轴衬为铜制。
- 处理** 外部结构为烤炉涂漆，堵盖、圆柱和预加压螺钉为镀锌钢。粗加工螺钉涂油。
- 应用** 用于巨型链条的加紧或链条式输送机上从动端挤压组件的弹簧式弹性组件。  
若有需要，可提供配备电子限位开关 "A" 的弹性组件。

**MATERIAL** The carpentry, the column and the spring are made of steel. The sliding bush is made of bronze.  
**TREATMENTS** Carpentry oven painted, stopper, column and preloading screw made of galvanized steel. Raw greased spring.  
**USE** Spring elastic element to tighten big chains or for pressure units on transmissions in chain-conveyors.  
On demand it can be provided with travel end switch "A".

| 型号<br>Type | 编号 N°    | A    | Newton    | 重量 Weight<br>in Kg |
|------------|----------|------|-----------|--------------------|
| LT 20 250  | TB030100 | 630  | 0 - 2500  | 24.0               |
| LT 20 500  | TB030105 | 750  | 0 - 5000  | 25.0               |
| LT 20 750  | TB030110 | 865  | 0 - 7500  | 26.5               |
| LT 20 1000 | TB030115 | 1130 | 0 - 10000 | 30.0               |

**安装实例 / Assembling example**



具“侧部连接”的 BIG TEN 弹性组件可用于设计在巨型链条或皮带输送机的从动轴中的挤压组件。弹性组件应安装在几块导向板上以便保证整组的滑动。

The BIG TEN elastic element "with lateral hooking" can be used to get pressure units in the return shift of big chain-or belt-conveyors. The elastic element must be mounted on slides which allow the sliding of the whole unit.