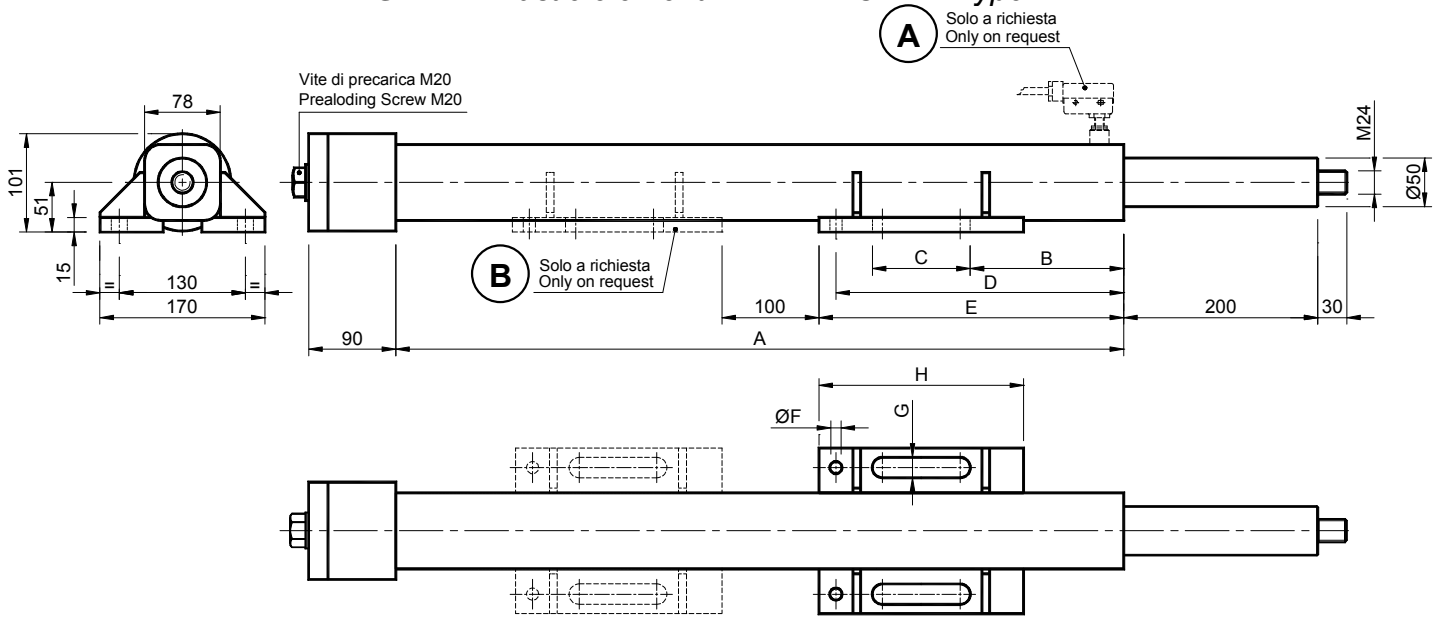


**BIG TEN 弹性组件 重型系列 – 型号: BT**  
**BIG TEN Elastic element HEAVY DUTY – Type: BT**



- 材料** 外部结构、圆柱和弹簧均为钢制。滑动轴衬为铜制。
- 处理** 外部结构为烤炉涂漆，堵盖、圆柱和预加压螺钉为镀锌钢。粗加工螺钉涂油。
- 应用** 用于巨型链条的加紧或链条式输送机上从动端挤压组件的弹簧式弹性组件。  
若有需要，可提供配备电子限位开关 "A" 或第二个安装底座 "B" 的弹性组件。

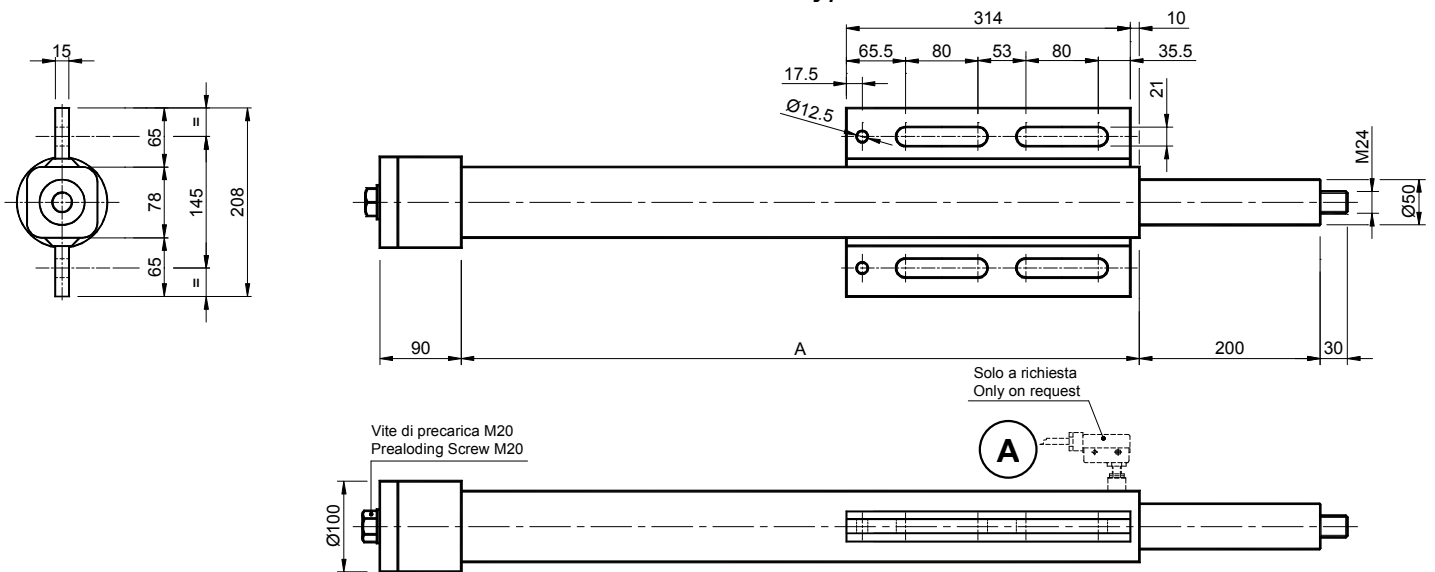
**MATERIAL** The carpentry, the column and the spring are made of steel. The sliding bush is made of bronze.  
**TREATMENTS** Carpentry oven painted, stopper, column and preloading screw made of galvanized steel. Raw greased spring.  
**USE** Spring elastic element to tighten big chains or for pressure units on transmissions in chain-conveyors.  
On demand it can be provided with travel-end switch "A" or with a second installation base "B".

型号 Type	编号 N°	A	B	C	D	E	F	G	H	Newton	重量 Weight in Kg
BT 16 250	TB030000	630	161	85	289	310	10.5	16.5	210	0 - 2500	24.0
BT 20 250	TB030005	630	132.5	121	293	310	12.5	21.0	210	0 - 2500	24.0
BT 16 500	TB030015	750	161	85	289	310	10.5	16.5	210	0 - 5000	25.0
BT 20 500	TB030020	750	132.5	121	293	310	12.5	21.0	210	0 - 5000	25.0
BT 16 750	TB030025	865	161	85	289	310	10.5	16.5	210	0 - 7500	26.5
BT 20 750	TB030030	865	132.5	121	293	310	12.5	21.0	210	0 - 7500	26.5
BT 16 1000	TB030035	1150	161	85	289	310	10.5	16.5	210	0 - 10000	30.0
BT 20 1000	TB030040	1150	132.5	121	293	310	12.5	21.0	210	0 - 10000	30.0



**BIG TEN 弹性组件 重型系列 – 型号: LT 为侧部连接**

**BIG TEN Elastic element HEAVY DUTY – Type: LT with lateral connection**



**材料** 外部结构、圆柱和弹簧均为钢制。滑动轴衬为铜制。

**处理** 外部结构为烤炉涂漆，堵盖、圆柱和预加压螺钉为镀锌钢。粗加工螺钉涂油。

**应用** 用于巨型链条的加紧或链条式输送机上从动端挤压组件的弹簧式弹性组件。

若有需要，可提供配备电子限位开关 "A" 的弹性组件。

**MATERIAL** The carpentry, the column and the spring are made of steel. The sliding bush is made of bronze.

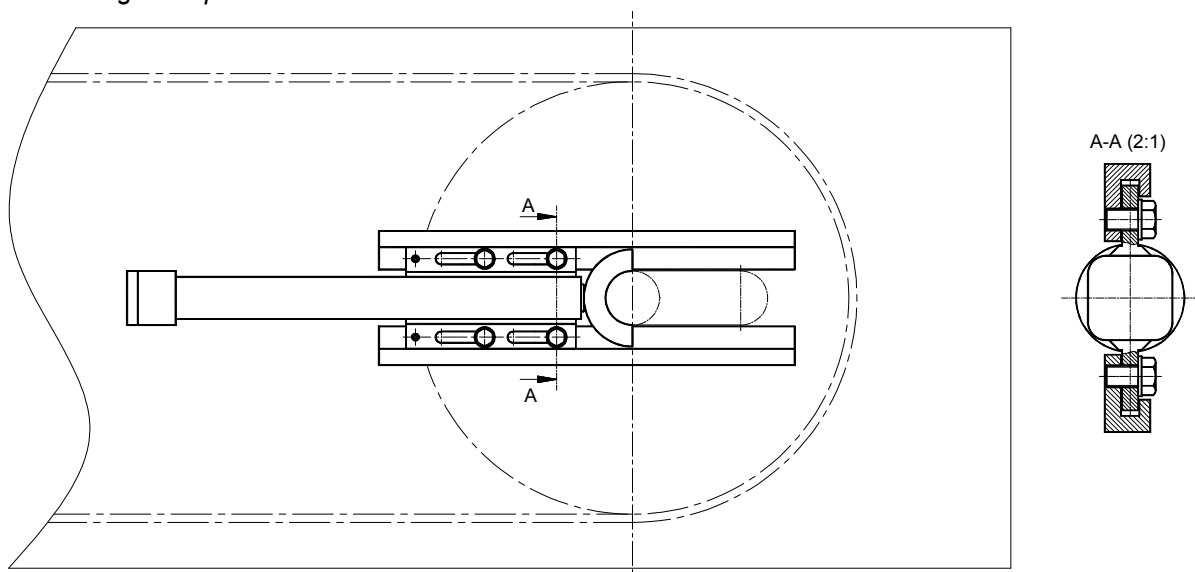
**TREATMENTS** Carpentry oven painted, stopper, column and preloading screw made of galvanized steel. Raw greased spring.

**USE** Spring elastic element to tighten big chains or for pressure units on transmissions in chain-conveyors.

On demand it can be provided with travel end switch "A".

型号 Type	编号 N°	A	Newton	重量 Weight in Kg
LT 20 250	TB030100	630	0 - 2500	24.0
LT 20 500	TB030105	750	0 - 5000	25.0
LT 20 750	TB030110	865	0 - 7500	26.5
LT 20 1000	TB030115	1130	0 - 10000	30.0

**安装实例 / Assembling example**

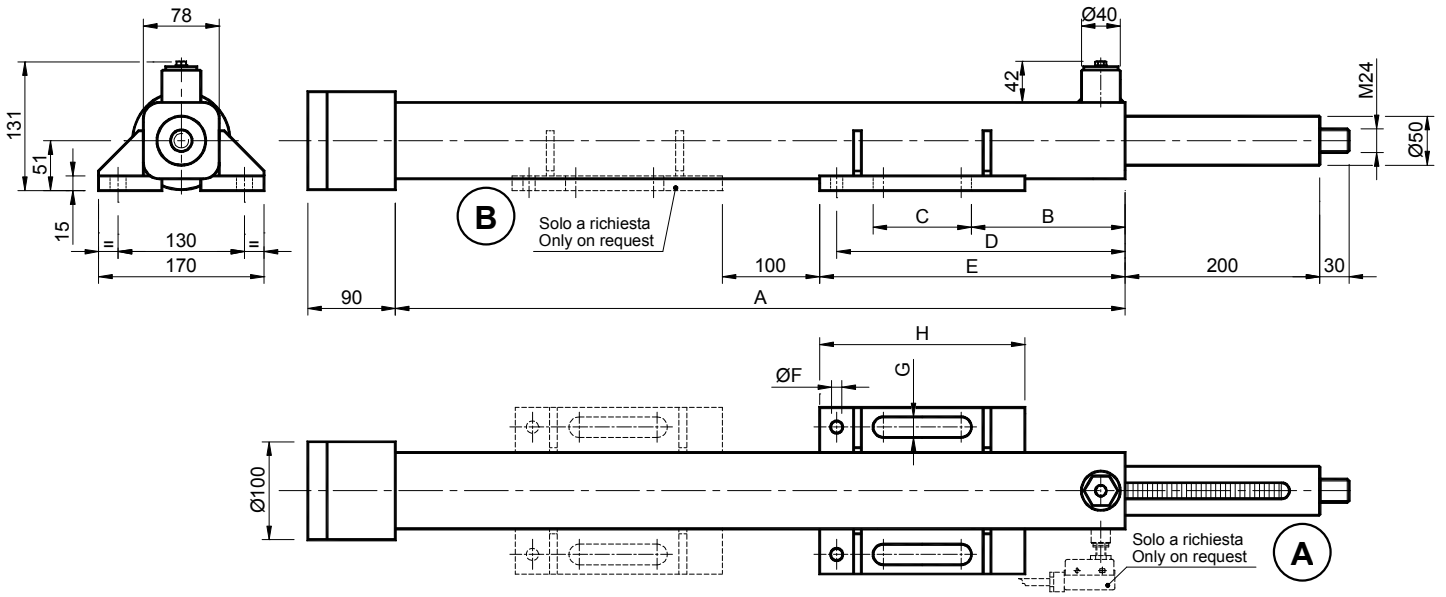


具“侧部连接”的 BIG TEN 弹性组件可用于设计在巨型链条或皮带输送机的从动轴中的挤压组件。弹性组件应安装在几块导向板上以便保证整组的滑动。

The BIG TEN elastic element "with lateral hooking" can be used to get pressure units in the return shift of big chain-or belt-conveyors. The elastic element must be mounted on slides which allow the sliding of the whole unit.

**BIG TEN 弹性组件 重型系列 – 型号: UT 单向**

*Elemento Elastico **BIG TEN** HEAVY DUTY – Type: **UT** One directional*



**材料** 外部结构、圆柱和弹簧均为钢制。滑动轴衬为铜制。

**处理** 外部结构为烤炉涂漆，堵盖、圆柱和预加压螺钉为镀锌钢。粗加工螺钉涂油。

**应用** “单向”弹簧式弹性组件。链条或皮带的游隙通过弹簧的运动自动补偿。“单向”意指圆柱只能作推出动作，不能自由地重新进入。

若有需要，可提供配备电子限位开关“A”或第二个安装底座“B”的弹性组件。

**MATERIALS** Carpentry, column and spring made of steel. The sliding bush is made of brass.

**TREATMENTS** Oven painted carpentry, stopper, column and preloading screw made of galvanized steel. Greased raw spring.

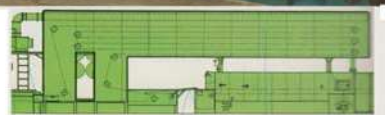
**USE** “One-directional” spring elastic element. The recover of chain- or belt- slack takes place automatically through the spring action. The definition “One-Directional” indicates that the column has a movement only in drag conditions and it is not free to move back. On demand it can be provided with travel end switch “A” or with a second installation base “B”.

型号 Type	编号 N°	A	B	C	D	E	F	G	M	Newton	重量 Weight in Kg
UT 16 250	TB030150	630	161	85	289	310	10.5	16.5	210	0 - 2500	24.0
UT 20 250	TB030155	630	132.5	121	293	310	12.5	21.0	210	0 - 2500	24.0
UT 16 500	TB030160	750	161	85	289	310	10.5	16.5	210	0 - 5000	25.0
UT 20 500	TB030165	750	132.5	121	293	310	12.5	21.0	210	0 - 5000	25.0
UT 16 750	TB030170	865	161	85	289	310	10.5	16.5	210	0 - 7500	26.5
UT 20 750	TB030175	865	132.5	121	293	310	12.5	21.0	210	0 - 7500	26.5
UT 16 1000	TB030180	1150	161	85	289	310	10.5	16.5	210	0 - 10000	30.0
UT 20 1000	TB030185	1150	132.5	121	293	310	12.5	21.0	210	0 - 10000	30.0

可能的应用实例 / Examples of possible applications:



冷却房。Cooling proofer.



发酵房。Proofer.