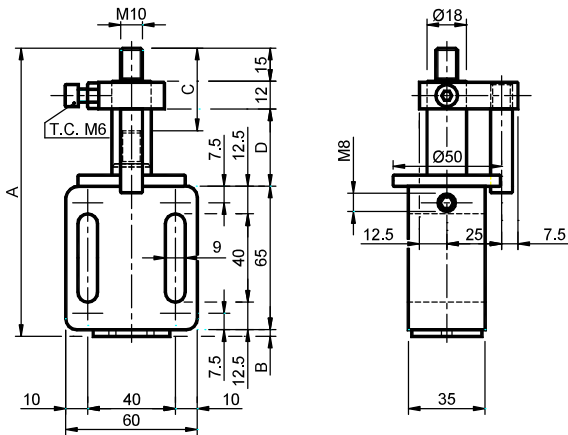


**TEN BLOC “抗扭转”弹簧式弹性组件– 型号: TBA**

**TEN BLOC Elastic spring elements “anti-rotation” – Type: TBA**

**TBA 10/20/30**



**材料** 铝制主体配黄铜轴承。套环为黄铜制。圆柱、堵盖、圆筒、小金属板、螺钉、桩销和弹簧均为钢制。

**处理** 喷砂铝，局部为镀锌钢，粗加工弹簧涂油。

**应用** “抗扭转”弹簧式弹性组件。链条或皮带的游隙通过弹簧的运动自动补偿。“抗扭转”命名意指圆柱在安装之后，不可自由地在 360° 角度内扭转。

C: 张紧装置行程。

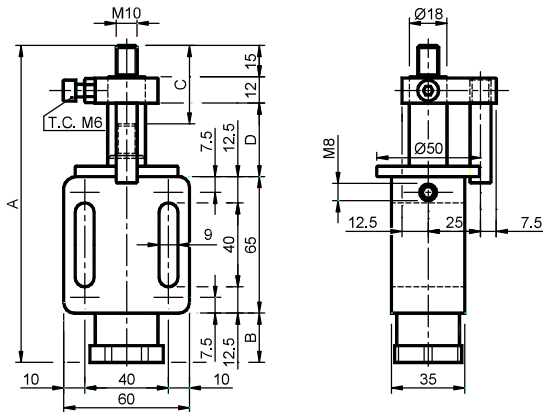
**MATERIALS** Body made of aluminium with brushing made of brass. Collar made of brass. Column, cap, cylinders, plate, stake, screw and spring made of steel.

**TREATMENTS** Sandblasted aluminium, components made of galvanized steel, greased raw spring.

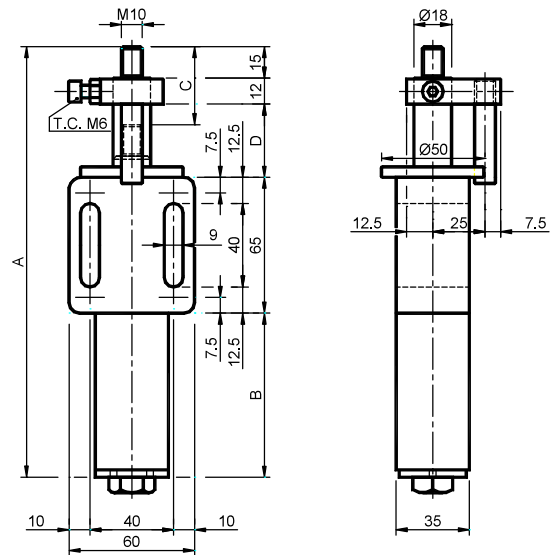
**USE** Elastic spring Element “anti-rotation”. The recover of chain- or belt- slack takes place automatically through the spring action. The word “anti-rotation” means that the column, when it is positioned, it isn't no more free to rotate to 360°. C: Tightener travel



**TBA 40**



**TBAP 50/60/70/80/90**



型号 Type	编号 N°	A	B	C	D	Newton	重量 Weight in Kg
TBA 10	TB013100	125.5	3.5	30	30	30 ÷ 100	0.58
TBA 20	TB013101	125.5	3.5	30	30	60 ÷ 170	0.58
TBA 30	TB013102	125.5	3.5	30	30	90 ÷ 250	0.58
TBA 40	TB013103	147.0	25.0	30	30	100 ÷ 400	0.65
TBAP 50	TB013104	160.5	38.5	30	30	180 ÷ 700	0.80
TBAP 60	TB013105	195.5	73.5	30	30	220 ÷ 1000	0.98
TBAP 70	TB013106	220.5	98.5	30	30	340 ÷ 1500	1.10
TBAP 80	TB013107	220.5	98.5	30	30	400 ÷ 2000	1.20
TBAP 90	TB013108	265.5	143.5	30	30	500 ÷ 2500	1.40

