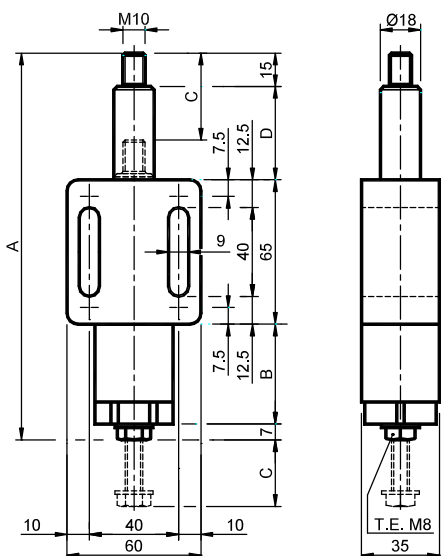



TEN BLOC“单向”弹簧式弹性组件 – 型号: TBB
TEN BLOC Elastic spring Element “One-directional” – Type: TBB




 **材料** 铝制主体配黄铜轴承。圆柱、堵盖、圆筒和弹簧均为钢制。

处理 喷砂铝，局部为镀锌钢，粗加工弹簧涂油。

应用 “单向”弹簧式弹性组件。链条或皮带的游隙通过弹簧的运动自动补偿。“单向”命名意指圆柱只能作推出动作，不可自由地重新进入。

C: 张紧装置行程。

 **MATERIALS** Body made of aluminium with brushing made of brass. Column, cap, cylinders, screw and spring made of steel.

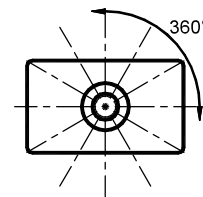
TREATMENTS Sandblasted aluminium, components made of galvanized steel, greased raw spring.

USE Elastic spring Element “one-directional”. The recover of chain- or belt- slack takes place automatically through the spring action. The word “one-directional” means that the column has a movement only in thrust and it isn't free to reenter.

C: Tightener travel.



型号 Type	编号 N°	A	B	C	D	Newton	重量 Weight in Kg
TBB 10	TB013080	145	28	30	30	30 ÷ 100	0.57
TBB 20	TB013081	145	28	30	30	60 ÷ 170	0.57
TBB 30	TB013082	145	28	30	30	90 ÷ 250	0.57
TBB 40	TB013083	162	45	30	30	100 ÷ 400	0.63
TBB 50	TB013084	187	70	30	30	180 ÷ 700	0.75
TBB 60	TB013085	234	105	40	42	220 ÷ 1000	0.95
TBB 70	TB013086	259	130	40	42	340 ÷ 1500	1.10
TBB 80	TB013087	259	130	40	42	400 ÷ 2000	1.10
TBB 90	TB013088	309	180	42	42	500 ÷ 2500	1.40



圆柱有可能绕其自身的轴扭转以便对配件进行360°的调节。

The column HAS the possibility to rotate on its own axis to allow an adjustment on the 360° of the contrast kit.

