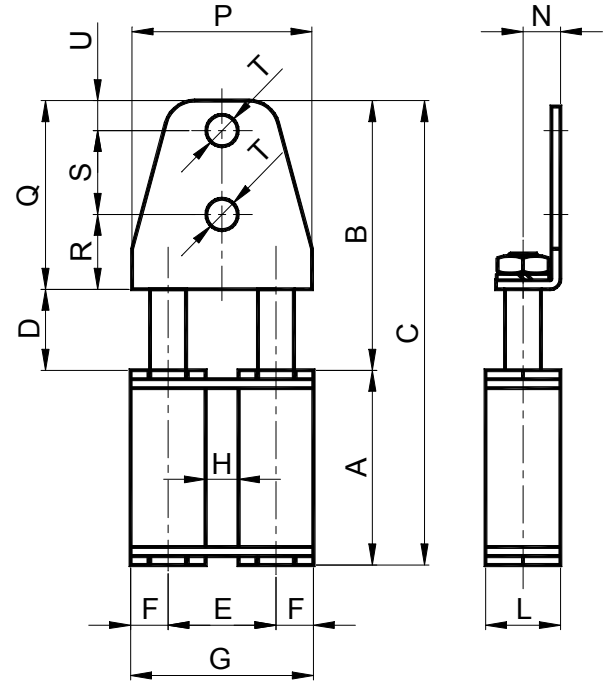


Asso 张紧装置 型号 AD / Asso Tensioner type AD



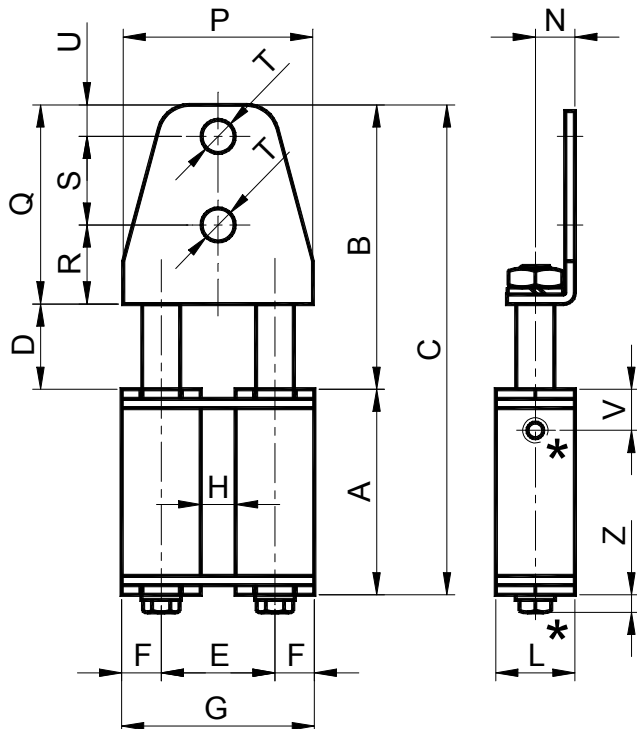
具双柱张紧装置组件。方形主体为铝制；联接部分、方柱和帽为镀锌钢制。轴衬为黄铜制。夹具为镀锌钢制。

🇬🇧 Tensioner element with double pin. The square bodies are made in aluminium; the junctions, the pins and the caps are in galvanized steel. The bushings are in brass. The bracket is in galvanized steel.

型号 Type	编号 n°	A	B	C	D	E	F	G	H	L	N	P	Q	R	S	ØT	U	V	Z	New.	重量 Weight [Kg]	型号 Type	编号 n°
AD1-8	AS010180	65	90	155	27	36	12.5	61	11	25	12.5	60	63	25	28	8.5	10	24	/	0-280	0.50	ADB1-8	AS010184
AD1-10	AS010181	65	90	155	27	36	12.5	61	11	25	12.5	60	63	25	28	10.5	10	24	/	0-280	0.50	ADB1-10	AS010185
AD1-16	AS010182	65	90	155	27	36	12.5	61	11	25	12.5	60	63	25	28	16	10	24	/	0-280	0.50	ADB1-16	AS010186
AD2-10	AS010190	79	112	191	35	42.5	15	72.5	12.5	30	15	70	77	40	25	10.5	12	27	/	0-420	0.90	ADB2-10	AS010194
AD2-12	AS010191	79	112	191	35	42.5	15	72.5	12.5	30	15	70	77	40	25	12.5	12	27	/	0-420	0.90	ADB2-12	AS010195
AD2-16	AS010192	79	112	191	35	42.5	15	72.5	12.5	30	15	70	77	40	25	16.5	12	27	/	0-420	0.90	ADB2-16	AS010196
AD3-16	AS010205	100.5	130	/	42	49.5	17.5	84.5	14.5	35	20	80	88	46	28	M16	14	/	7.1	0-800	1.50	ADB3-16	AS010209
AD3-20	AS010206	100.5	130	/	42	49.5	17.5	84.5	14.5	35	20	80	88	46	28	M20	14	/	7.1	0-800	1.50	ADB3-20	AS010210

Asso 张紧装置 型号 ADB / Asso Tensioner type ADB

具预加负荷用螺钉 / with preloading screw



具双柱张紧装置组件。方形主体为铝制，联接部分、方柱和帽为镀锌钢制。轴衬为黄铜制。夹具为镀锌钢制。ADB 张紧装置组件具预加负荷用螺钉(尺寸 1 和 2, STEI (V) 螺钉；尺寸 3, TE (Z) 螺钉)，以便简化安装操作。

🇬🇧 Tensioner element with double pin. The square bodies are made in aluminium; the junctions, the pins and the caps are in galvanized steel. The bushings are in brass. The bracket is in galvanized steel. The ADB tensioner element has a preloading screw (STEI (V) in the sizes 1 and 2; TE screw (Z) in the size 3) to make more easy the assembly operations.

* 预加负荷用螺钉 / Preloading screw