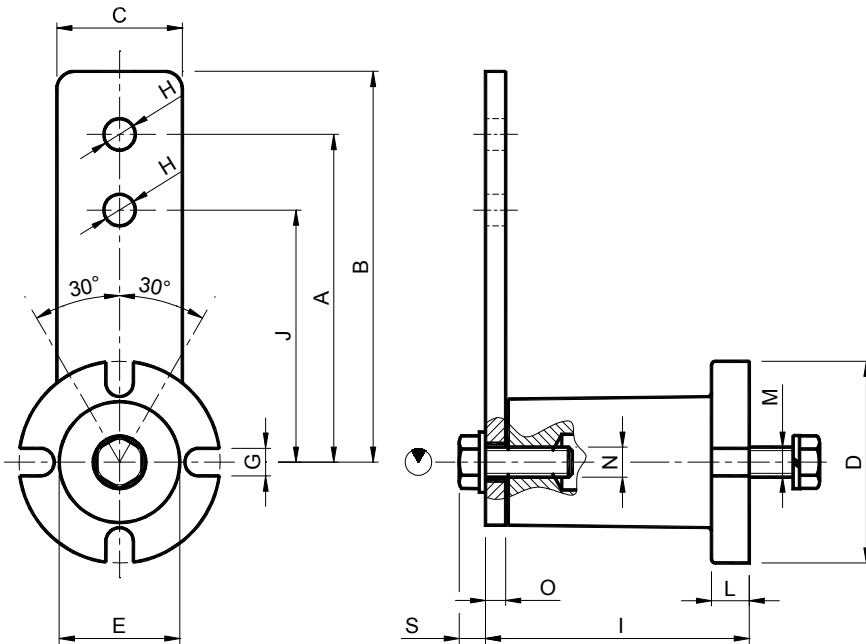




具 360° 放射性调整的张紧装置 (☉) - 型号 BE /  
 Tighteners elements with radial regulation of 360° (☉) - Type: BE

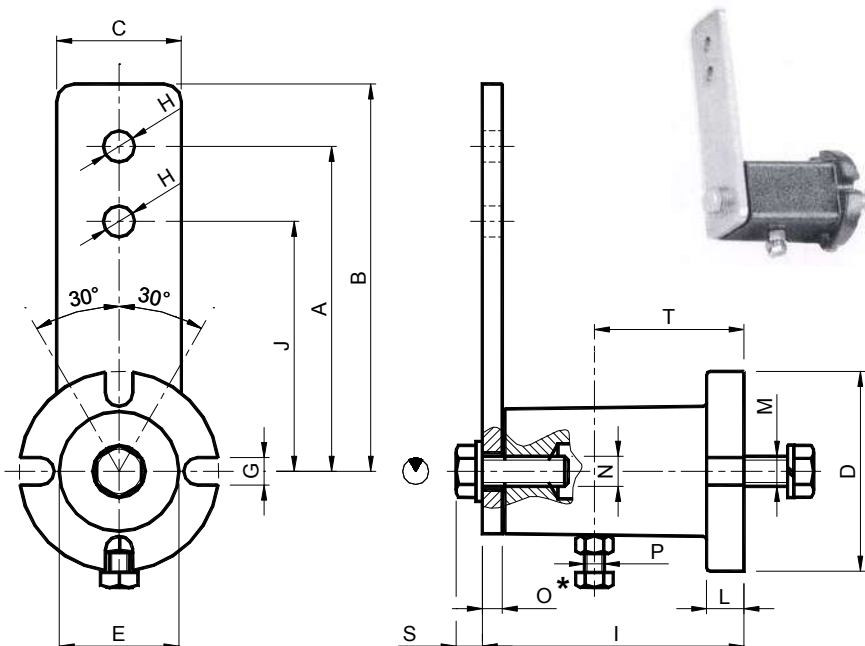



 扭转角度 ± 30°  
 工作温度从 -40°C 至 +80°C  
 手柄 360° 放射性调整。


 Rotation angle ± 30°  
 Operating temperature from -40°C to +80°C  
 Radial regulation of the lever of 360°.

型号 Type	编号 N°	A	B	C	∅ D	∅ E	G	∅ H	I	J	L	M	N	O	P	S	T	Newton 0°-30° 臂 A Arm A	Newton 0°-30° 臂 J Arm J	重量 Weight in Kg	型号 Type	编号 N°
BE 10	RE010290	80	90	25	40	20	7	8.5	50	60	6	M 6	M 8	5	M 4	7	25	0÷ 85	0÷ 113	0.28	BEP 10	RE010360
BE 20	RE010300	100	112,5	30	50	30	9	10.5	62	80	8	M 8	M10	5	M 6	9	35	0÷ 136	0÷ 170	0.48	BEP 20	RE010370
BE 30	RE010310	100	115	35	60	35	9	10.5	76	80	10	M10	M10	6	M 6	9	40	0÷ 340	0÷ 425	0.73	BEP 30	RE010380
BE 40	RE010320	130	155	50	80	48	11	12.5	105	100	15	M12	M12	8	M 8	11	60	0÷ 790	0÷1027	2.00	BEP 40	RE010390
BE 50	RE010330	175	205	65	100	62	13	20.5	136	140	15	M16	M20	10	M 8	16	80	0÷1600	0÷2000	4.20	BEP 50	RE010400
BE 60	RE010340	225	260	80	120	80	13	20.5	196	180	18	M20	M20	12	M10	16	115	0÷2550	0÷3190	7.00	BEP 60	RE010410
BE 70	RE010350	250	290	90	130	78	17	20.5	210	200	20	M24	M24	20	M12	19	115	0÷3950	0÷4950	9.60	BEP 70	RE010420

具 360° 放射性调整 (☉) 和预加负荷用螺钉 (\*) 的张紧装置组件 - 型号 BEP /  
 Tighteners elements with radial regulation of 360° (☉) and screw for preloading (\*) - Type: BEP



 扭转角度 ± 30°  
 工作温度从 -40°C 至 +80°C  
 手柄 360° 放射性调整。  
 为了便利安装、拆除和调整的操作，配有预加负荷系统(\*)

 Rotation angle ± 30°  
 Operating temperature from -40°C to +80°C  
 Radial regulation of the lever of 360°.  
 Equipped with preloading system (\*) in order to facilitate the mounting, dismantling and regulation operations.