

张紧装置附件 型号 TH / Accessories for chain tighteners type TH



具半圆形轮廓滑块，适用于小轴距和靠近链轮的安装。

材料：高分子密度聚乙烯。

工作速度 ≤ 20 m/min。

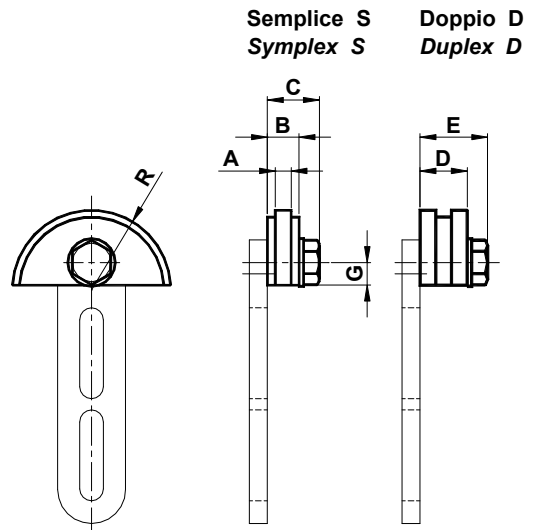
工作温度 $\leq 70^{\circ}\text{C}$ 。

Semi-circular sliding block suitable for reduced interaxis or for installation closed to the pinion.

Material: Polyethylene with high molecular density.

Operating speed ≤ 20 m/min.

Operating temperature $\leq 70^{\circ}\text{C}$.



型号 Type	编号 S	编号 D	A	B	C	D	E	G	R	张紧组件 Tension Elements	重量 Weight in kg	
											S	D
TH1-3/8"	AS010770	AS010780	5	10	19	18	27	10	35	1-10	0.07	0.08
TH1-1/2"	AS010771	AS010781	7	14	23	20.5	29.5	10	35	1-10	0.08	0.09
TH2-5/8"	AS010772	AS010782	9	16.5	25.5	25	34	12	45	2-10	0.10	0.11
TH2-3/4"	AS010773	AS010783	11	17.5	26.5	30	39	12	45	2-10	0.11	0.12
TH2-1"	AS010774	AS010784	16	18	28.5	47	57.5	20	55	2-12	0.18	0.26
TH2-1" 1/4	AS010775	AS010785	18	20	30.5	54	64.5	20	55	2-12	0.32	0.50
TH2-1" 1/2	AS010776	AS010786	24	24	34.5	72	82.5	20	55	2-12	0.33	0.54

皮带拉紧装置附件 / Accessories for belt-tighteners

聚酰胺制滚轮 DPH
Rollerset of polyamid DPH

* 具螺钉 M / With M screw



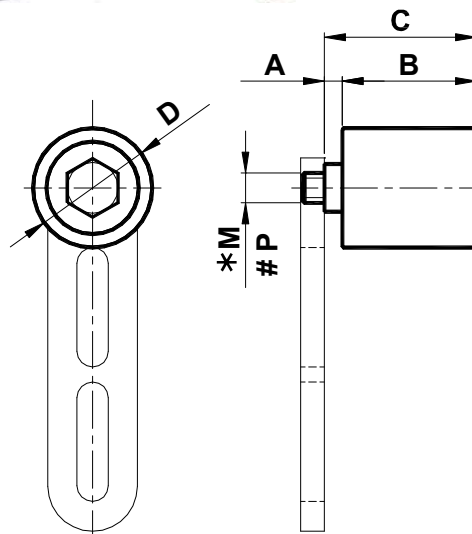
镀锌钢制滚轮 DAH
Rollerset of galvanized steel DAH

具螺钉 P / With P screw

塑性材料制 DPH 滚轮，在润滑轴承上安装。

工作温度 $\leq 70^{\circ}\text{C}$ 。

The DPH roller is in plastic material and it is installed on greased bearings. Operating temperature $\leq 70^{\circ}\text{C}$.



镀锌钢制 DAH 滚轮，在润滑轴承上安装。

工作温度 $\leq 100^{\circ}\text{C}$ 。

The DAH roller is in galvanized steel and it is installed on greased bearings. Operating temperature $\leq 100^{\circ}\text{C}$.

型号 Type	编号	重量 Weight in kg	A	B	C	D	M	P	张紧组件 Tension Elements	型号 Type	编号	重量 Weight in kg
DPH40	AS010796	0.13	6	45	51	40	M10	M10	1-10	DAH40	AS010801	0.32
DPH60	AS010797	0.33	8	60	68	60	M12	M16	2-12 / 2-16	DAH60	AS010802	0.80