

张紧装置附件 型号 TH / Accessories for chain tighteners type TH



具半圆形轮廓滑块，适用于小轴距和靠近链轮的安装。

材料：高分子密度聚乙烯。

工作速度 ≤ 20 m/min。

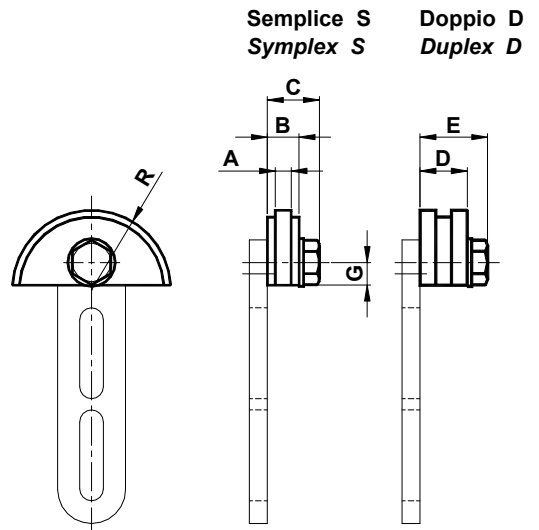
工作温度 $\leq 70^{\circ}\text{C}$ 。

Semi-circular sliding block suitable for reduced interaxis or for installation closed to the pinion.

Material: Polyethylene with high molecular density.

Operating speed ≤ 20 m/min.

Operating temperature $\leq 70^{\circ}\text{C}$.



| 型号 Type | 编号 S | 编号 D | A | B | C | D | E | G | R | 张紧组件 Tension Elements | 重量 Weight in kg | |
|------------|----------|----------|----|------|------|------|------|----|----|--------------------------|-----------------|------|
| | | | | | | | | | | | S | D |
| TH1-3/8" | AS010770 | AS010780 | 5 | 10 | 19 | 18 | 27 | 10 | 35 | 1-10 | 0.07 | 0.08 |
| TH1-1/2" | AS010771 | AS010781 | 7 | 14 | 23 | 20.5 | 29.5 | 10 | 35 | 1-10 | 0.08 | 0.09 |
| TH2-5/8" | AS010772 | AS010782 | 9 | 16.5 | 25.5 | 25 | 34 | 12 | 45 | 2-10 | 0.10 | 0.11 |
| TH2-3/4" | AS010773 | AS010783 | 11 | 17.5 | 26.5 | 30 | 39 | 12 | 45 | 2-10 | 0.11 | 0.12 |
| TH2-1" | AS010774 | AS010784 | 16 | 18 | 28.5 | 47 | 57.5 | 20 | 55 | 2-12 | 0.18 | 0.26 |
| TH2-1" 1/4 | AS010775 | AS010785 | 18 | 20 | 30.5 | 54 | 64.5 | 20 | 55 | 2-12 | 0.32 | 0.50 |
| TH2-1" 1/2 | AS010776 | AS010786 | 24 | 24 | 34.5 | 72 | 82.5 | 20 | 55 | 2-12 | 0.33 | 0.54 |

皮带拉紧装置附件 / Accessories for belt-tighteners

聚酰胺制滚轮 DPH
Rollerset of polyamid DPH

* 具螺钉 M / With M screw



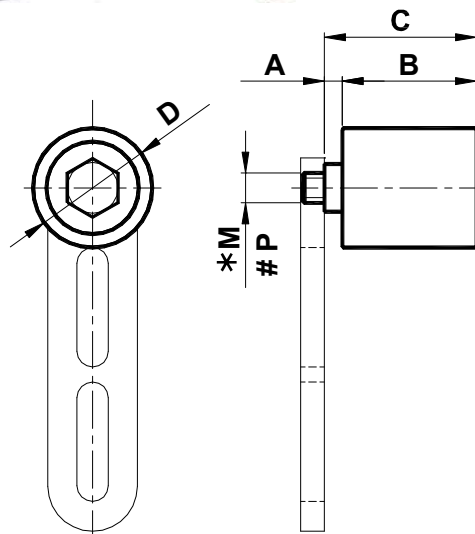
镀锌钢制滚轮 DAH
Rollerset of galvanized steel DAH

具螺钉 P / With P screw

塑性材料制 DPH 滚轮，在润滑轴承上安装。

工作温度 $\leq 70^{\circ}\text{C}$ 。

The DPH roller is in plastic material and it is installed on greased bearings. Operating temperature $\leq 70^{\circ}\text{C}$.



镀锌钢制 DAH 滚轮，在润滑轴承上安装。

工作温度 $\leq 100^{\circ}\text{C}$ 。

The DAH roller is in galvanized steel and it is installed on greased bearings. Operating temperature $\leq 100^{\circ}\text{C}$.

| 型号 Type | 编号 | 重量 Weight in kg | A | B | C | D | M | P | 张紧组件 Tension Elements | 型号 Type | 编号 | 重量 Weight in kg |
|------------|----------|--------------------|---|----|----|----|-----|-----|--------------------------|------------|----------|--------------------|
| DPH30 | AS010795 | 0.06 | 3 | 35 | 38 | 30 | M 8 | M 8 | 1-8 | DAH30 | AS010800 | 0.14 |
| DPH40 | AS010796 | 0.13 | 6 | 45 | 51 | 40 | M10 | M10 | 1-10 | DAH40 | AS010801 | 0.32 |
| DPH60 | AS010797 | 0.33 | 8 | 60 | 68 | 60 | M12 | M16 | 2-12 / 2-16 | DAH60 | AS010802 | 0.80 |