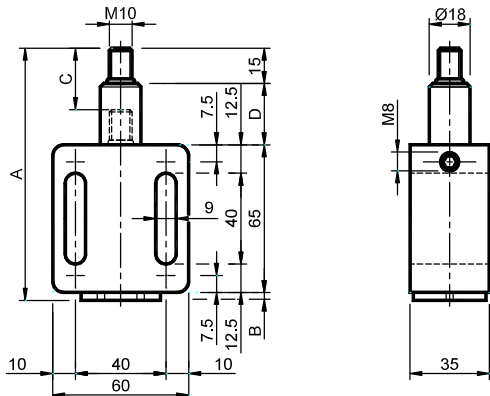


TEN BLOC 弹簧式弹性组件 – 型号: TB e TBa

TEN BLOC Elastic spring elements – 型号: TB e TBa

TB – TBa 10/20/30



材料 铝制主体配黄铜轴承。圆柱、堵盖、圆筒和弹簧均为钢制。

处理 喷砂铝，局部为镀锌钢，粗加工弹簧涂油。

应用 弹簧式弹性组件具备预加压系统。链条或皮带的游隙通过弹簧的运动自动补偿。

C: 张紧装置行程。

MATERIALS Body made of aluminium with brushing made of brass. Column, cap, cylinders, screws and spring made of steel.

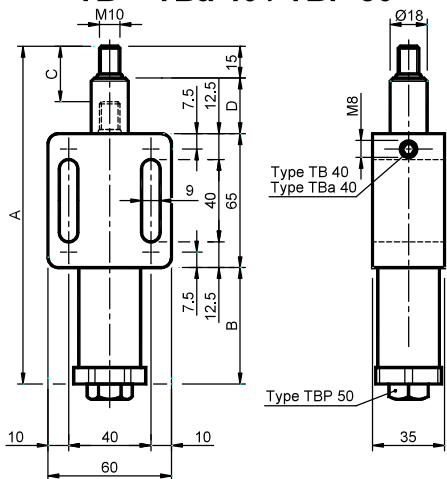
TREATMENTS Sandblasted aluminium, components made of galvanized steel, greased raw spring.

USE Elastic spring Element with preloading system. The recover of chain- or belt-slack takes place automatically through the spring action.

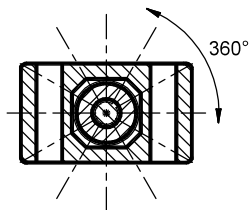
C: Tightener travel.



TB – TBa 40 / TBP 50



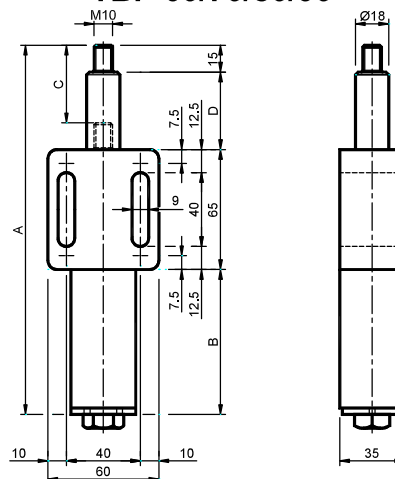
型号 TB – Type TB:



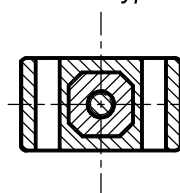
圆柱有可能绕其自身的轴扭转以便对张紧装置配件进行 360° 的调整。

The column HAS the possibility to rotate on its own axis to allow an adjustment on the 360° of the chaintightener kit.

TBP 60/70/80/90



型号 TBa – Type TBa:



圆柱不可能绕其自身的轴扭转。这个组件尤其适合与张紧装置配件一并使用。

The column HAS NOT the possibility to rotate on its own axis. This element is especially useful with the belt tighteners.

型号 Type	编号 N°	A	B	C	D	Newton	型号 Type	编号 N°	重量 - Weight in Kg
TB 10	TB013020	110.5	3.5	26	27	30 ÷ 100	TBa 10	TB013060	0.40
TB 20	TB013021	110.5	3.5	25	27	60 ÷ 170	TBa 20	TB013061	0.40
TB 30	TB013022	110.5	3.5	24	27	90 ÷ 250	TBa 30	TB013062	0.40
TB 40	TB013023	132.0	25.0	27	27	100 ÷ 400	TBa 40	TB013063	0.47
TBP 50	TB013024	180.0	58.0	42	42	180 ÷ 700			0.60
TBP 60	TB013025	210.5	88.5	42	42	220 ÷ 1000			0.85
TBP 70	TB013026	235.5	113.5	42	42	340 ÷ 1500			1.00
TBP 80	TB013027	235.5	113.5	42	42	400 ÷ 2000			1.00
TBP 90	TB013028	280.5	158.5	42	42	500 ÷ 2500			1.28