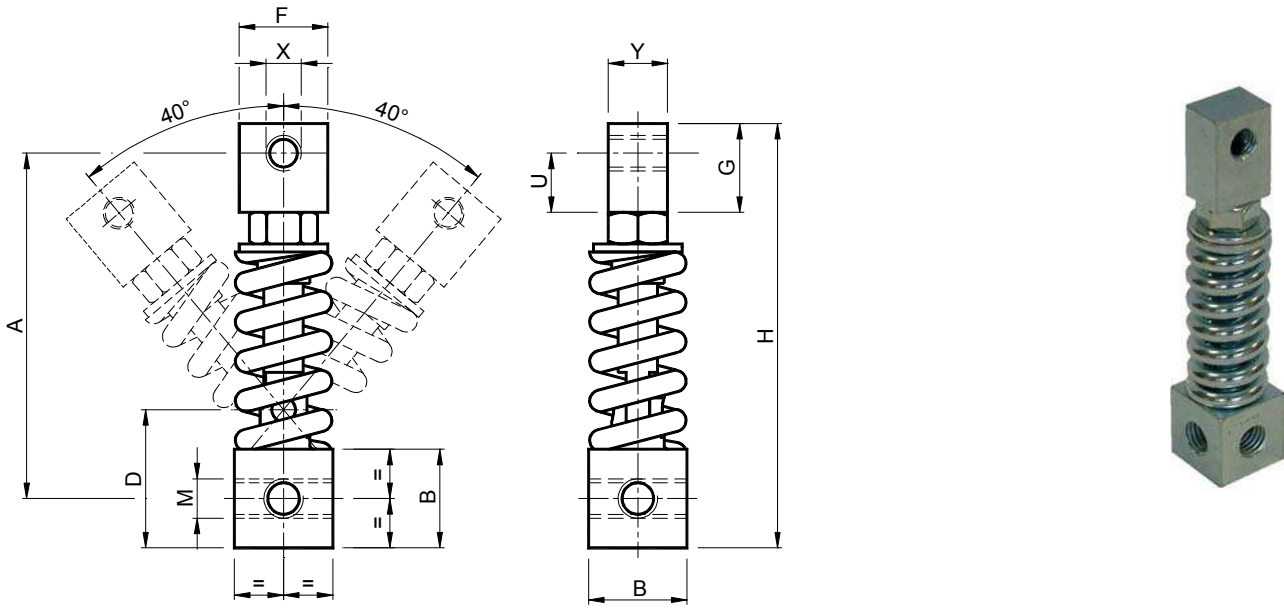


ARCO 弹性组件 – 型号: AB ($\pm 40^\circ$) / ARCO Elastic elements – Type: AB ($\pm 40^\circ$)



材料 钢。扭转销为黄铜制。

处理 白色镀锌。

应用 扭转角度 $\pm 40^\circ$ 。

工作温度从 -30°C 到 $+120^\circ\text{C}$ 。

MATERIALS Steel. Rotation pin made of brass.

TREATMENTS White galvanization.

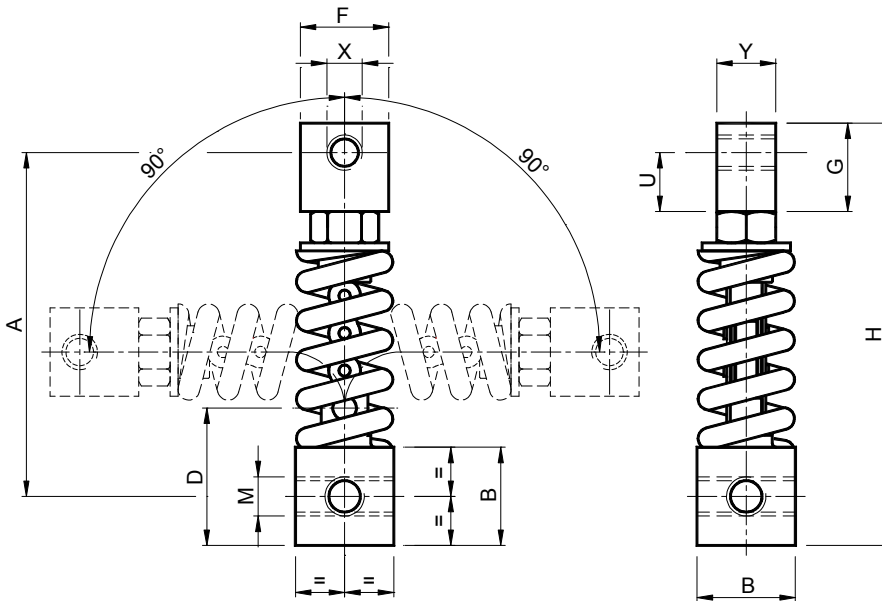
USE Rotation angle $\pm 40^\circ$.

Working temperature from -30°C to $+120^\circ\text{C}$.



| $\pm 40^\circ$ | | A | B | D | F | G | H | M | U | X | Y | Newton $0^\circ \div 40^\circ$ | 重量 Weight in Kg |
|----------------|----------|-----|----|----|----|----|-------|-----|------|-----|----|-----------------------------------|--------------------|
| 型号 Type | 编号 N° | | | | | | | | | | | | |
| AB 10-8 | AR070280 | 80 | 25 | 35 | 20 | 30 | 102.5 | M8 | 20 | M8 | 15 | 0 ÷ 90 | 0.24 |
| AB 10-10 | AR070285 | 80 | 25 | 35 | 20 | 30 | 102.5 | M8 | 20 | M10 | 15 | 0 ÷ 90 | 0.24 |
| AB 20-10 | AR070290 | 100 | 25 | 35 | 20 | 30 | 122.5 | M10 | 20 | M10 | 15 | 0 ÷ 135 | 0.31 |
| AB 20-16 | AR070295 | 100 | 25 | 35 | 30 | 30 | 122.5 | M10 | 20 | M16 | 15 | 0 ÷ 135 | 0.33 |
| AB 30-10 | AR070300 | 100 | 25 | 35 | 20 | 30 | 122.5 | M12 | 20 | M10 | 15 | 0 ÷ 275 | 0.31 |
| AB 30-16 | AR070305 | 100 | 25 | 35 | 30 | 30 | 122.5 | M12 | 20 | M16 | 15 | 0 ÷ 275 | 0.33 |
| AB 40-12 | AR070310 | 130 | 35 | 50 | 30 | 35 | 160 | M16 | 22.5 | M12 | 20 | 0 ÷ 750 | 0.80 |
| AB 40-16 | AR070315 | 130 | 35 | 50 | 30 | 35 | 160 | M16 | 22.5 | M16 | 20 | 0 ÷ 750 | 0.78 |
| AB 50-16 | AR070320 | 175 | 50 | 70 | 45 | 45 | 215 | M20 | 30 | M16 | 30 | 0 ÷ 1400 | 2.77 |
| AB 50-20 | AR070325 | 175 | 50 | 70 | 45 | 45 | 215 | M20 | 30 | M20 | 30 | 0 ÷ 1400 | 2.75 |
| AB 60-20 | AR070330 | 220 | 70 | 95 | 50 | 50 | 270 | M24 | 35 | M20 | 35 | 0 ÷ 2360 | 6.30 |

ARCO 弹性组件 – 型号: ABN ($\pm 90^\circ$) / ARCO Elastic elements – Type: ABN ($\pm 90^\circ$)



材料 钢。

处理 白色镀锌。

应用 扭转角度 $\pm 90^\circ$ 。

工作温度从 -30°C 到 $+120^\circ\text{C}$ 。

MATERIALS Steel.
TREATMENTS White galvanization.
USE Rotation angle $\pm 90^\circ$.
Working temperature from -30°C to $+120^\circ\text{C}$.



| $\pm 90^\circ$ | | A | B | D | F | G | H | M | U | X | Y | Newton $0^\circ \div 90^\circ$ | 重量 Weight in Kg |
|----------------|----------|-----|----|----|----|----|-------|-----|------|-----|----|-----------------------------------|--------------------|
| 型号 Type | 编号 N° | | | | | | | | | | | | |
| ABN 10-8 | AR070350 | 80 | 25 | 35 | 20 | 30 | 102.5 | M8 | 20 | M8 | 15 | 0 ÷ 90 | 0.24 |
| ABN 10-10 | AR070355 | 80 | 25 | 35 | 20 | 30 | 102.5 | M8 | 20 | M10 | 15 | 0 ÷ 90 | 0.24 |
| ABN 20-10 | AR070360 | 100 | 25 | 35 | 20 | 30 | 122.5 | M10 | 20 | M10 | 15 | 0 ÷ 135 | 0.31 |
| ABN 20-16 | AR070365 | 100 | 25 | 35 | 30 | 30 | 122.5 | M10 | 20 | M16 | 15 | 0 ÷ 135 | 0.33 |
| ABN 30-10 | AR070370 | 100 | 25 | 35 | 20 | 30 | 122.5 | M12 | 20 | M10 | 15 | 0 ÷ 275 | 0.31 |
| ABN 30-16 | AR070375 | 100 | 25 | 35 | 30 | 30 | 122.5 | M12 | 20 | M16 | 15 | 0 ÷ 275 | 0.33 |
| ABN 40-12 | AR070380 | 130 | 35 | 50 | 30 | 35 | 160 | M16 | 22.5 | M12 | 20 | 0 ÷ 750 | 0.80 |
| ABN 40-16 | AR070385 | 130 | 35 | 50 | 30 | 35 | 160 | M16 | 22.5 | M16 | 20 | 0 ÷ 750 | 0.78 |
| ABN 50-16 | AR070390 | 175 | 50 | 70 | 45 | 45 | 215 | M20 | 30 | M16 | 30 | 0 ÷ 1400 | 2.77 |
| ABN 50-20 | AR070395 | 175 | 50 | 70 | 45 | 45 | 215 | M20 | 30 | M20 | 30 | 0 ÷ 1400 | 2.75 |
| ABN 60-20 | AR070400 | 220 | 70 | 95 | 50 | 50 | 270 | M24 | 35 | M20 | 35 | 0 ÷ 2360 | 6.30 |