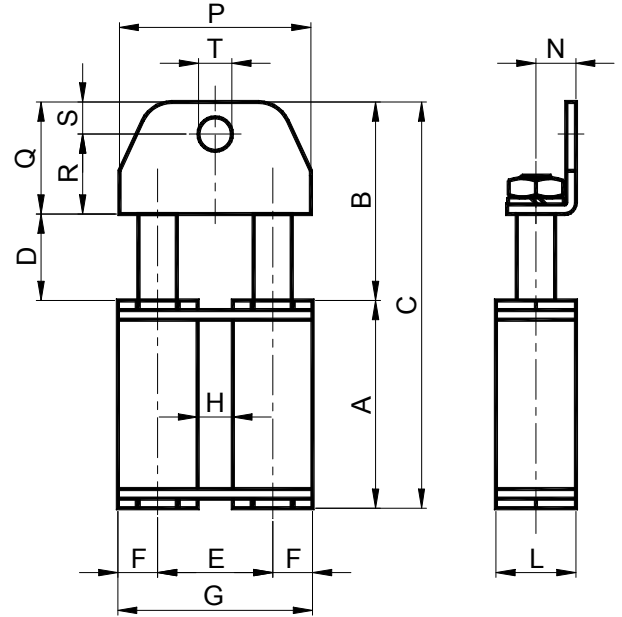


## Asso 张紧装置 型号 AF / Asso Tensioner type AF



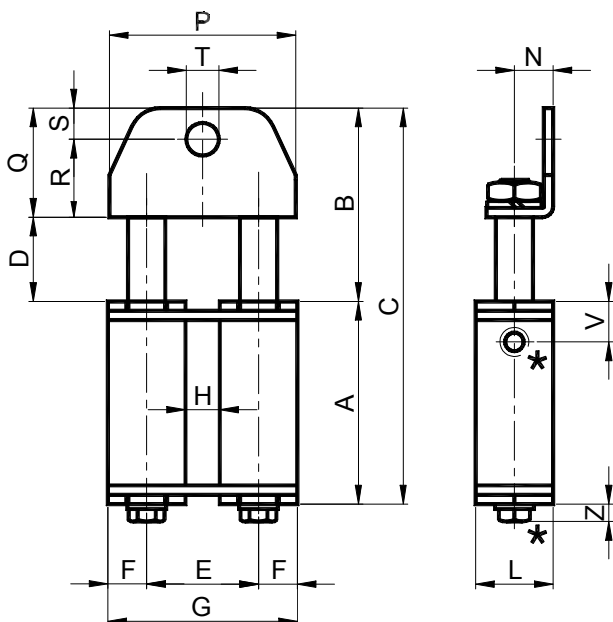
具双柱张紧装置组件。方形主体为铝制；联接部分、方柱和帽为镀锌钢制。轴衬为黄铜制。夹具为镀锌钢制。

Tensioner element with double pin. The square bodies are made in aluminium; the junctions, the pins and the caps are in galvanized steel. The bushings are in brass. The bracket is in galvanized steel.

型号 Type	编号 n°	A	B	C	D	E	F	G	H	L	N	P	Q	R	S	ØT	V	Z	New.	重量 Weight [Kg]	型号 Type	编号 n°
AF1-8	AS010024	65	62	127	27	36	12.5	61	11	25	12.5	60	35	25	10	8.5	24	/	0-280	0.40	AFB1-8	AS010028
AF1-10	AS010025	65	62	127	27	36	12.5	61	11	25	12.5	60	35	25	10	10.5	24	/	0-280	0.40	AFB1-10	AS010029
AF1-16	AS010026	65	62	127	27	36	12.5	61	11	25	12.5	60	35	25	10	16	24	/	0-280	0.40	AFB1-16	AS010030
AF2-10	AS010035	79	85	164	35	42.5	15	72.5	12.5	30	15	70	50	38	12	10.5	27	/	0-420	0.70	AFB2-10	AS010039
AF2-12	AS010036	79	85	164	35	42.5	15	72.5	12.5	30	15	70	50	38	12	12.5	27	/	0-420	0.70	AFB2-12	AS010040
AF2-16	AS010037	79	85	164	35	42.5	15	72.5	12.5	30	15	70	50	38	12	16.5	27	/	0-420	0.70	AFB2-16	AS010041
AF3-14	AS010047	100.5	102	202.5	42	49.5	17.5	84.5	14.5	35	20	80	60	46	14	M14	/	7.1	0-800	1.25	AFB3-14	AS010053
AF3-16	AS010048	100.5	102	202.5	42	49.5	17.5	84.5	14.5	35	20	80	60	46	14	M16	/	7.1	0-800	1.25	AFB3-16	AS010054
AF3-20	AS010049	100.5	102	202.5	42	49.5	17.5	84.5	14.5	35	20	80	60	46	14	M20	/	7.1	0-800	1.25	AFB3-20	AS010055

## Asso 张紧装置 型号 AFB / Asso Tensioner type AFB

具预加负荷用螺钉 / with preloading screw



具双柱张紧装置组件。方形主体为铝制；联接部分、方柱和帽为镀锌钢制。轴衬为黄铜制。夹具为镀锌钢制。AFB 张紧装置组件具预加负荷用螺钉(尺寸 1 和 2, STEI (N)螺钉；尺寸 3, TE (Z) 钉),以便简化安装操作。

Tensioner element with double pin. The square bodies are made in aluminium; the junctions, the pins and the caps are in galvanized steel. The bushings are in brass. The bracket is in galvanized steel. The AFB tensioner element has a preloading screw (STEI screw (N) in the sizes 1 and 2; TE screw (Z) in the size 3) to make more easy the assembly operations.

\* 预加负荷用螺钉 / Preloading screw