

附件列表 / Accessories table

链条 - Chain DIN 8187		型号 Type					尺寸 Size	
ISO	节距 Pitch	ST	SP	STL	SPL	SCL		
		第 22 页	第 22 页	第 20 页	第 21 页	第 21 页		
06-B1	3/8"x7/32"	ST 1-2 3/8" S	SP 1-2 3/8" S	STL 1-2 3/8" S	SPL 1-2 3/8" S	SCL 1-2 3/8" S	1	
06-B1	3/8"x7/32"	ST 1-2 3/8" S	SP 1-2 3/8" S	STL 1-2 3/8" S	SPL 1-2 3/8" S	SCL 1-2 3/8" S	2	
08-B1	1/2"x5/16"	ST 1-2 1/2" S	SP 1-2 1/2" S	STL 1-2 1/2" S	SPL 1-2 1/2" S	SCL 1-2 1/2" S	1	
08-B1	1/2"x5/16"	ST 1-2 1/2" S	SP 1-2 1/2" S	STL 1-2 1/2" S	SPL 1-2 1/2" S	SCL 1-2 1/2" S	2	
10-B1	5/8"x3/8"	ST 2-3 5/8" S						2
10-B1	5/8"x3/8"	ST 2-3 5/8" S	SP 3 5/8" S	STL 3 5/8" S	SPL 3 5/8" S	SCL 3 5/8" S	3	
12-B1	3/4"x7/16"	ST 3 3/4" S	SP 3 3/4" S	STL 3 3/4" S	SPL 3 3/4" S	SCL 3 3/4" S	3	
16-B1	1"x17.02mm	ST 3 1" S						3
06-B2	3/8"x7/32"	ST 1-2 3/8" D	SP 1-2 3/8" D	STL 1-2 3/8" D	SPL 1-2 3/8" D	SCL 1-2 3/8" D	1	
06-B2	3/8"x7/32"	ST 1-2 3/8" D	SP 1-2 3/8" D	STL 1-2 3/8" D	SPL 1-2 3/8" D	SCL 1-2 3/8" D	2	
08-B2	1/2"x5/16"	ST 1-2 1/2" D	SP 1-2 1/2" D	STL 1-2 1/2" D	SPL 1-2 1/2" D	SCL 1-2 1/2" D	1	
08-B2	1/2"x5/16"	ST 1-2 1/2" D	SP 1-2 1/2" D	STL 1-2 1/2" D	SPL 1-2 1/2" D	SCL 1-2 1/2" D	2	
10-B2	5/8"x3/8"	ST 2-3 5/8" D						2
10-B2	5/8"x3/8"	ST 2-3 5/8" D	SP 3 5/8" D	STL 3 5/8" D	SPL 3 5/8" D	SCL 3 5/8" D	3	
12-B2	3/4"x7/16"	ST 3 3/4" D	SP 3 3/4" D				3	
16-B2	1"x17.02mm	ST 3 1" D					3	

张紧装置附件 型号 STL / Accessories for chain tighteners type STL



具半圆形轮廓滑块，适用于小轴距和靠近链轮的安装。

材料：高分子密度聚乙烯。

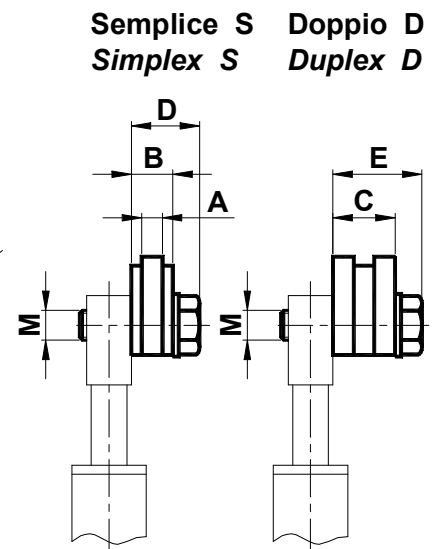
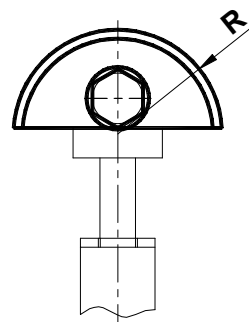
工作速度 ≤ 20 m/min。工作温度 $\leq 70^\circ\text{C}$ 。

Semi-circular sliding block suitable for reduced interaxis or for installation closed to the pinion.

Material: Polyethylene with high molecular density.

Operating speed ≤ 20 m/min.

Sliding block operating temperature $\leq 70^\circ\text{C}$.



型号 Type	编号 S	编号 D	A	B	C	D	E	M	R	重量 Weight in kg	
										S	D
STL1-2 3/8"	AS010660	AS010675	5	10	18	19	27	M10	35	0.07	0.08
STL1-2 1/2"	AS010661	AS010676	7	14	20.5	23	29.5	M10	35	0.08	0.09
STL3 5/8"	AS010664	AS010679	9	16.5	25	25.5	34	M10	45	0.10	0.11
STL3 3/4"	AS010665	/	11	17.5	/	26.5	/	M10	45	0.10	/