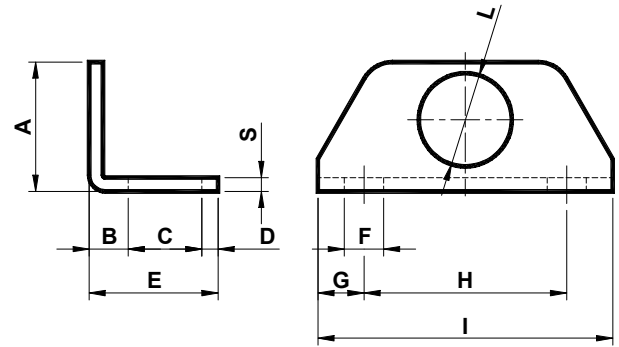


## Accessoire Bride Type L / Accessory Support Type L



La bride est en acier zingué.  
The support is made in galvanized steel.



Type Type	code	A	B	C	D	E	F	G	H	I	L	S	Poids Weight en kg
L1	AS010575	28	8.5	16	3.5	28	8.5	10	44	64	20.2	3	0.05
L2	AS010576	33	11	17.5	4.5	32	8.5	10	50	70	24.2	3	0.07
L3	AS010577	39	12	25	5.5	42.5	10.5	12.5	60	85	30.2	4	0.09

### EXEMPLE D'ANCRAGE \ EXAMPLE OF ANCHORAGE

