


链条张紧装置配套元件 / KIT for chain tighteners


链条张紧链轮 (具国产轴承) – 型号: ZN
Sprocket wheelset (with national bearing) – Type: ZN

链条张紧链轮 (具 INA 轴承) – 型号: ZI
Sprocket wheelset (with INA bearing) – Type: ZI
 链轮由一个安装在底部放大的轴承上的钢冠组成。

这些元件可包含国产轴承 (ZN) 或者 INA 轴承 (ZI)。

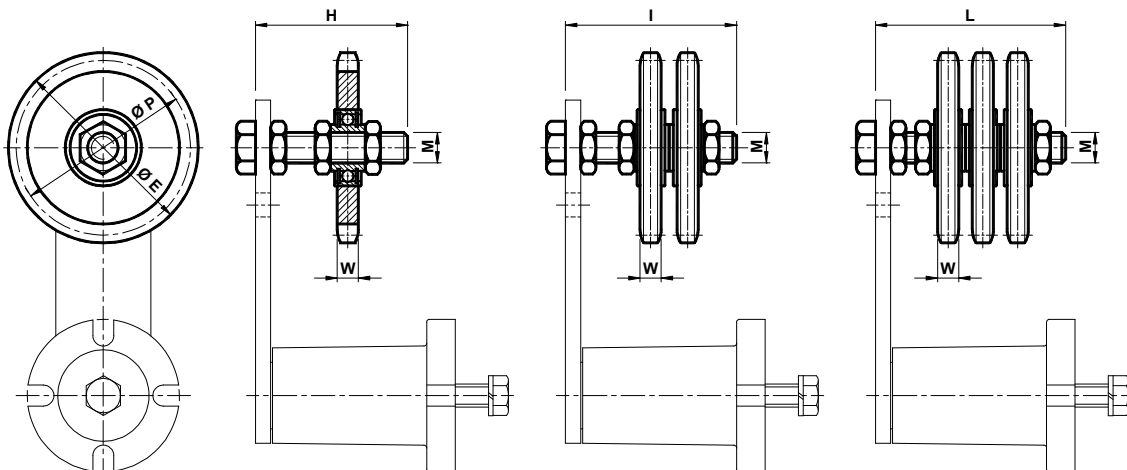
工作速度 ≤ 60 米 / 分。

工作温度 ≤ 100°C。

 The pinion consists of a steel crown, installed on enlarged bearings. Units are supplied with national bearings. Units are supplied with national (ZN) or INA (ZI) bearings. Operating speed ≤ 60 m/min. Operating temperature ≤ 100°C.

ZN: 链条张紧链轮 (具国产轴承) ZN: Sprocket wheelset (with national bearing)				ZI: 链条张紧链轮 (具 INA 轴承) ZI: Sprocket wheelset (with INA bearing)				尺寸 尺寸	ØE	H	I	L	M	ØP	Z	W	重量 Weight in Kg			
型号 Type	S 编号 N°	D 编号 N°	T 编号 N°	链条 Chain	型号 Type	S 编号 N°	D 编号 N°										T 编号 N°	S.	D.	T.
ZN 20-1	RE011470	RE011507		3/8" x 7/32"	ZI 20-1	RE011580	RE011618											20	68.0	55
ZN 30-1	RE011471	RE011508	RE011545	3/8" x 7/32"	ZI 30-1	RE011581	RE011619	RE011655	30	68.0	55	60	M16	63.90	21	5.3	0.29	0.42	0.55	
ZN 30-2	RE011474	RE011511		1/2" x 5/16"	ZI 30-2	RE011584	RE011622		30	77.8	55	60	M16	73.14	18	7.2	0.39	0.62		
ZN 40-2			RE011549	1/2" x 5/16"	ZI 40-2			RE011659	40	77.8		90	M16	73.14	18	7.2			0.88	
ZN 30-3	RE011477	RE011514		5/8" x 3/8"	ZI 30-3	RE011587	RE011625		30	93.0	60	70	M16	86.39	17	9.1	0.54	0.91		
ZN 40-3	RE011478	RE011515	RE011553	5/8" x 3/8"	ZI 40-3	RE011588	RE011626	RE011663	40	93.0	80	90	M16	86.39	17	9.1	0.57	0.94	1.30	
ZN 50-3			RE011554	5/8" x 3/8"	ZI 50-3			RE011664	50	93.0		120	M16	86.39	17	9.1			1.36	
ZN 30-4	RE011480			3/4" x 7/16"	ZI 30-4	RE011590			30	99.8	60		M16	91.63	15	11.1	0.66			
ZN 40-4	RE011481	RE011518	RE011557	3/4" x 7/16"	ZI 40-4	RE011591	RE011629	RE011667	40	99.8	80	90	M16	91.63	15	11.1	0.69	1.18	1.66	
ZN 50-4	RE011482	RE011519	RE011558	3/4" x 7/16"	ZI 50-4	RE011592	RE011630	RE011668	50	99.8	80	90	M16	91.63	15	11.1	0.70	1.20	1.72	
ZN 40-5	RE011485	RE011521		1" x 17.02mm	ZI 40-5	RE011596	RE011632		40	109.0	80	100	M20	98.14	12	16.2	1.05	1.83		
ZN 50-5	RE011486	RE011522	RE011560	1" x 17.02mm	ZI 50-5	RE011597	RE011633	RE011670	50	109.0	100	120	M20	98.14	12	16.2	1.09	1.87	2.61	
ZN 60-5			RE011561	1" x 17.02mm	ZI 60-5			RE011671	60	109.0		160	M20	98.14	12	16.2			2.69	
ZN 60-6	RE011490	RE011527	RE011564	1"1/4 x 3/4"	ZI 60-6	RE011601	RE011638	RE011674	60/70	147.8	100	140	M20	132.65	13	18.5	2.19	4.11	5.99	
ZN 60-7	RE011494	RE011531	RE011567	1"1/2 x 1"	ZI 60-7	RE011605	RE011677	RE011677	60/70	150.0	140	140	M20	135.21	11	24.1	2.37	4.31	6.33	

如有需要，由客户负责扩大弹性组件上的孔 / The client must widen the hole in the elastic element where necessary


 单 "S"
 Simplex "S"

 双 "D"
 Duplex "D"

 三 "T"
 Triplex "T"