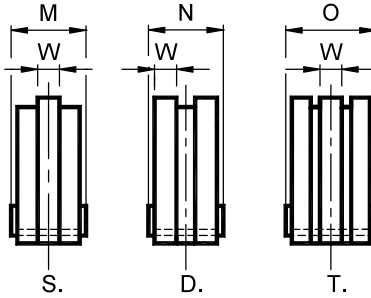
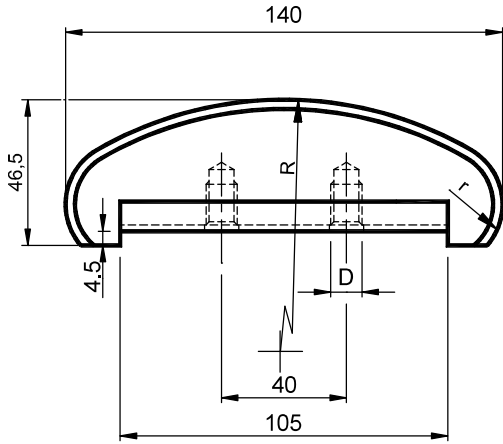


张紧装置配套元件 / KIT for chain tighteners

聚乙烯滑块 – 型号: **V80** / Polyethylene sliding block – Type: **V80**

仅用于 Ten Bloc 弹性组件 – 型号: **TB80A/F**

For the Elastic Elements Ten Bloc only – Type: **TB80A/F**



材料 高分子密度聚乙烯滑块。配备钢制坚硬轮廓。

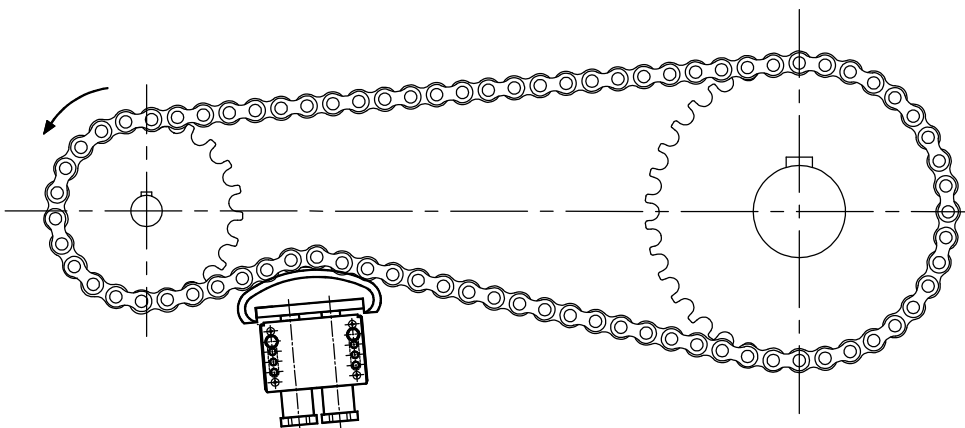
应用 具半圆形轮廓适用于大轴距。

工作速度 ≤20 米 / 分。

工作温度 ≤70°C。

MATERIALS Sliding block made of polyethylene, high molecular density, with steel profile stiffness.
USE Semicircular profile wide-ranging indicated for large distances between centres.
Operating speed ≤20 m/min.
Operating temperature ≤70°C.

型号 Type	S 编号 N°	D 编号 N°	T 编号 N°	链条 Chain	r	R	W	M	N	O	D	重量 Weight in Kg		
												S.	D.	T.
V80 10-0	TB013300	TB013310	TB013320	8mm	20	120	2.5	24	24	24	M10	0.13	0.14	0.15
V80 10-1	TB013301	TB013311	TB013321	3/8" x 7/32"	20	120	5	24	24	29	M10	0.14	0.14	0.16
V80 20-1	TB013301	TB013311	TB013321	3/8" x 7/32"	20	120	5	24	24	29	M10	0.14	0.14	0.16
V80 10-2	TB013302	TB013312	TB013322	1/2" x 5/16"	20	120	7	24	24	29	M10	0.14	0.14	0.16
V80 20-2	TB013302	TB013312	TB013322	1/2" x 5/16"	20	120	7	24	24	29	M10	0.14	0.14	0.16
V80 30-2	TB013302	TB013312	TB013322	1/2" x 5/16"	20	120	7	24	24	29	M10	0.14	0.14	0.16
V80 30-3	TB013303	TB013313	TB013323	5/8" x 3/8"	20	140	9	24	24	29	M10	0.16	0.18	0.36
V80 40-3	TB013303	TB013313	TB013323	5/8" x 3/8"	20	140	9	24	24	29	M10	0.16	0.18	0.36
V80 30-4	TB013304	TB013314	TB013324	3/4" x 7/16"	20	140	11	24	34	46	M10	0.18	0.33	0.41
V80 40-4	TB013304	TB013314	TB013324	3/4" x 7/16"	20	140	11	24	34	46	M10	0.18	0.33	0.41
V80 40-5	TB013305	TB013315	TB013325	1" x 17.02mm	20	140	16	29	49	54	M10	0.26	0.56	0.86
V80 50-5	TB013305	TB013315	TB013325	1" x 17.02mm	20	140	16	29	49	54	M10	0.26	0.56	0.86
V80 50-6	TB013306	TB013316	TB013326	1"1/4 x 3/4"	20	140	18	29	/	/	M10	0.26	0.60	0.90
V80 50-7	TB013307	TB013317	TB013327	1"1/2 x 1"	20	140	24	29	/	/	M10	0.30	0.70	1.00



应用实例
Application example

