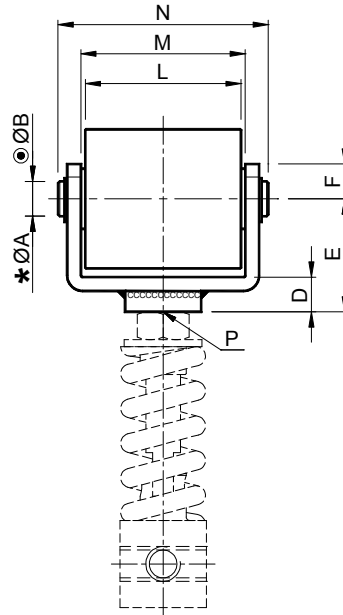
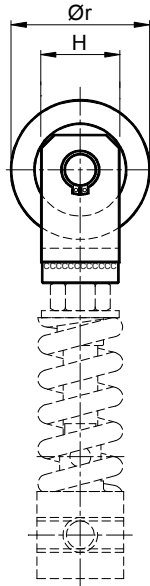


皮带张紧装置配套元件 / KIT for belt-tighteners

在支架上的镀锌钢滚轮 – 型号: **RAU** / 在支架上的聚酰胺滚轮 – 型号: **RAP**
Roller set in galvanized steel – Type: **RAU** / Roller set in polyamide – Type: **RAP**



材料 RAU: 支架、轴承、中心轴、垫圈和滚轮均为钢制。RAP: 支架、轴承、中心轴、垫圈为钢制，滚轮为黑色聚酰胺 PA6+MoS
处理 RAU: 支架为烤炉涂漆，金属部分为镀锌钢。RAP: 支架为烤炉涂漆，金属部分为镀锌钢，滚轮车削 1.6。

应用 滚轮具 ZZ 润滑轴承。

MATERIALS RAU: Fork, bearings, pin, spacers, roller made of steel.
RAP: Fork, bearings, pin, spacers made of steel, roller made of black polyamide PA6+MoS.
TREATMENTS RAU: Fork oven painted, metallic components made of galvanized steel
RAP: Fork oven painted, metallic components made of galvanized steel, the roller is turned 1.6.
USE Roller with ZZ greased bearings.

* $\varnothing A$: 用于钢制滚轮 / For roller made of steel
 $\varnothing B$: 用于聚酰胺滚轮 / For roller made of polyamide

| 钢制滚轮 Roller set in steel | | | | | | | | | | | | | | 聚酰胺滚轮 Roller set in polyamide | | | |
|-----------------------------|----------|-------------------|-----------------|----|----|----|----|-----|-----|-------|-----|-----------------|------------|----------------------------------|----------|--------------------|------|
| 型号 Type | 编号 N° | * $\varnothing A$ | $\varnothing B$ | D | E | F | H | L | M | N | P | $\varnothing r$ | 尺寸 Size | 型号 Type | 编号 N° | 重量 Weight in Kg | |
| | | | | | | | | | | | | | | | | RAU | RAP |
| RAU 1 | AR070902 | 8 | 8 | 15 | 35 | 15 | 20 | 35 | 43 | 60 | M10 | 30 | 10 | RAP 1 | AR070886 | 0.26 | 0.18 |
| RAU 2/3 | AR070904 | 10 | 10 | 15 | 40 | 20 | 25 | 45 | 50 | 68 | M10 | 40 | 20/30 | RAP 2/3 | AR070888 | 0.56 | 0.38 |
| RAU 4 | AR070906 | 16 | 12 | 15 | 50 | 30 | 35 | 60 | 65 | 85 | M14 | 60 | 40 | RAP 4 | AR070890 | 1.36 | 1.15 |
| RAU 5 | AR070908 | 20 | 20 | 20 | 65 | 40 | 45 | 90 | 95 | 121.5 | M20 | 80 | 50 | RAP 5 | AR070892 | 3.59 | 2.66 |
| RAU 6 | AR070910 | 20 | 20 | 20 | 70 | 45 | 45 | 135 | 140 | 167 | M24 | 90 | 60 | RAP 6 | AR070894 | 5.95 | 4.35 |

| 工作区 Working field | | | | 工作区 Working field | | | |
|----------------------|-------------------------------|-----------------|---------------|----------------------|-------------------------------|-----------------|---------------|
| 型号 Type | \varnothing 滚轮 Roller | 最高转数 Max rpm | 轴承 Bearing | 型号 Type | \varnothing 滚轮 Roller | 最高转数 Max rpm | 轴承 Bearing |
| RAU 1 | 30 | 15000 | 608 | RAP 1 | 30 | 8000 | 608 |
| RAU 2/3 | 40 | 12000 | 6200 | RAP 2/3 | 40 | 8000 | 6200 |
| RAU 4 | 60 | 9500 | 6304 | RAP 4 | 60 | 6000 | 6301 |
| RAU 5 | 80 | 6500 | 6306 | RAP 5 | 80 | 5000 | 6304 |
| RAU 6 | 90 | 6500 | 6306 | RAP 6 | 90 | 4500 | 6304 |

在表中描述的转数为近似的。其应用根据使用方式、运转率及工作条件而评估。

The rpm indicated in the chart is approximate. The application must be considered according to the type of use, the service factor and the working conditions.